



THE FORD METER BOX COMPANY, INC.  
CERTIFIED TO ISO 9001:2015  
10002505

# Section C

10/2014

Web Revision 09/21/2018

# Ford Meter Boxes



# Contents

<b>Ford Yokebox, Long Yokebox, Gulfbox and Crescent Box Numbering System</b> .....	3
<b>Meter Box Installation</b> .....	4
<b>Ford Yokebox Information</b>	
Yokebox Specifications and Information .....	4
Ford Yokebox Lid Features and Options .....	5
Ford Yokebox Upper Section Features and Options .....	6
Ford Yokebox Valve Features and Options .....	7
Optional Cartridge Dual Check Valve .....	8
Ford Yokebox Dimensions .....	8
<b>Yokeboxes for 5/8" Meters</b>	
Extra Shallow, Center Line of Meter 5" Below Grade (for modern magnetic or multi-jet meters) .....	9
Shallow, Center Line of Meter 8" Below Grade .....	10 & 11
Deep, Center Line 10" Below Grade .....	12 & 13
<b>Yokeboxes for 5/8"x3/4" Meters</b>	
Extra Shallow, Center Line of Meter 5" Below Grade (for modern magnetic or multi-jet meters) .....	14 & 15
Shallow, Center Line 8" Below Grade .....	16 & 17
Deep, Center Line 10" Below Grade .....	18 & 19
Options and Accessories for 5/8" and 5/8"x3/4" Ball Valve and Key Valve Yokeboxes .....	20 & 21
Outlet Pieces, Upper Sections, Lids and Gaskets for Yokeboxes .....	21
Inlet Valves and Bases for Key Valve and Ball Valve Yokeboxes .....	22
Dual Check Valve Parts for Yokeboxes .....	22
<b>Golden Gate Box for 3/4" Meters</b> .....	23
<b>Ford Yokebox for 1" Meters</b> .....	24
<b>Long Yokebox Information</b>	
Ford Long Yokebox .....	25
Ford Long Yokebox Specifications and Information .....	26
<b>Ford Long Yokebox Features and Options</b>	
Upper Section, Lid Features and Options .....	27
Valve Features and Options .....	28 & 29
Long Yokebox Dimensions .....	29
<b>Long Yokeboxes for 5/8" Meters</b>	
Straight Inlet – Straight Outlet .....	30
Angle Inlet – Straight Outlet .....	31
Angle Inlet – Angle Outlet .....	32
<b>Long Yokeboxes for 5/8"x3/4" Meters</b>	
Straight Inlet – Straight Outlet .....	33
Angle Inlet – Straight Outlet .....	34
Angle Inlet – Angle Outlet .....	35
<b>Long Yokeboxes for 3/4" Meters</b>	
Options and Accessories for 5/8", 5/8"x3/4" and 3/4" Ford Long Yokebox .....	37
Parts for 5/8", 5/8"x3/4" and 3/4" Ford Long Yokebox .....	38
<b>Ford Long Yokeboxes for 1" Meters</b>	
Options, Accessories and Parts for 1" Ford Long Yokebox .....	40
<b>Ford Gulfboxes for 5/8" and 5/8"x3/4" Meters</b>	
Specifications and Information .....	41
Design Features and Specifications .....	42
Gulfboxes for 5/8" Meters .....	43
Ford Long Gulfboxes with Cartridge Dual Check Valve for 5/8" Meters .....	43
Gulfboxes for 5/8"x3/4" Meters .....	44
Ford Long Gulfboxes with Cartridge Dual Check Valve for 5/8"x3/4" Meters .....	44
Optional Items and Parts for Ford Gulfboxes .....	45
Parts for Ford Long Gulfboxes .....	46
<b>Ford Double Gulfboxes for 5/8" and 5/8"x3/4" Low-Profile Meters</b> .....	47 & 48
<b>Ford Double Gulfbox Parts and Options</b> .....	49
<b>Ford Long Double Gulfboxes for 5/8" and 5/8"x3/4" Meters</b> .....	50
<b>Ford Long Double Gulfbox Parts and Options</b> .....	51
<b>The Ford Protector Meter Box for 1-1/2" and 2" Meters</b> .....	52
<b>Ford Crescent Boxes</b>	
Features of Ford Crescent Boxes .....	53
Ford Crescent Boxes for 5/8", 5/8"x3/4", 3/4" and 1" Meters .....	54
Accessories and Parts for Crescent Boxes .....	55
<b>Warranty</b> .....	56

**Please Note:**

The Ford Meter Box Company considers the information in this catalog to be correct at the time of publication. Items and option availability, including specifications, are subject to change without notice. Please verify your product information is current.

Due to design improvements, product images in the catalog do not always reflect the most current design detail.

# FORD YOKEBOX, LONG YOKEBOX, GULFBOX AND CRESCENT BOX NUMBERING SYSTEM

## METER BOX TYPE

- CB** = Crescent Box
- DG** = Double Gulfbox
- DGHC** = Long Double Gulfbox with Cartridge Dual Check Valve
- G** = Gulfbox
- GHC** = Long Gulfbox with Cartridge Dual Check Valve
- LYLB** = Single Ball Valve Long Yokebox with Cartridge Dual Check Valve ◊
- LYLBB** = Double Ball Valve Long Yokebox with Cartridge Dual Check Valve ◊
- LYLV** = Single Key Valve Long Yokebox with Cartridge Dual Check Valve ◊
- LYLVV** = Double Key Valve Long Yokebox with Cartridge Dual Check Valve ◊
- YL** = Shallow Yokebox ◊
- YLB** = Shallow Ball Valve Yokebox ◊
- YLBHC** = Shallow Ball Valve Yokebox with Cartridge Dual Check Valve ◊
- YLHC** = Shallow Yokebox with Cartridge Dual Check Valve ◊
- YM** = Deep Yokebox
- YMB** = Deep Ball Valve Yokebox
- YMBHC** = Deep Ball Valve Yokebox with Cartridge Dual Check Valve
- YMHC** = Deep Yokebox with Cartridge Dual Check Valve
- YS** = Extra Shallow Key Valve Yokebox
- YSB** = Extra Shallow Ball Valve Yokebox
- YSBHC** = Extra Shallow Ball Valve Yokebox with Cartridge Dual Check Valve

## OPTIONAL

- G** = Grip Joint Connections
- K** = "Linesaver" Upper Body Casting
- LL** = Lockless Lid
- P** = Plastic Lid
- PB** = Plastic Lid with ERT Bracket (bracket option not for "YS" Yokebox)
- PLB** = Plastic Lid with Large ERT Bracket (bracket option not for "YS" Yokebox)
- P4** = 4" Plastic Riser
- RL** = Reading Lid (hinged cast iron flap)
- RW** = Reclaimed Water Lettering on Lid
- RWC** = Reclaimed Water Lettering on Purple Lid
- SP** = Spacer in Lieu of Dual Check Valve for Long Yokebox
- T** = Electronic Meter Reading Lid, 2" Hole
- TP** = Electronic Meter Reading Lid, 2" Hole with Removable Plug
- U-NA** = Ultra-Tite Compression (not assembled)

◊ For plastic upper section add a "P". Example: *LYLBP*

**P** = Optional Plastic Upper Section, Shallow Boxes Only (LYL or YL Yokeboxes Only)

**JP** = Optional Enlarged Plastic Upper Section and Lid (YL or YM Yokebox Only)

### METER SIZE

- 1 = 5/8"
- 2 = 5/8"x3/4"
- 3 = 3/4"
- 4 = 1"

**YLB JP 1 2 2 - 2 3 3 - T - NL**

### SERVICE LINE POSITION

- 1 = Straight Inlet & Outlet
- 2 = Angle Inlet & Straight Outlet
- 3 = Angle Inlet & Outlet
- 4 = Straight Inlet & Angle Outlet

### TYPE OF INLET - OUTLET

- \*1 = Female Iron Pipe Threads or Double Purpose Connection
- 2 = Flare Copper Tube Nut
- 4 = Pack Joint for Plastic or Copper
- 5 = Pack Joint for Iron Pipe
- 6 = Pack Joint for PE Pipe
- 7 = Pack Joint for PVC Pipe (Schedule 40 & 80)
- 8 = Male Iron Pipe Threads

\*Only straight key valves have double purpose service line connections

### SIZE OF INLET - OUTLET

- 1 = 1/2"
- 2 = 5/8"
- 3 = 3/4"
- 4 = 1"

Note: See item listings in this catalog section to ensure desired sizes and options are available.

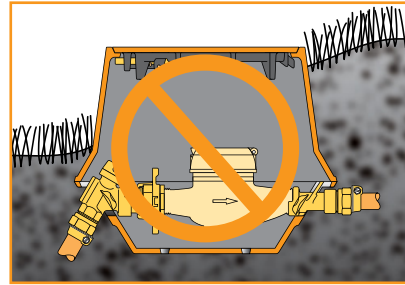
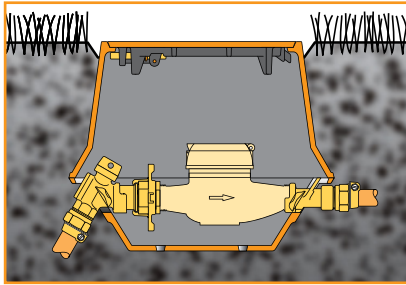
▲ Ford Meter Box no-lead brass products manufactured from UNS/CDA No. 89833 alloy shall contain no more than 0.25% total lead content by weight. United States federal and state laws allow the use of products manufactured from UNS C83600 85-5-5-5 brass alloy for only non-potable water systems within the United States. The same UNS C83600 85-5-5-5 brass alloy, also referenced as gunmetal or LG2, is specified and used in potable water systems in most other countries.

Remove "-NL" from catalog number to have products manufactured from UNS C83600 85-5-5-5 brass alloy.

Parties responsible for monitoring and maintaining proper water system design must exercise full responsibility in understanding the full intent and scope of applicable lead laws.

Ford offers many products listed to specific standards and classifications. Due to the forthcoming standards changes understood during the publication of this catalog, product listings will evolve to meet the changing standards requirements. Please contact the Ford Meter Box Customer Service Department at 260-563-3171 or local Ford distributor to verify a product meets a specific standard. Ford Meter Box meets your needs for products that are proven and reliable.

# Meter Box Installation, Maintenance and Safety



1. Backfill to make certain the grade is level with the top of the box. This will help avoid a tripping hazard.
2. Lock lid securely into place. Locking style lids are preferred to prevent unauthorized removal that could create a safety hazard. If a lockless style lid is specified, make certain it fits properly into the frame so it is not subject to sliding or tipping out of position. Ford lockless lids have extra long alignment lugs to help ensure proper lid placement.
3. Lids and meter boxes are designed as a compatible unit, and it is not a good practice to intermingle lids and boxes from various manufacturers. The incompatibility of components from other manufacturers could result in field complications and complaints. User assumes all risks of mixing another manufacturer's meter box components with Ford meter boxes.
4. Check on a regular basis to ensure proper operation of locking devices and to make certain the meter box lid remains at ground level. Replace damaged components immediately. Keep components free from debris to ensure the lid seats properly. Always make sure lids are properly seated after every use to avoid injury.

## Specifications and Information

### Yokeboxes for 5/8" and 5/8"x3/4" Meters

Yokeboxes are complete, compact meter-setting packages, which are installed as a unit. The iron body and the lid of the standard boxes are made from durable cast iron meeting ASTM A48 Class 25 (25,000 psi tensile strength) for decades of trouble-free service. The Yokebox provides automatic spacing and alignment for the meter, which can be inserted at any time during or after the installation of the meter box. The inlet, outlet and expansion connection are waterworks brass meeting the latest revision of AWWA Standard C800. The cartridge dual check valves have ASSE 1024 approval.



Yokeboxes are ideal water meter housings for moderate and warm climates. They offer the following valuable features:

1. **Protection** for the meter – protection for pedestrians because the lid locks firmly in place.
2. **Rapid** meter reading.
3. **Quality** Ford service valves – accessible and easily operated – designed for years of trouble-free service.
4. **Quick, easy, and wrench-free** meter changing.
5. **Deterrent** for unauthorized water use when the meter is removed
6. **Economical** installation, requiring only minimal excavation.



All standard meter boxes are manufactured from iron, ASTM A48, Class 25 (25,000 psi tensile strength).

#### Yokebox Features

**The Standard Yokebox includes three iron castings:** A base, an upper body casting and a locking lid. (an optional plastic upper section and lid are available on selective yokeboxes)

**Three brass items complete the Yokebox:** Inlet and outlet pieces and an expansion connection.

**The Yokebox is available in three depths** with dimensions of 5", 8", or 10" from ground surface to the center line of the meter.

**The largest variety of service line connections in the industry** is available for angle or horizontal service line positions.

**An optional ASSE approved cartridge dual check valve on the outlet** provides reliable and serviceable backflow protection and comes with the conventional types of service line connections for pipe and tubing.

**The Yokebox is available with either an inverted key valve or a ball valve design.** The valve position allows easy operation. The valve tee head is drilled and accepts an optional padlock plate to lock the valve in the closed or open position.

**The base keeps out dirt, mud, and pests, resulting in a cleaner meter.** Holes in the base provide drainage.

Yokeboxes are available to hold 5/8", 5/8"x3/4", 3/4" and 1" meters.

The Yokebox is available with an optional electronic meter reading lid. See page 5.

The Yokebox is available with an optional hinged meter reading lid. A hinged cast iron flap provides a view of the meter register without removing the Yokebox lid. See page 5.

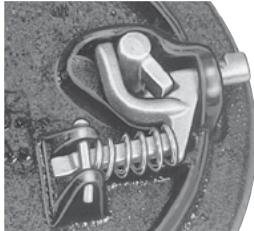
Yokebox Specifications and ordering information can be found on pages 5 - 24.

# Ford Yokebox Lid Features and Options



## Ford Plastic Lid for Yokebox

Ford's plastic locking lids for Yokeboxes (YLP) are a wise choice for AMR systems, as they permit easy transmission of AMR signals. The plastic lid is available with an optional ERT bracket (YLP-BR) that allows the mounting of most transponders to the underside of the lid. UV-resistant and slip-resistant, they are excellent for lawn applications, walkways or other non-vehicular traffic areas.



## Iron Lids for Ford Meter Boxes

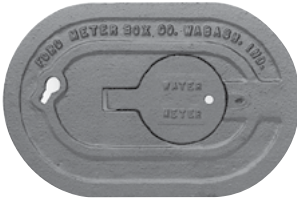
All Ford Iron Boxes offer the choice of standard iron locking lids or optional lockless lids.

The tamper-proof lock is shown (left) from the underside of the lid. It is operated with a special "double-action" key, model MBLK. As the key retracts the spring-loaded lock pin, it attaches to the lid and becomes a lifter handle. The optional lockless lid has a bar pick-up for easy removal with a screwdriver or a similar tool such as the Meter Box Universal Key, model MBUK.



## Ford Reclaimed Water Iron Lid Option

Ford Iron Lids are available with "RECLAIMED WATER" in raised lettering for use in nonpotable water systems. These lids come in the standard black, add "-RW" to the end of the catalog number, or with an optional purple epoxy coating, add "-RWC" for purple epoxy option, for easy identification. Example: YL144-233-RW-NL.



## Ford Meter Iron Reading Lid Option

Ford Iron Lids are available with a hinged cast iron flap, which when opened, provides a view of the water meter register. This option allows meter reading without removing the Yokebox lid. Add "-RL" to the end of the catalog number. Example: YL144-233-RL-NL.



## Ford Electronic Meter Reading Iron Lid Option

Ford Iron Lids are available with precast holes for electronic meter reading modules. This option is designated with a "-T" for a single hole cover. Add "-T" to the end of the catalog number. Example: YL144-233-T-NL. Add "-NPR" for a Maxi Pit Pro Read single hole cover.



## Ford Electronic Meter Reading Iron Lid with Removable Plug

An optional cast iron plug, removable for future electronic meter reading module installations, is available for all Ford Yokebox iron lids. This option is designated with a "-TP" for a single hole cover. Add "-TP" to the end of the catalog number. Example: YL144-233-TP-NL. A plastic plug is also available to improve transmission of AMR signals. Add "-PTP" to the end of the catalog number. Example: YL144-233-PTP-NL. For plastic plug with AMR bracket, add "-PTP-BR." See page C-20 for ordering information.

## Lid Plugs



Iron plug to seal lids with AMR holes



Plastic plug to seal AMR hole or improve AMR signal transmission



Plastic plug with AMR bracket

# Ford Yokebox Upper Section Features and Options



## Yokebox Enlarged Plastic Upper Section and Plastic Lid Option

Ford's Plastic Enlarged Yokebox Upper Section allows more space inside the meter box for ease of accessing the meter, or to include AMR components. The upper section, available in 7" or 9" heights (YJUC-7P or YJUC-9P), fits directly on the standard yokebox iron base or YBPR-4 riser, and uses the same fastening hardware as the standard yokebox. The compatible enlarged plastic lid (YJLP) is also available with an optional ERT bracket (YJLP-BR) for mounting most ERT transponders to the underside of the lid.



## Optional ABS Plastic Upper Section

Available for YL (shallow) Yokeboxes. A plastic upper section uses the same bolts as a standard iron upper section to connect to Yokebox base. Accepts both standard locking or lockless lids. Insert "P" into the catalog number. Example: YLP144-233-NL.



## Optional Grade Adjuster

The cast iron grade adjuster allows between 1-1/2" to 3" additional height to the grade level for a Yokebox or 2" - 3" for a Gulfbox after the initial installation. The unit attaches to the top of the box with stainless steel set screws and accepts both locking and lockless lids. Model: 9501

FYR-8 Cast Iron Riser



YBPR-4 Plastic Riser

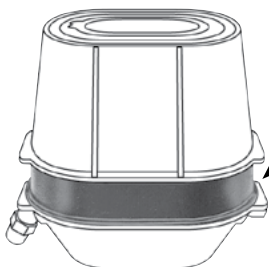
## Optional Yokebox Risers

Yokebox risers increase the height of Yokebox upper sections. Two riser types (not adjustable) are available. The FYR-8 cast iron riser adds 8" to the overall height of the box, while the YBPR-4 plastic riser adds 4" to the height. The plastic riser is placed between the bottom casting and the upper section and uses the same nuts and bolts supplied with the original box. The FYR-8 riser fits over the top of the upper section and is secured with two silicon bronze "J" bolts. These risers are particularly useful for grade changes in areas where installed boxes have had winter freeze-up problems.



## Optional "Linesaver" (Type K) Upper Body Casting

This cast iron push-off upper body casting will shift without disturbing the base or damaging the service line if accidentally bumped by earth moving equipment following installation. It fits over the standard Yokebox base and is held in position by a lip which extends over it rather than being bolted to the base. Its 7" height can be extended with elevator rings described below.



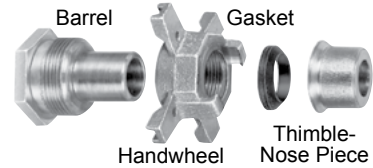
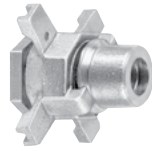
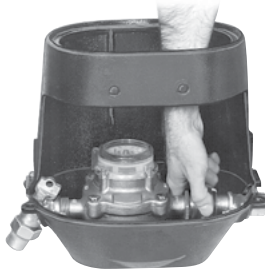
Type K Cast Iron Elevator Ring

## Elevator Ring (Type K) for Use With "Linesaver" Upper Body Casting

These cast iron rings are 3" in height and can be stacked between the upper and base units to achieve the desired height of setting. These **do not** adapt to bolted-type standard Yokeboxes. Please order by specifying catalog number 9509.

# Ford Yokebox Valve Features and Options

The inlet, outlet, and expansion connection are manufactured from waterworks brass meeting AWWA Standard C800 (latest revisions).



## The Expansion Connection

Every meter box includes the expansion connection, pioneered by Ford. It eliminates wrenches in the meter box during meter change-outs, permitting Ford Boxes to be smaller than ordinary concrete or plastic boxes.

**Options available** (see page 20 for applicable catalog number option codes)

## Locking Expansion Connection

A locking expansion connection (ECL-x-NL) is an easy way to secure the meter setting or prevent unauthorized removal of water meters. Once properly installed, a proprietary key is required to engage or disengage a proprietary security screw that recesses within the expansion connection. The security screw engages any one of several grooves on the barrel to prevent operation of the handwheel. The expansion connection is also available with or without Ford's proprietary security screw. (Utilities or municipalities may procure their own unique security screw pattern and access key. Contact the factory for more information.)

## Expansion Connection with Check Valve

This expansion connection is an easy and inexpensive way of incorporating a backflow preventer into an existing meter box, as compared to the traditional method of excavating the service. Options for 5/8" and 5/8"x3/4" expansion connections with dual checks are available. The 1" size has only one check valve available. All expansion connections with dual check valves are designed to withstand 150 psi maximum working water pressure and 180 degrees Fahrenheit maximum working water temperature. The expansion connection with check valve is also available with the locking feature.

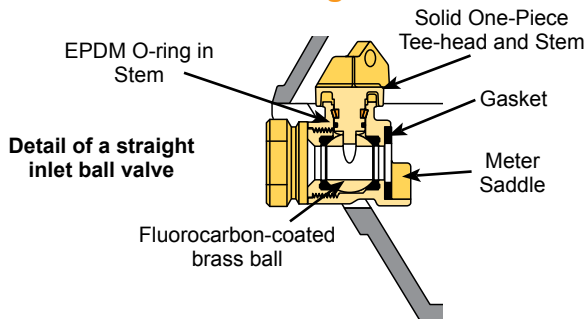


**Ball valve inlet connections are horizontal. Key valve inlet connections feature straight or angle configurations.** Various types of connections for pipe and tubing are available.

**The Ford Yokebox is available with a cartridge dual check valve (ASSE 1024 approved) on the outlet.** This optional feature provides for reliable backflow protection and comes with various types of connections for pipe and tubing. See next page.

**The inlet ball valve features** a solid one piece tee-head and stem. EPDM O-rings in the stem assure a watertight seal at the top. Molded EPDM rubber seats support the ball. The fluorocarbon-coated brass ball will provide years of maintenance free service.

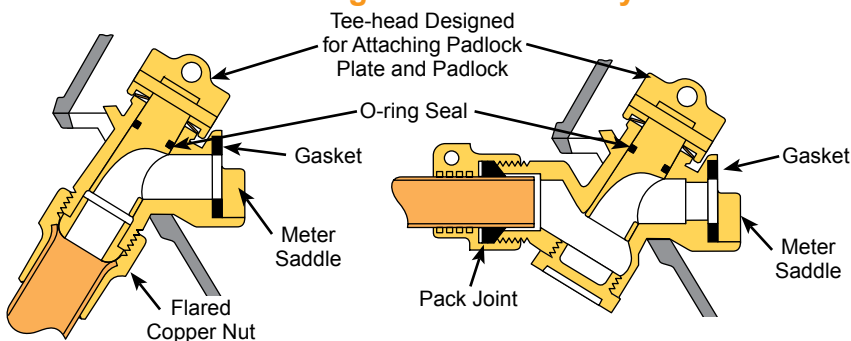
## Design Features of Ball Valves used in Ford Yokeboxes



The straight inlet ball valve features a solid one piece tee-head and stem. An EPDM O-ring on the stem assures a watertight seal at the top. Molded EPDM rubber seats support the ball. The fluorocarbon coated brass ball will provide years of maintenance free service.

A variety of inlet and outlet couplings are available, including grip joints for copper or plastic tubing as well as pack joints for copper or plastic tubing, PVC and PE pipe, or I.P.

## Design Features of Key Valves used in Ford Yokeboxes



Details of angle and straight key valves

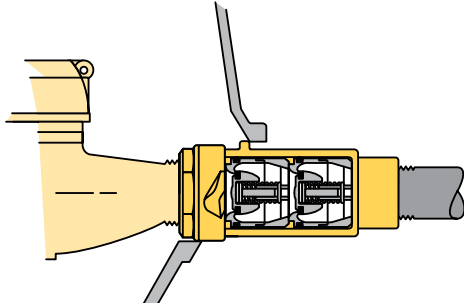
The inverted key valve holds the key securely in place under spring tension provided by two silicon bronze spring washers. An O-ring provides additional leakage protection. Angle valves are 60° from horizontal.

A variety of service line connections are available; namely grip joints for copper or plastic tubing or PE pipe, pack joints for copper or plastic tubing, PVC and PE pipe, and double purpose couplings (union swivels for iron pipe or flared copper).

# Ford Yokebox Features and Options

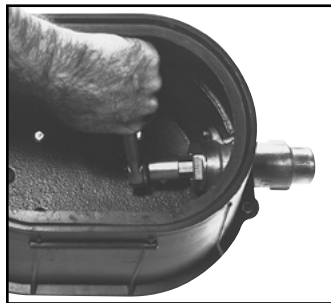
(see Long Yokebox and Long Gulfbox for removable cartridge dual check valves)

## Optional Mounted Cartridge Dual Check Valve - ASSE 1024 Approved



Detail of a Yokebox cartridge dual check valve

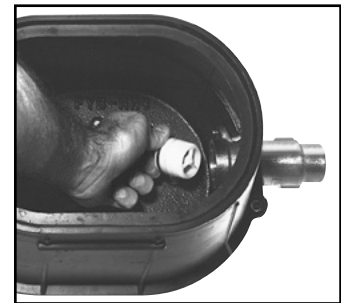
The Ford Cartridge Style Dual Check Valve is available for 5", 8" and 10" deep Yokeboxes. This design places the cartridge dual check valve outside the box (see photo below). This provides easy access to the cartridges for maintenance from the interior of the Yokebox while limiting the "clutter" of resetting devices inside traditional Yokeboxes.



An internal drive socket or wrench fits the access cap.



The access cap is removed.



Dual cartridges are now easily accessible.

### Yokebox Dimensions

**The Standard Yokebox includes three iron castings:**

1. A base.
2. An upper body casting.
3. A locking lid. (lockless iron lids are optional)

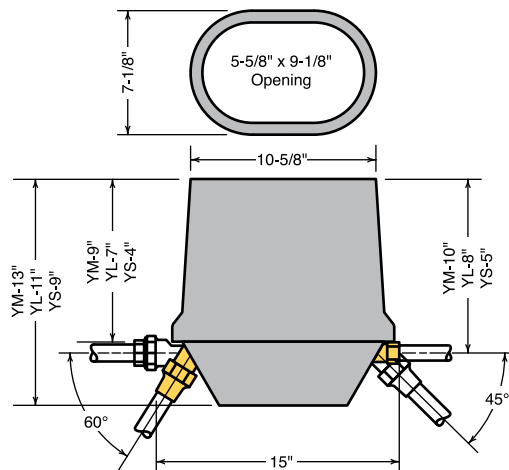
(plastic upper section and plastic locking lids are available for YL and YM styles)

**The Standard Yokebox is made in three depths** with dimensions of 5", 8", or 10" from ground surface to the center line of the meter.

**The inlet valve** can be straight inverted key or ball valve design, or angle inverted key design. The outlet connections can be at an angle or horizontal. A straight cartridge dual check valve on the outlet of the box is also available. Various types of connections for pipe and tubing are available.



The base keeps out dirt, mud, and pests, resulting in a cleaner meter. Holes in the base provide drainage.





# Ford Yokeboxes for 5/8" Meters

Extra Shallow for Modern Magnetic or Multi-jet Meters  
Center Line of Meter 5" Below Grade



## STRAIGHT BALL VALVE INLET - STRAIGHT OUTLET

CATALOG NUMBER	DESCRIPTION		APPROX. WT. LBS.
	INLET	OUTLET	
YSB111-133-NL	3/4" Female Iron Pipe Threads	3/4" Female Iron Pipe Threads	29.0
YSB122-133-NL	3/4" Flared Copper	3/4" Flared Copper	29.0
▶ YSB141-133-NL	3/4" Pack Joint for Copper or Plastic Tubing (CTS)*	3/4" Female Iron Pipe Threads	29.0
▶ YSB144-133-NL	3/4" Pack Joint for Copper or Plastic Tubing (CTS)*	3/4" Pack Joint for Copper or Plastic Tubing (CTS)*	29.0

## STRAIGHT KEY VALVE INLET - STRAIGHT OUTLET

CATALOG NUMBER	DESCRIPTION		APPROX. WT. LBS.
	INLET	OUTLET	
YS111-133-NL	3/4" Double Purpose**	3/4" Female Iron Pipe Threads	29.0
YS112-133-NL	3/4" Double Purpose**	3/4" Flared Copper	29.0
YS122-111-NL	1/2" Flared Copper	1/2" Flared Copper	27.0
▶ YS141-133-NL	3/4" Pack Joint for Copper or Plastic Tubing (CTS)*	3/4" Female Iron Pipe Threads	28.0
YS144-111-NL	1/2" Pack Joint for Copper or Plastic Tubing (CTS)	1/2" Pack Joint for Copper or Plastic Tubing (CTS)	29.0
▶ YS144-133-NL	3/4" Pack Joint for Copper or Plastic Tubing (CTS)*	3/4" Pack Joint for Copper or Plastic Tubing (CTS)*	28.0

## STRAIGHT BALL VALVE INLET - STRAIGHT DUAL CHECK OUTLET

CATALOG NUMBER	DESCRIPTION		APPROX. WT. LBS.
	INLET	OUTLET	
YSBHC111-133-NL	3/4" Female Iron Pipe Threads	3/4" Female Iron Pipe Threads	30.0
YSBHC122-133-NL	3/4" Flare Copper	3/4" Flare Copper	30.0
▶ YSBHC141-133-NL	3/4" Pack Joint for Copper or Plastic Tubing (CTS)*	3/4" Female Iron Pipe Threads	30.0
▶ YSBHC144-133-NL	3/4" Pack Joint for Copper or Plastic Tubing (CTS)*	3/4" Pack Joint for Copper or Plastic Tubing (CTS)*	30.0

## ANGLE KEY VALVE INLET - STRAIGHT OUTLET

CATALOG NUMBER	DESCRIPTION		APPROX. WT. LBS.
	INLET	OUTLET	
YS221-133-NL	3/4" Flare Copper	3/4" Female Iron Pipe Threads	28.0
YS222-133-NL	3/4" Flare Copper	3/4" Flare Copper	27.0
▶ YS241-133-NL	3/4" Pack Joint for Copper or Plastic Tubing (CTS)*	3/4" Female Iron Pipe Threads	28.0
▶ YS242-133-NL	3/4" Pack Joint for Copper or Plastic Tubing (CTS)*	3/4" Flare Copper	28.0
▶ YS244-133-NL	3/4" Pack Joint for Copper or Plastic Tubing (CTS)*	3/4" Pack Joint for Copper or Plastic Tubing (CTS)*	28.0

## ANGLE KEY VALVE INLET - ANGLE OUTLET

CATALOG NUMBER	DESCRIPTION		APPROX. WT. LBS.
	INLET	OUTLET	
YS322-133-NL	3/4" Flare Copper	3/4" Flare Copper	28.0
▶ YS342-133-NL	3/4" Pack Joint for Copper or Plastic Tubing (CTS)*	3/4" Flare Copper	28.0

## Ordering Information

- \* **Grip Joint** for CTS is available. Add "-G" to the catalog number.
  - \*\* **The Double Purpose Coupling** connects to either 3/4" threaded iron pipe or 3/4" flared copper tubing.
  - ▶ **Ultra-Tite** is available. Add "U-NA" to the catalog number (shipped unassembled).
- Yokeboxes are available with locking plastic lids, add "-P" to the catalog number. Example: YS144-133-P-NL
- Gaskets are furnished – Flat gaskets for valve and outlet saddles; beveled and flat gaskets for expansion connections.
- Brass end fittings are permanently and properly spaced and aligned for the meter.

### Options Available

Special expansion connection options are available. See pages 7 and 20.

# Ford Yokeboxes for 5/8" Meters

Shallow, Center Line of Meter 8" Below Grade  
Straight Inlet



## STRAIGHT BALL VALVE INLET - STRAIGHT OUTLET

CATALOG NUMBER	DESCRIPTION		APPROX. WT. LBS.
	INLET	OUTLET	
YLB111-133-NL	3/4" Female Iron Pipe Threads	3/4" Female Iron Pipe Threads	35.0
YLB122-133-NL	3/4" Flare Copper	3/4" Flare Copper	35.0
▶ YLB141-133-NL	3/4" Pack Joint for Copper or Plastic Tubing (CTS)*	3/4" Female Iron Pipe Threads	35.0
▶ YLB144-133-NL	3/4" Pack Joint for Copper or Plastic Tubing (CTS)*	3/4" Pack Joint for Copper or Plastic Tubing (CTS)*	35.0

## STRAIGHT KEY VALVE INLET - STRAIGHT OUTLET

CATALOG NUMBER	DESCRIPTION		APPROX. WT. LBS.
	INLET	OUTLET	
YL111-133-NL	3/4" Double Purpose**	3/4" Female Iron Pipe Threads	35.0
YL112-133-NL	3/4" Double Purpose**	3/4" Flare Copper	36.0
YL122-111-NL	1/2" Flare Copper	1/2" Flare Copper	34.0
▶ YL141-133-NL	3/4" Pack Joint for Copper or Plastic Tubing (CTS)*	3/4" Female Iron Pipe Threads	35.0
YL144-111-NL	1/2" Pack Joint for Copper or Plastic Tubing (CTS)	1/2" Pack Joint for Copper or Plastic Tubing (CTS)	35.0
▶ YL144-133-NL	3/4" Pack Joint for Copper or Plastic Tubing (CTS)*	3/4" Pack Joint for Copper or Plastic Tubing (CTS)*	35.0

## STRAIGHT BALL VALVE INLET - STRAIGHT DUAL CHECK OUTLET

CATALOG NUMBER	DESCRIPTION		APPROX. WT. LBS.
	INLET	OUTLET	
YLBHC111-133-NL	3/4" Female Iron Pipe Threads	3/4" Female Iron Pipe Threads	36.0
YLBHC122-133-NL	3/4" Flare Copper	3/4" Flare Copper	36.0
▶ YLBHC141-133-NL	3/4" Pack Joint for Copper or Plastic Tubing (CTS)*	3/4" Female Iron Pipe Threads	36.0
▶ YLBHC144-133-NL	3/4" Pack Joint for Copper or Plastic Tubing (CTS)*	3/4" Pack Joint for Copper or Plastic Tubing (CTS)*	36.0

## STRAIGHT KEY VALVE INLET - STRAIGHT DUAL CHECK OUTLET

CATALOG NUMBER	DESCRIPTION		APPROX. WT. LBS.
	INLET	OUTLET	
▶ YLHC141-133-NL	3/4" Pack Joint for Copper or Plastic Tubing (CTS)*	3/4" Female Iron Pipe Threads	39.0

## Ordering Information

\* **Grip Joint** for CTS is available. Add "-G" to the catalog number.

\*\* **The Double Purpose Coupling** connects to either 3/4" threaded iron pipe or 3/4" flared copper tubing.

▶ **Ultra-Tite** is available. Add "U-NA" to the catalog number (shipped unassembled).

Gaskets are furnished – Flat gaskets for valve and outlet saddles; beveled and flat gaskets for expansion connections.

Brass end fittings are permanently and properly spaced and aligned for the meter.

See page 5 and 6 for details on the following options:

**Plastic Upper Section** (7" high) for all YL (shallow) Yokeboxes, add "-P" to the end of catalog alpha code. (Example: YLP111-133-NL) (deduct 12 lbs. from approximate shipping weight)

**Plastic Locking Lid**, add "-P" to the catalog number. Example: YL144-133-P-NL

**Plastic Locking Lid with ERT Bracket**, add "-PB" to the catalog number. Example: YL144-133-PB-NL. For large bracket: YL144-133-PLB-NL.

**Plastic Enlarged Upper Section**, (7" high) with enlarged plastic lid for any YL (shallow) Yokebox is available. Insert "-JP" to the end of the alpha code and "-P" to the catalog number. Example: YLJP144-133-P-NL

If ERT bracket is required, add "-PB" to the catalog number. Example: YLJP144-133-PB-NL (deduct 15 lbs. from approximate shipping weight)

Special expansion connection options are available. See pages 7 and 20.

# Ford Yokeboxes for 5/8" Meters

Shallow, Center Line of Meter 8" Below Grade  
Angle Inlet



## ANGLE KEY VALVE INLET - STRAIGHT OUTLET

CATALOG NUMBER	DESCRIPTION		APPROX. WT. LBS.
	INLET	OUTLET	
YL221-133-NL	3/4" Flare Copper	3/4" Female Iron Pipe Threads	35.0
YL222-133-NL	3/4" Flare Copper	3/4" Flare Copper	34.0
▶ YL241-133-NL	3/4" Pack Joint for Copper or Plastic Tubing (CTS)*	3/4" Female Iron Pipe Threads	35.0
▶ YL242-133-NL	3/4" Pack Joint for Copper or Plastic Tubing (CTS)*	3/4" Flare Copper	35.0
▶ YL244-133-NL	3/4" Pack Joint for Copper or Plastic Tubing (CTS)*	3/4" Pack Joint for Copper or Plastic Tubing (CTS)*	35.0

## ANGLE KEY VALVE INLET - STRAIGHT DUAL CHECK OUTLET

CATALOG NUMBER	DESCRIPTION		APPROX. WT. LBS.
	INLET	OUTLET	
YLHC221-133-NL	3/4" Flare Copper	3/4" Female Iron Pipe Threads	39.0
YLHC222-133-NL	3/4" Flare Copper	3/4" Flare Copper	39.0
▶ YLHC241-133-NL	3/4" Pack Joint for Copper or Plastic Tubing (CTS)*	3/4" Female Iron Pipe Threads	39.0
▶ YLHC244-133-NL	3/4" Pack Joint for Copper or Plastic Tubing (CTS)*	3/4" Pack Joint for Copper or Plastic Tubing (CTS)*	39.0

## ANGLE KEY VALVE INLET - ANGLE OUTLET

CATALOG NUMBER	DESCRIPTION		APPROX. WT. LBS.
	INLET	OUTLET	
YL322-133-NL	3/4" Flare Copper	3/4" Flare Copper	36.0
▶ YL342-133-NL	3/4" Pack Joint for Copper or Plastic Tubing (CTS)*	3/4" Flare Copper	35.0

## Ordering Information

\* **Grip Joint** for CTS is available. Add "-G" to the catalog number.

▶ **Ultra-Tite** is available. Add "U-NA" to the catalog number (shipped unassembled).

Gaskets are furnished – Flat gaskets for valve and outlet saddles; beveled and flat gaskets for expansion connections.

Brass end fittings are permanently and properly spaced and aligned for the meter.

See page 5 and 6 for details on the following options:

**Plastic Upper Section** (7" high) for all YL (shallow) Yokeboxes, add "-P" to the end of catalog alpha code. (Example: YLP244-133-NL) (deduct 12 lbs. from approximate shipping weight)

**Plastic Locking Lid**, add "-P" to the catalog number. Example: YL244-133-P-NL

**Plastic Locking Lid with ERT Bracket**, add "-PB" to the catalog number. Example: YL244-133-PB-NL.

For large bracket: YL244-133-PLB-NL.

**Plastic Enlarged Upper Section**, (7" high) with enlarged plastic lid for any YL (shallow) Yokebox is available. Insert "-JP" to the end of the alpha code and "-P" to the catalog number. Example: YLJP244-133-P-NL

If ERT bracket is required, add "-PB" to the catalog number. Example: YLJP244-133-PB-NL (deduct 15 lbs. from approximate shipping weight)

Special expansion connection options are available. See pages 7 and 20.

# Ford Yokeboxes for 5/8" Meters

Deep, Center Line of Meter 10" Below Grade  
Straight Inlet



## STRAIGHT BALL VALVE INLET - STRAIGHT OUTLET

CATALOG NUMBER	DESCRIPTION		APPROX. WT. LBS.
	INLET	OUTLET	
YMB111-133-NL	3/4" Female Iron Pipe Threads	3/4" Female Iron Pipe Threads	35.0
YMB122-133-NL	3/4" Flare Copper	3/4" Flare Copper	35.0
▶ YMB141-133-NL	3/4" Pack Joint for Copper or Plastic Tubing (CTS)*	3/4" Female Iron Pipe Threads	35.0
▶ YMB144-133-NL	3/4" Pack Joint for Copper or Plastic Tubing (CTS)*	3/4" Pack Joint for Copper or Plastic Tubing (CTS)*	35.0

## STRAIGHT KEY VALVE INLET - STRAIGHT OUTLET

CATALOG NUMBER	DESCRIPTION		APPROX. WT. LBS.
	INLET	OUTLET	
YM111-133-NL	3/4" Double Purpose**	3/4" Female Iron Pipe Threads	35.0
YM112-133-NL	3/4" Double Purpose**	3/4" Flare Copper	35.0
YM122-111-NL	1/2" Flare Copper	1/2" Flare Copper	35.0
▶ YM141-133-NL	3/4" Pack Joint for Copper or Plastic Tubing (CTS)*	3/4" Female Iron Pipe Threads	35.0
▶ YM144-111-NL	1/2" Pack Joint for Copper or Plastic Tubing (CTS)	1/2" Pack Joint for Copper or Plastic Tubing (CTS)	35.0
▶ YM144-133-NL	3/4" Pack Joint for Copper or Plastic Tubing (CTS)*	3/4" Pack Joint for Copper or Plastic Tubing (CTS)*	35.0

## STRAIGHT BALL VALVE INLET - STRAIGHT DUAL CHECK OUTLET

CATALOG NUMBER	DESCRIPTION		APPROX. WT. LBS.
	INLET	OUTLET	
YMBHC111-133-NL	3/4" Female Iron Pipe Threads	3/4" Female Iron Pipe Threads	36.0
YMBHC122-133-NL	3/4" Flare Copper	3/4" Flare Copper	36.0
▶ YMBHC141-133-NL	3/4" Pack Joint for Copper or Plastic Tubing (CTS)*	3/4" Female Iron Pipe Threads	36.0
▶ YMBHC144-133-NL	3/4" Pack Joint for Copper or Plastic Tubing (CTS)*	3/4" Pack Joint for Copper or Plastic Tubing (CTS)*	36.0

## STRAIGHT KEY VALVE INLET - STRAIGHT DUAL CHECK OUTLET

CATALOG NUMBER	DESCRIPTION		APPROX. WT. LBS.
	INLET	OUTLET	
YMHC141-133-NL	3/4" Pack Joint for Copper or Plastic Tubing (CTS)*	3/4" Female Iron Pipe Threads	40.0

## Ordering Information

\* **Grip Joint** for CTS is available. Add "-G" to the catalog number.

\*\* **The Double Purpose Coupling** connects to either 3/4" threaded iron pipe or 3/4" flared copper tubing.

▶ **Ultra-Tite** is available. Add "U-NA" to the catalog number (shipped unassembled).

Gaskets are furnished – Flat gaskets for valve and outlet saddles; beveled and flat gaskets for expansion connections.

Brass end fittings are permanently and properly spaced and aligned for the meter.

See page 5 and 6 for details on the following options:

**Plastic Locking Lid**, add "-P" to the catalog number. Example: YM144-133-P-NL

**Plastic Locking Lid with ERT Bracket**, add "-PB" to the catalog number. Example: YM144-133-PB-NL.

For large bracket: YM144-133-PLB-NL.

**Plastic Enlarged Upper Section**, (9" high) with enlarged plastic lid for any YM (deep) Yokebox is available. Insert "-JP" to the end of the alpha code and "-P" to the catalog number. Example: YMJP144-133-P-NL

If ERT bracket is required, add "-PB" to the catalog number. Example: YMJP144-133-PB-NL (deduct 15 lbs. from approximate shipping weight)

Special expansion connection options are available. See pages 7 and 20.

# Ford Yokeboxes for 5/8" Meters

Deep, Center Line of Meter 10" Below Grade  
Angle Inlet



Meter Box Lid Key (MBLK)  
sold separately

## ANGLE KEY VALVE INLET - STRAIGHT OUTLET

CATALOG NUMBER	DESCRIPTION		APPROX. WT. LBS.
	INLET	OUTLET	
YM221-133-NL	3/4" Flare Copper	3/4" Female Iron Pipe Threads	35.0
YM222-133-NL	3/4" Flare Copper	3/4" Flare Copper	35.0
▶ YM241-133-NL	3/4" Pack Joint for Copper or Plastic Tubing (CTS)*	3/4" Female Iron Pipe Threads	35.0
▶ YM242-133-NL	3/4" Pack Joint for Copper or Plastic Tubing (CTS)*	3/4" Flare Copper	35.0
▶ YM244-133-NL	3/4" Pack Joint for Copper or Plastic Tubing (CTS)*	3/4" Pack Joint for Copper or Plastic Tubing (CTS)*	35.0

## ANGLE KEY VALVE INLET - STRAIGHT DUAL CHECK OUTLET

CATALOG NUMBER	DESCRIPTION		APPROX. WT. LBS.
	INLET	OUTLET	
YMHC221-133-NL	3/4" Flare Copper	3/4" Female Iron Pipe Threads	40.0
YMHC222-133-NL	3/4" Flare Copper	3/4" Flare Copper	40.0
▶ YMHC241-133-NL	3/4" Pack Joint for Copper or Plastic Tubing (CTS)*	3/4" Female Iron Pipe Threads	40.0
▶ YMHC244-133-NL	3/4" Pack Joint for Copper or Plastic Tubing (CTS)*	3/4" Pack Joint for Copper or Plastic Tubing (CTS)*	40.0

## ANGLE KEY VALVE INLET - ANGLE OUTLET

CATALOG NUMBER	DESCRIPTION		APPROX. WT. LBS.
	INLET	OUTLET	
YM322-133-NL	3/4" Flare Copper	3/4" Flare Copper	35.0
▶ YM344-133-NL	3/4" Pack Joint for Copper or Plastic Tubing (CTS)*	3/4" Pack Joint for Copper or Plastic Tubing (CTS)*	35.0

## Ordering Information

\* **Grip Joint** for CTS is available. Add "-G" to the catalog number.

▶ **Ultra-Tite** is available. Add "U-NA" to the catalog number (shipped unassembled).

Gaskets are furnished – Flat gaskets for valve and outlet saddles; beveled and flat gaskets for expansion connections.

Brass end fittings are permanently and properly spaced and aligned for the meter.

See page 5 and 6 for details on the following options:

**Plastic Locking Lid**, add "-P" to the catalog number. Example: YM244-133-P-NL

**Plastic Locking Lid with ERT Bracket**, add "-PB" to the catalog number. Example: YM244-133-PB-NL.

For large bracket: YM244-133-PLB-NL.

**Plastic Enlarged Upper Section**, (9" high) with enlarged plastic lid for any YM (deep) Yokebox is available. Insert "-JP" to the end of the alpha code and "-P" to the catalog number. Example: YMJP244-133-P-NL

If ERT bracket is required, add "-PB" to the catalog number. Example: YMJP244-133-PB-NL  
(deduct 15 lbs. from approximate shipping weight)

Special expansion connection options are available. See pages 7 and 20.

# Ford Yokeboxes for 5/8"x3/4" Meters

Extra Shallow, for Modern Magnetic or Multi-jet Meters

Center Line of Meter 5" Below Grade

Straight Inlet



## STRAIGHT BALL VALVE INLET - STRAIGHT OUTLET

CATALOG NUMBER	DESCRIPTION		APPROX. WT. LBS.
	INLET	OUTLET	
YSB111-233-NL	3/4" Female Iron Pipe Threads	3/4" Female Iron Pipe Threads	29.0
YSB122-233-NL	3/4" Flare Copper	3/4" Flare Copper	26.0
▶ YSB141-233-NL	3/4" Pack Joint for Copper or Plastic Tubing (CTS)*	3/4" Female Iron Pipe Threads	29.0
▶ YSB144-233-NL	3/4" Pack Joint for Copper or Plastic Tubing (CTS)*	3/4" Pack Joint for Copper or Plastic Tubing (CTS)*	29.0

## STRAIGHT KEY VALVE INLET - STRAIGHT OUTLET

CATALOG NUMBER	DESCRIPTION		APPROX. WT. LBS.
	INLET	OUTLET	
YS111-233-NL	3/4" Double Purpose**	3/4" Female Iron Pipe Threads	29.0
YS112-233-NL	3/4" Double Purpose**	3/4" Flare Copper	29.0
YS141-233-NL	3/4" Pack Joint for Copper or Plastic Tubing (CTS)*	3/4" Female Iron Pipe Threads	28.0
YS141-243-NL	1" Pack Joint for Copper or Plastic Tubing (CTS)*	3/4" Female Iron Pipe Threads	27.0
▶ YS144-233-NL	3/4" Pack Joint for Copper or Plastic Tubing (CTS)*	3/4" Pack Joint for Copper or Plastic Tubing (CTS)*	28.0
▶ YS161-233-NL	3/4" Pack Joint for PE Pipe*	3/4" Female Iron Pipe Threads	27.0
▶ YS164-233-NL	3/4" Pack Joint for PE Pipe*	3/4" Pack Joint for Copper or Plastic Tubing (CTS)*	28.0
YS171-233-NL	3/4" Pack Joint for PVC Pipe	3/4" Female Iron Pipe Threads	28.0
YS177-233-NL	3/4" Pack Joint for PVC Pipe	3/4" Pack Joint for PVC Pipe	27.0

## STRAIGHT BALL VALVE INLET - STRAIGHT DUAL CHECK OUTLET

CATALOG NUMBER	DESCRIPTION		APPROX. WT. LBS.
	INLET	OUTLET	
YSBHC111-233-NL	3/4" Female Iron Pipe Threads	3/4" Female Iron Pipe Threads	30.0
YSBHC122-233-NL	3/4" Flare Copper	3/4" Flare Copper	30.0
▶ YSBHC141-233-NL	3/4" Pack Joint for Copper or Plastic Tubing (CTS)*	3/4" Female Iron Pipe Threads	30.0
▶ YSBHC144-233-NL	3/4" Pack Joint for Copper or Plastic Tubing (CTS)*	3/4" Pack Joint for Copper or Plastic Tubing (CTS)*	30.0
YSBHC147-233-NL	3/4" Pack Joint for Copper or Plastic Tubing (CTS)*	3/4" Pack Joint for PVC Pipe	30.0

## Ordering Information

\* **Grip Joint** for CTS and PE Pipe is available. Add "-G" to the catalog number.

\*\* **The Double Purpose Coupling** connects to either 3/4" threaded iron pipe or 3/4" flared copper tubing.

▶ **Ultra-Tite** is available. Add "U-NA" to the catalog number (shipped unassembled).

Gaskets are furnished – Flat gaskets for valve saddles and outlet pieces; beveled and flat gaskets for expansion connections.

Brass end fittings are permanently and properly spaced and aligned for the meter.

Yokeboxes are available with locking plastic lids, add "-P" to the catalog number. Example: YS144-233-P-NL

Optional Lockless Iron Lid available. Add "-LL" to the catalog number.

Special expansion connection options are available. See pages 7 and 20.

# Ford Yokeboxes for 5/8"x3/4" Meters

Extra Shallow, for Modern Magnetic or Multi-jet Meters  
Center Line of Meter 5" Below Grade  
Angle Inlet



## ANGLE KEY VALVE INLET - STRAIGHT OUTLET

CATALOG NUMBER	DESCRIPTION		APPROX. WT. LBS.
	INLET	OUTLET	
YS221-233-NL	3/4" Flare Copper	3/4" Female Iron Pipe Threads	28.0
YS222-233-NL	3/4" Flare Copper	3/4" Flare Copper	27.0
▶♦ YS241-233-NL	3/4" Pack Joint for Copper or Plastic Tubing (CTS)*	3/4" Female Iron Pipe Threads	28.0
YS241-243-NL	1" Pack Joint for Copper or Plastic Tubing (CTS)*	3/4" Female Iron Pipe Threads	27.0
▶♦ YS242-233-NL	3/4" Pack Joint for Copper or Plastic Tubing (CTS)*	3/4" Flare Copper	28.0
▶ YS244-233-NL	3/4" Pack Joint for Copper or Plastic Tubing (CTS)*	3/4" Pack Joint for Copper or Plastic Tubing (CTS)*	28.0
▶ YS261-233-NL	3/4" Pack Joint for PE Pipe*	3/4" Female Iron Pipe Threads	27.0
▶ YS262-233-NL	3/4" Pack Joint for PE Pipe*	3/4" Flare Copper	28.0
▶ YS264-233-NL	3/4" Pack Joint for PE Pipe*	3/4" Pack Joint for Copper or Plastic Tubing (CTS)*	28.0

## ANGLE KEY VALVE INLET - ANGLE OUTLET

CATALOG NUMBER	DESCRIPTION		APPROX. WT. LBS.
	INLET	OUTLET	
YS322-233-NL	3/4" Flare Copper	3/4" Flare Copper	28.0
▶♦ YS342-233-NL	3/4" Pack Joint for Copper or Plastic Tubing (CTS)*	3/4" Flare Copper	28.0
▶ YS344-233-NL	3/4" Pack Joint for Copper or Plastic Tubing (CTS)*	3/4" Pack Joint for Copper or Plastic Tubing (CTS)*	28.0

## Ordering Information

- ♦ **Quick Joint** is available. Add "-Q" to the catalog number.
  - \* **Grip Joint** for CTS and PE Pipe is available. Add "-G" to the catalog number.
  - ▶ **Ultra-Tite** is available. Add "U-NA" to the catalog number (shipped unassembled).
- Gaskets are furnished – Flat gaskets for valve saddles and outlet pieces; beveled and flat gaskets for expansion connections.
- Brass end fittings are permanently and properly spaced and aligned for the meter.
- Yokeboxes are available with plastic lids, add "-P" to the catalog number. Example: YS244-233-P-NL
- Optional Lockless Iron Lid available. Add "-LL" to the catalog number.
- Special expansion connection options are available. See pages 7 and 20.

# Ford Yokeboxes for 5/8"x3/4" Meters

Shallow, Center Line of Meter 8" Below Grade  
Straight Inlet



## STRAIGHT BALL VALVE INLET - STRAIGHT OUTLET

CATALOG NUMBER	DESCRIPTION		APPROX. WT. LBS.
	INLET	OUTLET	
YLB111-233-NL	3/4" Female Iron Pipe Threads	3/4" Female Iron Pipe Threads	35.0
YLB122-233-NL	3/4" Double Purpose**	3/4" Flare Copper	35.0
▶ YLB141-233-NL	3/4" Pack Joint for Copper or Plastic Tubing (CTS)*	3/4" Female Iron Pipe Threads	35.0
▶ YLB144-233-NL	3/4" Pack Joint for Copper or Plastic Tubing (CTS)*	3/4" Pack Joint for Copper or Plastic Tubing (CTS)*	35.0

## STRAIGHT KEY VALVE INLET - STRAIGHT OUTLET

CATALOG NUMBER	DESCRIPTION		APPROX. WT. LBS.
	INLET	OUTLET	
YL111-233-NL	3/4" Double Purpose**	3/4" Female Iron Pipe Threads	36.0
YL112-233-NL	3/4" Double Purpose**	3/4" Flare Copper	36.0
▶ YL141-233-NL	3/4" Pack Joint for Copper or Plastic Tubing (CTS)*	3/4" Female Iron Pipe Threads	35.0
▶ YL141-243-NL	1" Pack Joint for Copper or Plastic Tubing (CTS)*	3/4" Female Iron Pipe Threads	34.0
▶ YL144-233-NL	3/4" Pack Joint for Copper or Plastic Tubing (CTS)*	3/4" Pack Joint for Copper or Plastic Tubing (CTS)*	35.0
▶ YL161-233-NL	3/4" Pack Joint for PE Pipe*	3/4" Female Iron Pipe Threads	34.0
▶ YL164-233-NL	3/4" Pack Joint for PE Pipe*	3/4" Pack Joint for Copper or Plastic Tubing (CTS)*	35.0
YL171-233-NL	3/4" Pack Joint for PVC Pipe	3/4" Female Iron Pipe Threads	35.0
YL177-233-NL	3/4" Pack Joint for PVC Pipe	3/4" Pack Joint for PVC Pipe	34.0

## STRAIGHT BALL VALVE INLET - STRAIGHT DUAL CHECK OUTLET

CATALOG NUMBER	DESCRIPTION		APPROX. WT. LBS.
	INLET	OUTLET	
YLBHC111-233-NL	3/4" Female Iron Pipe Threads	3/4" Female Iron Pipe Threads	36.0
YLBHC122-233-NL	3/4" Flare Copper	3/4" Flare Copper	36.0
▶ YLBHC141-233-NL	3/4" Pack Joint for Copper or Plastic Tubing (CTS)*	3/4" Female Iron Pipe Threads	36.0
▶ YLBHC144-233-NL	3/4" Pack Joint for Copper or Plastic Tubing (CTS)*	3/4" Pack Joint for Copper or Plastic Tubing (CTS)*	36.0
YLBHC147-233-NL	3/4" Pack Joint for Copper or Plastic Tubing (CTS)*	3/4" Pack Joint for PVC Pipe	36.0

## STRAIGHT KEY VALVE INLET - STRAIGHT DUAL CHECK OUTLET

CATALOG NUMBER	DESCRIPTION		APPROX. WT. LBS.
	INLET	OUTLET	
▶ YLHC141-233-NL	3/4" Pack Joint for Copper or Plastic Tubing (CTS)*	3/4" Female Iron Pipe Threads	39.0
YLHC147-233-NL	3/4" Pack Joint for Copper or Plastic Tubing (CTS)*	3/4" Pack Joint for PVC Pipe	39.0

Ford Pack Joints for PVC are recommended for Schedule 40 and Schedule 80 pipe only.

## Ordering Information

\* **Grip Joint** for CTS and PE Pipe is available. Add "-G" to the catalog number.

\*\* **The Double Purpose Coupling** connects to either 3/4" threaded iron pipe or 3/4" flared copper tubing.

▶ **Ultra-Tite** is available. Add "U-NA" to the catalog number (shipped unassembled).

Gaskets are furnished – Flat gaskets for valve and outlet saddles; beveled and flat gaskets for expansion connections.

Brass end fittings are permanently and properly spaced and aligned for the meter.

See page 5 and 6 for details on the following options:

**Plastic Upper Section** (7" high) for all YL (shallow) Yokeboxes, add "-P" to the end of catalog alpha code. (Example: YLP144-233-NL) (deduct 12 lbs. from approximate shipping weight)

**Plastic Locking Lid**, add "-P" to the catalog number. Example: YL144-233-P-NL

**Plastic Locking Lid with ERT Bracket**, add "-PB" to the catalog number. Example: YL144-233-PB-NL.

For large bracket: YL144-233-PLB-NL.

**Plastic Enlarged Upper Section**, (7." high) with enlarged plastic lid for any YL (shallow) Yokebox is available. Insert "-JP" to the end of the alpha code and "-P" to the catalog number. Example: YLJP144-233-P-NL

If ERT bracket is required, add "-PB" at the catalog number. Example: YLJP144-233-PB-NL (deduct 15 lbs. from approximate shipping weight)

Special expansion connection options are available. See pages 7 and 20.



# Ford Yokeboxes for 5/8"x3/4" Meters

Shallow, Center Line of Meter 8" Below Grade  
Angle Inlet



## ANGLE KEY VALVE INLET - STRAIGHT OUTLET

CATALOG NUMBER	DESCRIPTION		APPROX. WT. LBS.
	INLET	OUTLET	
YL221-233-NL	3/4" Flare Copper	3/4" Female Iron Pipe Threads	35.0
YL222-233-NL	3/4" Flare Copper	3/4" Flare Copper	34.0
▶♦ YL241-233-NL	3/4" Pack Joint for Copper or Plastic Tubing (CTS)*	3/4" Female Iron Pipe Threads	35.0
YL241-243-NL	1" Pack Joint for Copper or Plastic Tubing (CTS)*	3/4" Female Iron Pipe Threads	34.0
▶♦ YL242-233-NL	3/4" Pack Joint for Copper or Plastic Tubing (CTS)*	3/4" Flare Copper	35.0
▶ YL244-233-NL	3/4" Pack Joint for Copper or Plastic Tubing (CTS)*	3/4" Pack Joint for Copper or Plastic Tubing (CTS)*	35.0
▶ YL261-233-NL	3/4" Pack Joint for PE Pipe*	3/4" Female Iron Pipe Threads	35.0
▶ YL262-233-NL	3/4" Pack Joint for PE Pipe*	3/4" Flare Copper	35.0
▶ YL264-233-NL	3/4" Pack Joint for PE Pipe*	3/4" Pack Joint for Copper or Plastic Tubing (CTS)*	35.0

## ANGLE KEY VALVE INLET - STRAIGHT DUAL CHECK OUTLET

CATALOG NUMBER	DESCRIPTION		APPROX. WT. LBS.
	INLET	OUTLET	
YLHC221-233-NL	3/4" Flare Copper	3/4" Female Iron Pipe Threads	39.0
YLHC222-233-NL	3/4" Flare Copper	3/4" Flare Copper	39.0
▶♦ YLHC241-233-NL	3/4" Pack Joint for Copper or Plastic Tubing (CTS)*	3/4" Female Iron Pipe Threads	39.0
▶ YLHC244-233-NL	3/4" Pack Joint for Copper or Plastic Tubing (CTS)*	3/4" Pack Joint for Copper or Plastic Tubing (CTS)*	39.0
YLHC247-233-NL	3/4" Pack Joint for Copper or Plastic Tubing (CTS)*	3/4" Pack Joint for PVC Pipe	39.0
▶ YLHC261-233-NL	3/4" Pack Joint for PE Pipe*	3/4" Female Iron Pipe Threads	39.0
YLHC267-233-NL	3/4" Pack Joint for PE Pipe*	3/4" Pack Joint for PVC Pipe	39.0

## ANGLE KEY VALVE INLET - ANGLE OUTLET

CATALOG NUMBER	DESCRIPTION		APPROX. WT. LBS.
	INLET	OUTLET	
YL322-233-NL	3/4" Flare Copper	3/4" Flare Copper	36.0
▶♦ YL342-233-NL	3/4" Pack Joint for Copper or Plastic Tubing (CTS)*	3/4" Flare Copper	35.0
▶ YL344-233-NL	3/4" Pack Joint for Copper or Plastic Tubing (CTS)*	3/4" Pack Joint for Copper or Plastic Tubing (CTS)*	35.0

## Ordering Information

- ♦ **Quick Joint** is available. Add "-Q" to the catalog number.
- \* **Grip Joint** for CTS and PE Pipe is available. Add "-G" to the catalog number.
- ▶ **Ultra-Tite** is available. Add "U-NA" to the catalog number (shipped unassembled).  
Gaskets are furnished – Flat gaskets for valve saddles and outlet pieces; beveled and flat gaskets for expansion connections.  
Brass end fittings are permanently and properly spaced and aligned for the meter.

See page 5 and 6 for details on the following options:

**Plastic Upper Section** (7" high) for all YL (shallow) Yokeboxes, add "-P" to the end of catalog alpha code. (Example: YLP244-233-NL) (deduct 12 lbs. from approximate shipping weight)

**Plastic Locking Lid**, add "-P" to the catalog number. Example: YL244-233-P-NL

**Plastic Locking Lid with ERT Bracket**, add "-PB" to the catalog number. Example: YL244-233-PB-NL.  
For large bracket: YL244-233-PLB-NL.

**Plastic Enlarged Upper Section**, (7" high) with enlarged plastic lid for any YL (shallow) Yokebox is available. Insert "-JP" to the end of the alpha code and "-P" to the catalog number. Example: YLJP244-233-P-NL

If ERT bracket is required, add "-PB" to the catalog number. Example: YLJP244-233-PB-NL (deduct 15 lbs. from approximate shipping weight)

Special expansion connection options are available. See pages 7 and 20.

# Ford Yokeboxes for 5/8"x3/4" Meters

Deep, Center Line of Meter 10" Below Grade  
Straight Inlet



## STRAIGHT BALL VALVE INLET - STRAIGHT OUTLET

CATALOG NUMBER	DESCRIPTION		APPROX. WT. LBS.
	INLET	OUTLET	
YMB111-233-NL	3/4" Female Iron Pipe Threads	3/4" Female Iron Pipe Threads	36.0
YMB122-233-NL	3/4" Flare Copper	3/4" Flare Copper	36.0
► YMB141-233-NL	3/4" Pack Joint for Copper or Plastic Tubing (CTS)*	3/4" Female Iron Pipe Threads	36.0
► YMB144-233-NL	3/4" Pack Joint for Copper or Plastic Tubing (CTS)*	3/4" Pack Joint for Copper or Plastic Tubing (CTS)*	36.0

## STRAIGHT KEY VALVE INLET - STRAIGHT OUTLET

CATALOG NUMBER	DESCRIPTION		APPROX. WT. LBS.
	INLET	OUTLET	
YM111-233-NL	3/4" Double Purpose**	3/4" Female Iron Pipe Threads	36.0
YM112-233-NL	3/4" Double Purpose**	3/4" Flare Copper	36.0
YM141-233-NL	3/4" Pack Joint for Copper or Plastic Tubing (CTS)*	3/4" Female Iron Pipe Threads	36.0
► YM141-243-NL	1" Pack Joint for Copper or Plastic Tubing (CTS)*	3/4" Female Iron Pipe Threads	36.0
► YM144-233-NL	3/4" Pack Joint for Copper or Plastic Tubing (CTS)*	3/4" Pack Joint for Copper or Plastic Tubing (CTS)*	36.0
► YM161-233-NL	3/4" Pack Joint for PE Pipe*	3/4" Female Iron Pipe Threads	36.0
► YM164-233-NL	3/4" Pack Joint for PE Pipe*	3/4" Pack Joint for Copper or Plastic Tubing (CTS)*	36.0
YM171-233-NL	3/4" Pack Joint for PVC Pipe	3/4" Female Iron Pipe Threads	36.0
YM177-233-NL	3/4" Pack Joint for PVC Pipe	3/4" Pack Joint for PVC Pipe	36.0

## STRAIGHT BALL VALVE INLET - STRAIGHT DUAL CHECK OUTLET

CATALOG NUMBER	DESCRIPTION		APPROX. WT. LBS.
	INLET	OUTLET	
YMBHC111-233-NL	3/4" Female Iron Pipe Threads	3/4" Female Iron Pipe Threads	36.0
YMBHC122-233-NL	3/4" Flare Copper	3/4" Flare Copper	36.0
► YMBHC141-233-NL	3/4" Pack Joint for Copper or Plastic Tubing (CTS)*	3/4" Female Iron Pipe Threads	36.0
► YMBHC144-233-NL	3/4" Pack Joint for Copper or Plastic Tubing (CTS)*	3/4" Pack Joint for Copper or Plastic Tubing (CTS)*	36.0
YMBHC147-233-NL	3/4" Pack Joint for Copper or Plastic Tubing (CTS)*	3/4" Pack Joint for PVC Pipe	36.0

## STRAIGHT KEY VALVE INLET - STRAIGHT DUAL CHECK OUTLET

CATALOG NUMBER	DESCRIPTION		APPROX. WT. LBS.
	INLET	OUTLET	
YMHC141-233-NL	3/4" Pack Joint for Copper or Plastic Tubing (CTS)*	3/4" Female Iron Pipe Threads	40.0
YMHC147-233-NL	3/4" Pack Joint for Copper or Plastic Tubing (CTS)*	3/4" Pack Joint for PVC Pipe	40.0

Ford Pack Joints for PVC are recommended for Schedule 40 and Schedule 80 pipe only.

## Ordering Information

\* **Grip Joint** for CTS and PE Pipe is available. Add "-G" to the catalog number.

\*\* **The Double Purpose Coupling** connects to either 3/4" threaded iron pipe or 3/4" flared copper tubing.

► **Ultra-Tite** is available. Add "U-NA" to the catalog number (shipped unassembled).

Gaskets are furnished – Flat gaskets for valve and outlet saddles; beveled and flat gaskets for expansion connections.

Brass end fittings are permanently and properly spaced and aligned for the meter.

See page 5 and 6 for details on the following options:

**Plastic Locking Lid**, add "-P" to the catalog number. Example: YM144-233-P-NL

**Plastic Locking Lid with ERT Bracket**, add "-PB" to the catalog number. Example: YM144-233-PB-NL

For large bracket: YM144-233-PLB-NL.

**Plastic Enlarged Upper Section**, (9" high) with enlarged plastic lid for any YM (deep) Yokebox is available. Insert "-JP" to the end of the alpha code and "-P" to the catalog number. Example: YMJP144-233-P-NL

If ERT bracket is required, add "-PB" to the catalog number. Example: YMJP144-233-PB-NL (deduct 15 lbs. from approximate shipping weight)

Special expansion connection options are available. See pages 7 and 20.

# Ford Yokeboxes for 5/8"x3/4" Meters

Deep, Center Line of Meter 10" Below Grade  
Angle Inlet



Meter Box Lid Key (MBLK)  
sold separately

## ANGLE KEY VALVE INLET - STRAIGHT OUTLET

CATALOG NUMBER	DESCRIPTION		APPROX. WT. LBS.
	INLET	OUTLET	
YM221-233-NL	3/4" Flare Copper	3/4" Female Iron Pipe Threads	36.0
YM222-233-NL	3/4" Flare Copper	3/4" Flare Copper	36.0
▶♦ YM241-233-NL	3/4" Pack Joint for Copper or Plastic Tubing (CTS)*	3/4" Female Iron Pipe Threads	35.0
YM241-243-NL	1" Pack Joint for Copper or Plastic Tubing (CTS)*	3/4" Female Iron Pipe Threads	35.0
▶♦ YM242-233-NL	3/4" Pack Joint for Copper or Plastic Tubing (CTS)*	3/4" Flare Copper	35.0
▶ YM244-233-NL	3/4" Pack Joint for Copper or Plastic Tubing (CTS)*	3/4" Pack Joint for Copper or Plastic Tubing (CTS)*	36.0
▶ YM261-233-NL	3/4" Pack Joint for PE Pipe*	3/4" Female Iron Pipe Threads	36.0
▶ YM262-233-NL	3/4" Pack Joint for PE Pipe*	3/4" Flare Copper	36.0
▶ YM264-233-NL	3/4" Pack Joint for PE Pipe*	3/4" Pack Joint for Copper or Plastic Tubing (CTS)*	36.0

## ANGLE KEY VALVE INLET - STRAIGHT DUAL CHECK OUTLET

CATALOG NUMBER	DESCRIPTION		APPROX. WT. LBS.
	INLET	OUTLET	
YMHC221-233-NL	3/4" Flare Copper	3/4" Female Iron Pipe Threads	40.0
YMHC222-233-NL	3/4" Flare Copper	3/4" Flare Copper	40.0
▶♦ YMHC241-233-NL	3/4" Pack Joint for Copper or Plastic Tubing (CTS)*	3/4" Female Iron Pipe Threads	40.0
▶ YMHC244-233-NL	1" Pack Joint for Copper or Plastic Tubing (CTS)*	3/4" Pack Joint for Copper or Plastic Tubing (CTS)*	40.0
YMHC247-233-NL	3/4" Pack Joint for Copper or Plastic Tubing (CTS)*	3/4" Pack Joint for PVC Pipe	40.0
▶ YMHC261-233-NL	3/4" Pack Joint for PE Pipe*	3/4" Female Iron Pipe Threads	40.0
YMHC267-233-NL	3/4" Pack Joint for PE Pipe*	3/4" Pack Joint for PVC Pipe	40.0

## ANGLE KEY VALVE INLET - ANGLE OUTLET

CATALOG NUMBER	DESCRIPTION		APPROX. WT. LBS.
	INLET	OUTLET	
YM322-233-NL	3/4" Flare Copper	3/4" Flare Copper	36.0
▶♦ YM342-233-NL	3/4" Pack Joint for Copper or Plastic Tubing (CTS)*	3/4" Flare Copper	36.0
▶ YM344-233-NL	3/4" Pack Joint for Copper or Plastic Tubing (CTS)*	3/4" Pack Joint for Copper or Plastic Tubing (CTS)*	36.0

## Ordering Information

♦ **Quick Joint** is available. Add "-Q" to the catalog number.

\* **Grip Joint** for CTS and PE Pipe is available. Add "-G" to the catalog number.

▶ **Ultra-Tite** is available. Add "U-NA" to the catalog number (shipped unassembled).

\*\* **The Double Purpose Coupling** connects to either 3/4" threaded iron pipe or 3/4" flared copper tubing.

Gaskets are furnished – Flat gaskets for valve and outlet saddles; beveled and flat gaskets for expansion connections.

Brass end fittings are permanently and properly spaced and aligned for the meter.

See page 5 and 6 for details on the following options:

**Plastic Locking Lid**, add "-P" to the catalog number. Example: YM244-233-P-NL

**Plastic Locking Lid with ERT Bracket**, add "-PB" to the catalog number. Example: YM244-233-PB-NL

For large bracket: YM244-233-PLB-NL.

**Plastic Enlarged Upper Section**, (9" high) with Enlarged Plastic Lid for any YM (deep) Yokebox is available. Insert "-JP" to the end of the alpha code and "-P" to the catalog number. Example: YMJP244-233-P-NL

If ERT bracket is required, add "-PB" to the catalog number. Example: YMJP244-233-PB-NL  
(deduct 15 lbs. from approximate shipping weight)

Special expansion connection options are available. See pages 7 and 20.

# Ford Yokebox Options and Accessories

For 5/8" and 5/8"x3/4" Ball Valve and Key Valve Yokeboxes

## OPTIONS AND ACCESSORIES FOR YOKEBOXES

CATALOG NUMBER	DESCRIPTION
9501	Grade Adjuster (wt. 8 lb.)
YBPR-4	4" Polystyrene Riser with Mounting Hardware
FYR-8	8" Iron Riser with Mounting Hardware
PTP	Removable Plastic Plug/Nut for Electronic Meter Reading Lid Hole
PTP-BR	Removable Plastic Plug for Electronic Meter Reading Lid Hole with ERT Bracket
PBR-YL-LYL	Plastic ERT Bracket with (3) Stainless Steel Clips (field installation only)
PLBR-YL-LYL	Large Plastic ERT Bracket with (3) Stainless Steel Clips (field installation only)
TP	Removable Cast Iron Plug (with cotter pin) for Electronic Meter Reading Module Hole
SAVV	Ball Valve Yokebox Wrench
MBVW	Yokebox Valve Wrench
MBUK	Meter Box Universal Key for Locking Lids, Lockless Lids and Yokebox Valves
9503	Padlock Plate for Key Valve, Angle or Straight - Lock Open or Closed
FYBKVLP-AV-SV	Padlock Plate for Angle or Straight Key Valve
MBLK	Yokebox Lid Key
9505	Combination Yokebox/Dallas Lid Key
YEW-1	5/8" Expansion Connection Wrench
YEW-3	5/8"x3/4" Expansion Connection Wrench
9508	Combination Yokebox-Pentagon Bolt Key

### YOKEBOX CATALOG NUMBER OPTION CODES

Add "-RL" to Catalog Number	Meter Box Reading Lid (hinged cast iron flap), Instead of Standard Lid Example: YL122-233-RL-NL
Insert "P" into Catalog Number	Plastic (ABS) Shallow Type (YL) Upper Section (7") with Anchor Lugs Example: YLP122-233-NL
Add "-PB" to Catalog Number	Locking Plastic Lid with ERT Bracket
Add "-PLB" to Catalog Number	Locking Plastic Lid with Large ERT Bracket
Add "-T" to Catalog Number	Electronic Meter Read Feature on Lid (2" hole) Example: YL122-233-T-NL
Add "-TP" to Catalog Number	Electronic Meter Read Feature on Lid (2" hole), with Removable Iron Plug Example: YL122-233-TP-NL
Add "-PTP" to Catalog Number	Electronic Meter Read Feature on Lid (2" hole), with Removable Plastic Plug and Nut Example YL144-233-PTP-NL
Add "-PTP-BR" to Catalog Number	Electronic Meter Read Feature on Lid (2" hole), with Removable Plastic Plug and ERT Bracket. Example YL144-233-PTP-BR-NL
Add "-RW" to Catalog Number	"RECLAIMED WATER" Lettering on Locking Yokebox Lid, Instead of Standard Lid Example: YL122-233-RW-NL
Add "-RWC" to Catalog Number	"RECLAIMED WATER" Lettering on Purple Locking Yokebox Lid, Instead of Standard Lid Example: YL122-233-RWC-NL
Add "-G" to Catalog Number	<b>Grip Joint</b> for CTS and PEP (3/4" & 1") Example: YL144-233-G-NL
Add "-P4" to Catalog Number	4" Polystyrene Riser Attached Between Base and Upper Section Example: YL144-233-P4-NL
Add "-XA" to Catalog Number	Locking Expansion Connection <b>without</b> Ford Security Screw Example: YL144-233-XA-NL
Add "-XB" to Catalog Number	Locking Expansion Connection <b>with</b> Ford Security Screw Example: YL144-233-XB-NL
Add "-XC" to Catalog Number	Expansion Connection with Dual Check Valves for Standard Yokeboxes Example: YL144-233-XC-NL
Add "-XD" to Catalog Number	Locking Expansion Connection <b>without</b> Ford Security Screw, with Dual Check Valves for Standard Yokeboxes, Example: YL144-233-XD-NL
Add "-XE" to Catalog Number	Locking Expansion Connection <b>with</b> Ford Security Screw, with Dual Check Valves for Standard Yokeboxes. Example: YL144-233-XE-NL



MBVW



SAVV



MBLK



MBUK



YEW-3



9505



9510



EC-23-NL



PTP-BR



9501



Locking Plastic Lid with ERT Bracket

# Ford Yokebox Options and Accessories

## For 5/8" and 5/8"x3/4" Ball Valve and Key Valve Yokeboxes

### OUTLET PIECES, UPPER SECTIONS, LIDS, AND GASKETS FOR YOKEBOXES

CATALOG NUMBER	DESCRIPTION
YL	Iron Locking Lid
YL-LUG	Iron Locking Lid with Guide / Alignment Lugs
YL-RW	Iron Locking Lid with "Reclaimed Water" Lettering
YL-RWC	Purple Iron Locking Lid with "Reclaimed Water" Lettering
YLL	Lockless Iron Lid
YL-T	Electronic Read Locking Iron Lid with 2" Hole
YLP	Plastic Standard Yokebox Lid
YLP-BR	Plastic Standard Yokebox Lid with ERT Bracket
YLP-LBR	Plastic Standard Yokebox Lid with Large ERT Bracket
MBRL	Iron Locking Meter Box Reading Lid with Hinged Cast Iron Flap
MBRL-LL	Iron Lockless Meter Box Reading Lid with Hinged Cast Iron Flap
YUC-4	Extra Shallow Type (YS) Upper Casting (4") with Anchor Lugs
YUC-7	Shallow Type (YL) Upper Casting (7") (requires 9500 for installation)
YUC-7P	Shallow Plastic Type (YL) Upper Section (7") with Anchor Lugs
YUC-9	Deep Type (YM) Upper Casting (9") (requires 9500 for installation)
YJLP	Plastic Enlarged Yokebox Lid
YJLP-BR	Plastic Enlarged Yokebox Lid with ERT Bracket
YJUC-7P	Plastic Enlarged 7" Upper Section (requires 9500 for installation)
YJUC-9P	Plastic Enlarged 9" Upper Section (requires 9500 for installation)
YBSO13-31-NL	Straight Outlet for 5/8" Meter with 3/4" Female Iron Pipe Threads
YBSO83-31-NL	Straight Outlet for 5/8" Meter with 3/4" Male Iron Pipe Threads
► YBSO43-31-NL	Straight Outlet for 5/8" Meter with Pack Joint for 3/4" Copper or Plastic Tube (CTS)*
YBSO23-11-NL	Straight Outlet for 5/8" Meter with 1/2" Flared Copper Connection
YBSO43-11-NL	Straight Outlet for 5/8" Meter with Pack Joint for 1/2" Copper or Plastic Tube (CTS)
YBSO23-31-NL	Straight Outlet for 5/8" Meter with 3/4" Flared Copper Connection
YBSO13-32-NL	Straight Outlet for 5/8"x3/4" Meter with 3/4" Female Iron Pipe Threads
YBSO23-32-NL	Straight Outlet for 5/8"x3/4" Meter with 3/4" Flared Copper Connection
YBSO83-32-NL	Straight Outlet for 5/8"x3/4" Meter with 3/4" Male Iron Pipe Threads
► YBSO43-32-NL	Straight Outlet for 5/8"x3/4" Meter with Pack Joint for 3/4" Copper or Plastic Tube (CTS)*
► YBSO43-42-NL	Straight Outlet for 5/8"x3/4" Meter with Pack Joint for 1" Copper or Plastic Tube (CTS)*
YBSO73-32-NL	Straight Outlet for 5/8"x3/4" Meter with Pack Joint for 3/4" PVC
► YBSO63-32-NL	Straight Outlet for 5/8"x3/4" Meter with Pack Joint for 3/4" PE Pipe*
YBAO23-31-NL	Angle Outlet for 5/8" Meter with 3/4" Flared Copper Connection
YBAO23-32-NL	Angle Outlet for 5/8"x3/4" Meter with 3/4" Flared Copper Connection
► YBAO43-32-NL	Angle Outlet for 5/8"x3/4" Meter with Pack Joint for 3/4" Copper or Plastic Tube (CTS)*
EC-1-NL	Expansion Connection for 5/8" Meter
EC-1-OR-H2-NL	Expansion Connection for 5/8" Meter, with Dual Check Valves
EC-1-OR-H2-RK	Check Valve Repair Kit for EC-1-OR-H2-NL
ECL-1-NL	Locking Expansion Connection for 5/8" Meter <b>without</b> Security Screw
ECL-1-SSF-NL	Locking Expansion Connection for 5/8" Meter <b>with</b> Security Screw
ECL-1-OR-H2-NL	Locking Expansion Connection for 5/8" Meter <b>without</b> Security Screw, with Dual Check Valves
ECL-1-OR-H2-SSF-NL	Locking Expansion Connection for 5/8" Meter <b>with</b> Security Screw, with Dual Check Valves
EC-23-NL	Expansion Connection for 5/8"x3/4" Meter
EC-23-OR-H2-NL	Expansion Connection for 5/8"x3/4" Meter, with Dual Check Valves
EC-23-OR-H2-RK	Check Valve repair kit for EC-23-OR-H2-NL
ECL-23-NL	Locking Expansion Connection for 5/8"x3/4" Meter <b>without</b> Security Screw
ECL-23-SSF-NL	Locking Expansion Connection for 5/8"x3/4" Meter <b>with</b> Security Screw
ECL-23-OR-H2-NL	Locking Expansion Connection for 5/8"x3/4" Meter <b>without</b> Security Screw with Dual Check Valves
ECL-23-OR-H2-SSF-NL	Locking Expansion Connection for 5/8"x3/4" Meter <b>with</b> Security Screw with Dual Check Valves
GT-32	5/8" Beveled Expansion Connection Gaskets
GT-33	5/8"x3/4" Beveled Expansion Connection Gaskets
GT-112	5/8" Rubber Gaskets for Valve and Outlet Saddles
GT-117	5/8"x3/4" Flat Expansion Connection Gaskets
GT-118	5/8"x3/4" Rubber Gaskets for Valve and Outlet Saddles
GT-210	5/8" Flat Expansion Connection Gaskets
9500	(Each) Stainless Steel Bolt and Nut for Connecting Upper and Base Castings (4 required)
9510	Lock Assembly (bolt, spring and rivet)
BOLT-800122	(Each) Stainless Steel Self Tapping Screw for Yokebox Brass Inlet and Outlet Items (2 required)
BOLT-800998-SSF	Security Screw (fits all Ford Locking Expansion Connections)
KEY-800999-SSF	Security Screw Access Tool
NUT-DR-040071-SSF	Magnetic Handle, Less Access Tool

# Ford Yokebox Parts

For 5/8" and 5/8"x3/4" Yokeboxes

## INLET VALVES AND BASES FOR KEY VALVE YOKEBOXES

CATALOG NUMBER	DESCRIPTION
YBAV23-31-NL	Angle Valve for 5/8" Meter, Inlet for 3/4" Flared Copper
YBAV23-32-NL	Angle Valve for 5/8"x3/4" Meter, Inlet for 3/4" Flared Copper
▶ YBAV43-31-NL	Angle Valve for 5/8" Meter, Inlet Pack Joint for 3/4" Copper or Plastic Tube (CTS)*
▶ ♦ YBAV43-32-NL	Angle Valve for 5/8"x3/4" Meter, Inlet Pack Joint for 3/4" Copper or Plastic Tube (CTS)*
YBAV43-42-NL	Angle Valve for 5/8"x3/4" Meter, Inlet Pack Joint for 1" Copper or Plastic Tube (CTS)*
▶ YBAV63-32-NL	Angle Valve for 5/8"x3/4" Meter, Inlet Pack Joint for 3/4" PE Pipe*
YBC	Base (or bottom) Casting
YBSV13-31-NL	Straight Valve for 5/8" Meter, 3/4" Double Purpose Coupling Inlet
YBSV13-32-NL	Straight Valve for 5/8"x3/4" Meter, 3/4" Double Purpose Coupling Inlet
YBSV23-11-NL	Straight Valve for 5/8" Meter, Inlet for 1/2" Flared Copper
YBSV23-32-NL	Straight Valve for 5/8"x3/4" Meter, Inlet for 3/4" Flared Copper
YBSV43-11-NL	Straight Valve for 5/8" Meter Inlet Pack Joint for 1/2" Copper or Plastic Tube (CTS)
▶ YBSV43-31-NL	Straight Valve for 5/8" Meter, Inlet Pack Joint for 3/4" Copper or Plastic Tube (CTS)*
▶ YBSV43-32-NL	Straight Valve for 5/8"x3/4" Meter, Inlet Pack Joint for 3/4" Copper or Plastic Tube (CTS)*
▶ YBSV43-42-NL	Straight Valve for 5/8"x3/4" Meter, Inlet Pack Joint for 1" Copper or Plastic Tube (CTS)*
▶ YBSV63-32-NL	Straight Valve for 5/8"x3/4" Meter, Inlet Pack Joint for 3/4" PE Pipe*
YBSV73-32-NL	Straight Valve for 5/8"x3/4" Meter, Inlet Pack Joint for 3/4" PVC Pipe
YBSV83-32-NL	Straight Valve for 5/8"x3/4" Meter, Inlet for 3/4" Male Iron Pipe Threads

## INLET VALVES AND BASES FOR BALL VALVE YOKEBOXES

CATALOG NUMBER	DESCRIPTION
YBBV13-231-NL	5/8" Yokebox Ball Valve for 3/4" Female Iron Pipe
YBBV13-232-NL	5/8"x3/4" Yokebox Ball Valve for 3/4" Female Iron Pipe
YBBV13-242-NL	5/8"x3/4" Yokebox Ball Valve for 1" Female Iron Pipe
YBBV23-231-NL	5/8" Yokebox Ball Valve for 3/4" Flared Copper
YBBV23-232-NL	5/8"x3/4" Yokebox Ball Valve for 3/4" Flared Copper
▶ YBBV43-231-NL	5/8" Yokebox Ball Valve for 3/4" Pack Joint (CTS)*
▶ YBBV43-232-NL	5/8"x3/4" Yokebox Ball Valve for 3/4" Pack Joint (CTS)*
YBC-BV	Base (or bottom) Casting for Ball Valve Yokebox
YBC-BVHC	Base (or bottom) Casting for Ball Valve Dual Check Valve Yokebox

## DUAL CHECK PARTS FOR YOKEBOXES

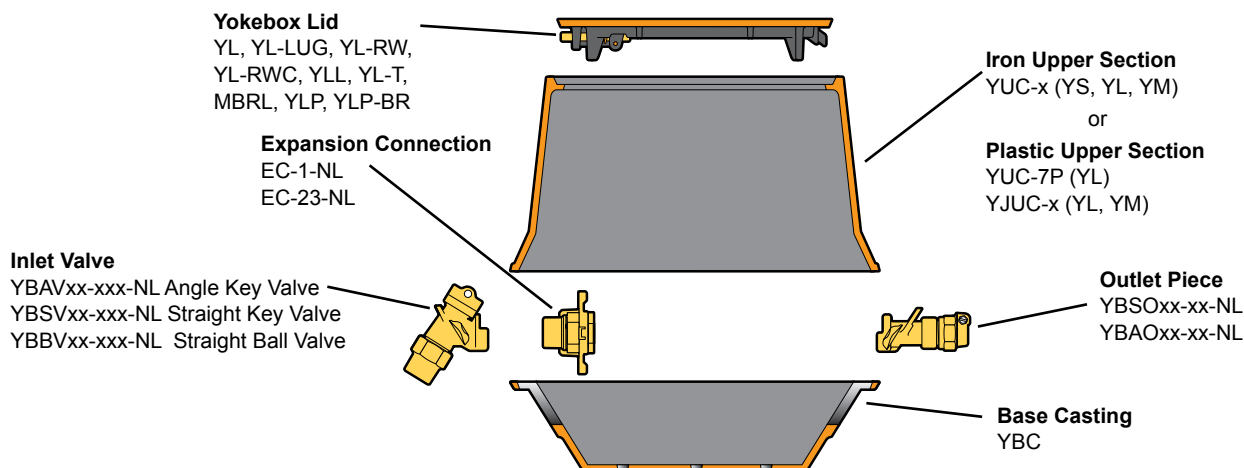
CATALOG NUMBER	DESCRIPTION
YBC-BVHC	Base Casting for Ball Valve Dual Check Yokebox
YBC-HC	Base Casting for Dual Check Yokebox
YBHC31-313-NL	5/8" Yokebox Dual Check for 3/4" Female Iron Pipe Thread
YBHC31-323-NL	5/8"x3/4" Yokebox Dual Check for 3/4" Female Iron Pipe Thread
YBHC32-313-NL	5/8" Yokebox Dual Check for 3/4" Flare Copper
YBHC32-323-NL	5/8"x3/4" Yokebox Dual Check for 3/4" Flare Copper
▶ YBHC34-313-NL	5/8" Yokebox Dual Check for 3/4" Pack Joint for Copper or Plastic Tube (CTS)*
▶ YBHC34-323-NL	5/8"x3/4" Yokebox Dual Check for 3/4" Pack Joint for Copper or Plastic Tube (CTS)*
YBHC37-323-NL	5/8"x3/4" Yokebox Dual Check for 3/4" Pack Joint for PVC Pipe

♦ Quick Joint is available. Add "-Q" to the catalog number.

\* Grip Joint for CTS or PE Pipe is available. Add "-G" to the catalog number.

▶ Ultra-Tite is available. Add "U-NA" to the catalog number (shipped unassembled).

**NOTE:** Cartridge dual check valve repair kits (cartridges, gaskets, etc.) are listed in Catalog Section I. Installation screws are included with Yokebox valves and outlet pieces.



# Golden Gate Box

## For 3/4" Meters

The Golden Gate Yokebox is for full 3/4" meters (9" long). The dimensions of the box are the same as for the shallow (YL) Yokebox for 5/8" and 5/8"x3/4" meters – see page 8. The angle valve has 1" flared copper inlet connection. The straight outlet is tapped for 1" female iron pipe thread. Pack joint connections for 1" CTS are available. All water passages are full 3/4" or larger.

The Golden Gate Box shown below has the upper iron casting "ghosted" to show the angle valve and the expansion connection. **All lid and riser options listed on page 20 are available for the Golden Gate Box.**



### ANGLE INLET - STRAIGHT OUTLET

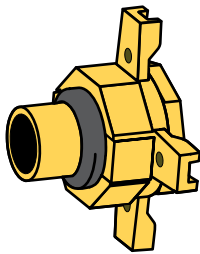
CATALOG NUMBER	DESCRIPTION		APPROX. WT. LBS.
	INLET	OUTLET	
YL221-344-NL	1" Flare Copper	1" Female Iron Pipe Threads	37.0
▶ YL224-344-NL	1" Flare Copper	1" Pack Joint for Copper or Plastic Tubing (CTS)*	37.0
▶ YL241-344-NL	1" Pack Joint for Copper or Plastic Tubing (CTS)*	1" Female Iron Pipe Threads	37.0
▶ YL244-344-NL	1" Pack Joint for Copper or Plastic Tubing (CTS)*	1" Pack Joint for Copper or Plastic Tubing (CTS)*	37.0

▶ Ultra-Tite is available. Add "U-NA" to the catalog number (shipped unassembled).

**Options:** Add "-P" to the catalog number for locking plastic lid. (Example: YLxxx-xxx-P-NL)

Add "-PB" to the number for locking plastic lid with ERT bracket. (Example: YLxxx-xxx-PB-NL) ("-PLB" for large bracket)

Add "JP" to end of alpha code and "-P" to the catalog number on a YL Yokebox requiring a 7" (shallow) plastic enlarged upper section and plastic lid. (Example: YLJPxxx-xxx-P-NL)



EC-23-SF-NL

### PARTS AND ACCESSORIES FOR GOLDEN GATE BOXES

CATALOG NUMBER	DESCRIPTION	APPROX. WT. LBS.
9505	Combination Yokebox / Dallas Lid Key	0.8
EC-23-SF-NL	2-Part Expansion Connection	0.6
GGAV23-343-NL	Inlet Valve for 1" Flare Copper	2.0
▶ GGAV43-343-NL	Inlet Valve for 1" Pack Joint (CTS)*	1.6
GGB-B	Base Casting for Golden Gate Box	8.8
GGO13-343-NL	Straight Outlet for 1" Female Iron Pipe	0.8
▶ GGO43-343-NL	Straight Outlet for 1" Pack Joint (CTS)*	0.9
MBLK	Meter Box Lid Key	0.3
MBVW	Meter Box Valve Wrench (18" long)	1.9

\* Grip Joint for CTS is available. Add "-G" to the catalog number.

▶ Ultra-Tite is available. Add "U-NA" to the catalog number (shipped unassembled).

## Ordering Information

Brass end fittings are permanently and properly spaced and aligned for the meter.

Special lettering on lids is available – contact factory for details.

Order by catalog number from table above. Specify locking or lockless lid. Specify quantity of steel keys desired for locking lids.

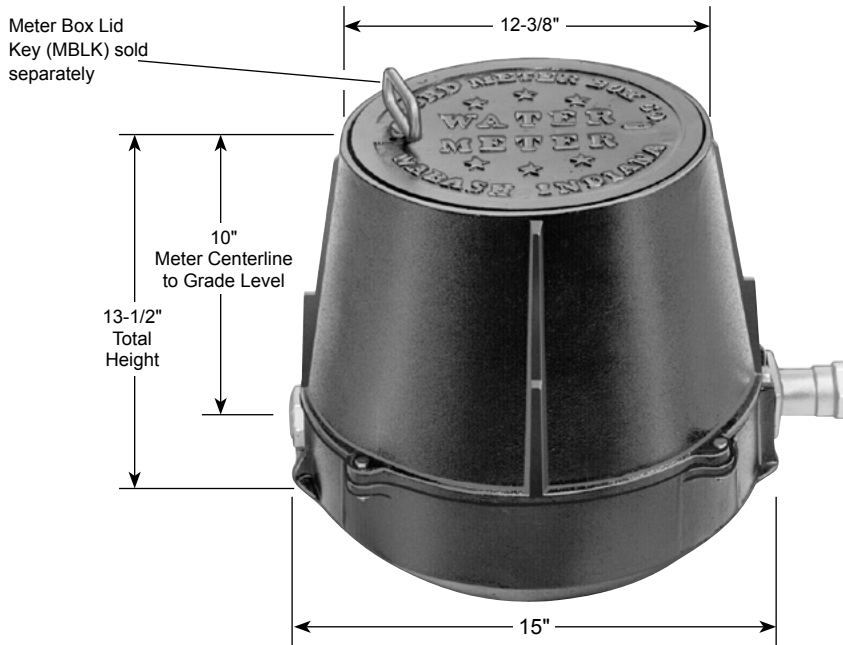
# Ford Yokebox

## For 1" Meters

The features of the 1" Yokeboxes are similar to those of smaller sizes, and the advantages are the same. Boxes are of cast iron construction. All piping connections to these larger sizes are straight and are female iron pipe threads. They can be adapted to copper or plastic tubing by standard couplings, listed and described in Section J.

The lock is the same as on smaller sizes and operates with the same key – see page 5. Lockless iron lids or locking plastic lids are optional. Bases and upper body castings are round, and upper body castings have anchor ribs cast on the outside which lock into concrete to prevent settling.

Valves are straight inverted key type, properly positioned and connected to the iron base. The meter clamping device ordinarily remains with the base piece but can be removed if desired, to prevent unauthorized use of water.



### STRAIGHT INLET - STRAIGHT OUTLET

CATALOG NUMBER	DESCRIPTION		APPROX. WT. LBS.
	INLET	OUTLET	
YL111-444-NL	1" Female Iron Pipe	1" Female Iron Pipe	65.0

**Options:** Add "-P" to the catalog number for locking plastic lid. (Example: YLxxx-xxx-P-NL)  
 Add "-PB" to the catalog number for locking plastic lid with ERT bracket.  
 (Example: YLxxx-xxx-PB-NL)

### PARTS AND ACCESSORIES FOR YOKEBOX FOR 1" METER

CATALOG NUMBER	DESCRIPTION	APPROX. WT. LBS.
MBVW	Meter Box Valve Wrench (18" long)	1.7
MBLK	Meter Box Lid Key	0.5
9505	Combination Yokebox / Dallas Lid Key	0.8
YBUC	Upper Casting for YL111-444-NL	24.0
9635	Base Casting for No. YL111-444-NL	21.0
CBLL	Iron Lockless Lid for YL111-444-NL	8.0
CBLL-T	Iron Lockless Lid with 2" Hole for Electronic Read Module for YL111-444-NL	8.7
YBL	Locking Iron Lid for No. YL111-444-NL	8.0
YBL-T	Electronic Read Locking Iron Lid for No. YL111-444-NL (2" hole)	8.0
YBLP	1" Yokebox Plastic Locking Lid	2.5
YBLP-BR	1" Yokebox Plastic Locking Lid with ERT Bracket	2.6
CBEO-4	Yokebox Expansion Outlet, 1" Female Iron Pipe	3.0
CBV-4	Yokebox Valve, 1" Female Iron Pipe	3.5
GT-123	Flat Rubber Gaskets for Inlet & Outlet Pieces	0.01
9504	Bolt and Nut for YL111-444-NL	0.06
PTP	Removable Plastic Plug/Nut for Electronic Meter Reading Lid Hole	0.06
PTP-BR	Removable Plastic Plug for Electronic Meter Reading Lid Hole with ERT Bracket	0.1
TP	Removable Cast Iron Plug (with cotter pin) for Electronic Meter Reading Module Hole	0.5

## Ordering Information

Special lettering on lids is available – contact factory for details.

Order by catalog number from table above. Specify locking or lockless lid. Specify quantity of steel keys desired for locking lids.



# The Ford Long Yokebox

The Ford Meter Box Company, the inventor of the Yokebox, is proud to introduce another addition to the Yokebox line of water meter setting equipment - the Long Yokebox. The Ford Long Yokebox is a complete, compact meter-setting package that fills your residential back-flow control requirements.

A lot has changed since the “good old days” when a utility’s responsibility for water quality ended at the outlet of the water meter. The Federal Safe Drinking Water Act, and a host of state and local regulations, now defines you as responsible for delivery of quality water to the faucet inside your customer’s home or business. The entry of objectionable or hazardous material into the customer’s plumbing may expose your utility, and you personally, to expensive and time consuming legal action.

Until now, implementation of a backflow program for a utility using Yokeboxes was a challenge. Long Yokeboxes are complete, compact meter-setting packages, which are installed as a unit and include removable ASSE approved cartridge style dual check valves contained completely within the box. The Long Yokebox provides automatic spacing and alignment for the meter and the cartridge style dual check valve, which can be inserted at any time during or after the installation of the meter box.



The Ford Long Yokebox design offers the maximum convenience of operation; the check valve attaches directly to the meter. A few turns of the expansion connection will allow the meter and check valve to be removed or installed as one unit. This provides for fast and easy maintenance of the meter *and* the check valve.

The inlet, outlet, dual check valve and expansion connection are manufactured of waterworks brass meeting the latest revision of AWWA Standard C800. The cartridge style dual check valves have ASSE 1024 approval. Ford is THE choice of water utilities for check valves. Ford offers check valves that have some of the lowest water pressure head loss figures in the industry.

Remember, only the Long Yokebox delivers Ford Meter Box quality, service and dependability.



# Specifications and Information

## Long Yokeboxes For 5/8" and 5/8"x3/4" Meters

Long Yokeboxes are ideal water meter housings for moderate and warm climates. They offer the following valuable features:

1. **Protection** for the meter – protection for pedestrians because of the small lid area.
2. **Backflow protection** – cartridge dual check valve with ASSE 1024 certification.
3. **Rapid** meter reading.
4. **Quality** Ford service valves – accessible and easily operated – designed for years of trouble-free service.
5. **Quick, easy, and wrench-free** meter changing.
6. **The largest variety** of service line connections in the industry.
7. **Economical** installation, requiring only minimal excavation.
8. **Security** – When the meter is removed from the Long Yokebox, the expansion connection and check valve are also removed. No ordinary pipe fittings will connect the ends, deterring unauthorized water use – see description of the expansion connection on page 29. A lockable expansion connection option is available. See pages 7 and 37

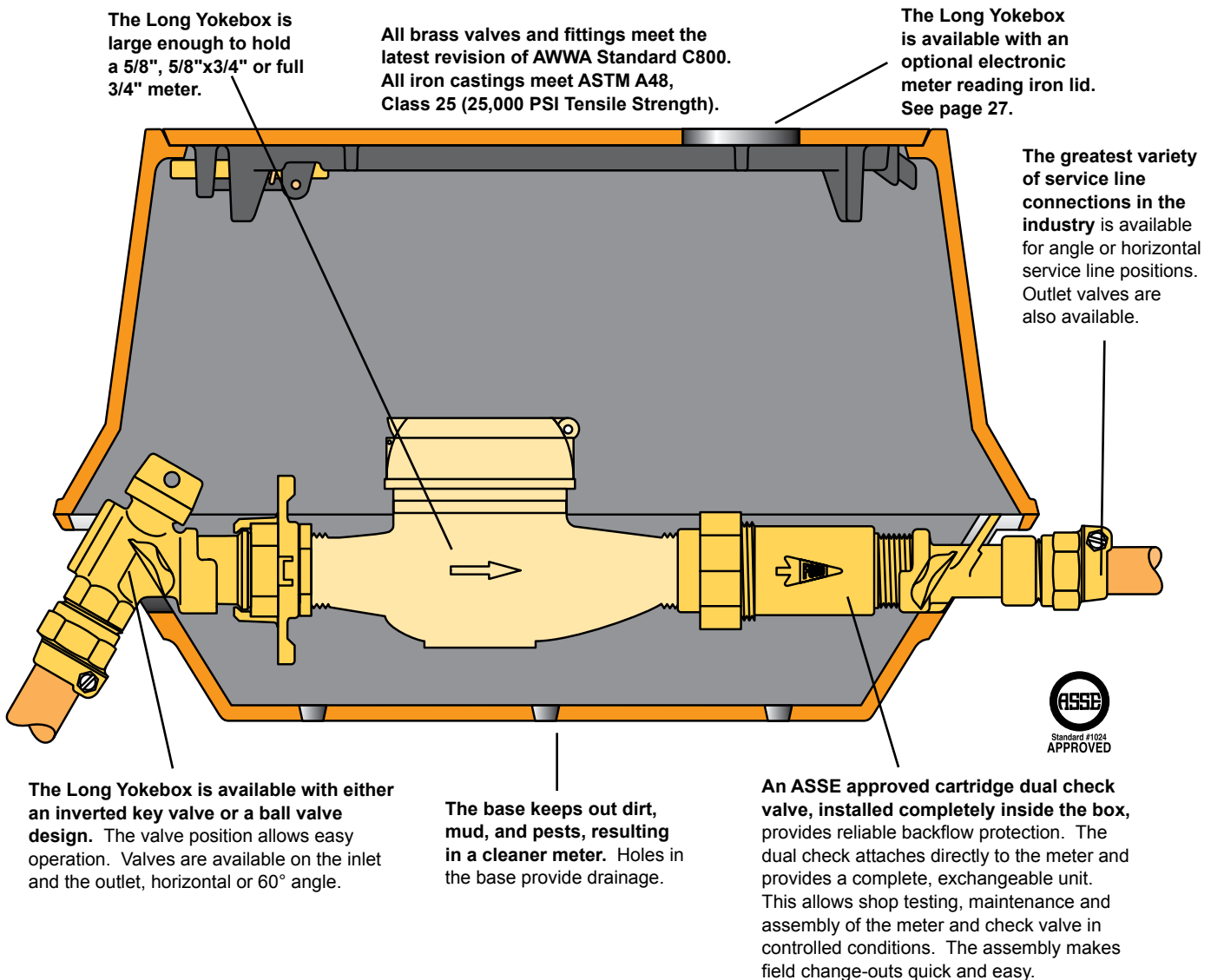
## Long Yokebox Specifications and Features

The Standard Long Yokebox includes three iron castings:

1. A base.
  2. An upper body casting.
  3. A locking lid.
- (Lockless lids or locking plastic lids are available upon request.)

Four brass items complete the unit: Inlet and outlet pieces, an expansion connection, and a dual check valve.

Additional Long Yokebox specifications and ordering information on pages 27 - 40.



# Ford Long Yokebox Features and Options



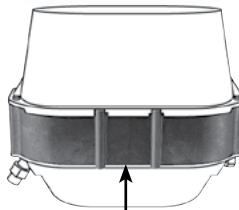
## Optional Plastic Upper Section

Available for LYL Long Yokeboxes, the LYPB plastic upper section is made from high density polyethylene structural foam plastic. The LYPB plastic upper section uses the same bolts as a standard iron upper section to connect to Long Yokebox base. Accepts both standard locking or optional lockless lids. Insert "P" into the catalog number. Example: LYLBP222-233-NL.



## Optional Iron Grade Adjuster for Cast Iron Upper Section

The LYGA grade adjuster allows between 1" to 3-1/2" additional height to the grade level after the initial installation. The unit attaches to the top of the box with stainless steel set screws and accepts both locking and lockless lids.



Long Yokebox riser

## Optional Long Yokebox Risers

Long Yokebox risers increase the height of Long Yokebox upper sections with three riser heights (not adjustable) available. The LYIR-6 cast iron riser adds 6" to the overall height of the box, the LYIR-4 iron riser adds 4" to the height and the LYIR-2 adds 2". The LYPR-4 plastic riser is placed between the base and the upper section, and secures to the base and upper section with self-tapping screws. The cast iron risers fit over the top of the upper section and are secured with silicon bronze "J" bolts. These risers are particularly useful for grade changes in areas where installed boxes have had winter freeze-up problems.



## Ford Plastic Lid for Long Yokebox

Ford's plastic locking lids for Long Yokeboxes (LYLP) are a wise choice for AMR systems, as they permit easy transmission of AMR signals. The plastic lid is available with an optional ERT bracket (LYLP-BR) that allows mounting of most transponders to the underside of the lid. UV-resistant and slip-resistant, they are excellent for lawn applications walkways or other non-vehicular traffic areas.



## Iron Lids for Ford Meter Boxes

All Ford cast iron meter boxes offer the choice of a standard locking lid or an optional lockless lid. The tamper-proof lock is shown (left) from the underside of the lid. It is operated with a special "double-action" key (MBLK). As the key retracts the spring-loaded lock pin, it attaches to the lid and becomes a lifter handle. The optional lockless lid has a bar pick-up for easy removal with a screwdriver or a similar tool such as the Meter Box Universal Key, model MBUK.



## Ford Electronic Meter Reading Iron Lid Option

Ford lids are available with precast holes for electronic meter reading modules. This option is designated with a "-T" for a single hole cover and a "-NPR" for a Pit Pro Read single hole cover. Example: LYLB222-233-T-NL.



## Ford Electronic Meter Reading Iron Lid with Removable Plug

An optional cast iron plug, removable for future electronic meter reading module installations, is available for all Ford Yokebox iron lids. This option is designated with a "-TP" for a single hole cover. Example: LYLB222-233-TP-NL. A plastic plug and nut is also available to improve transmission of AMR signals. Add "-PTP" to the end of the catalog number. Example: LYLB222-233-PTP-NL. For plastic plug with AMR bracket, add "-PTP-BR." See page C-37 for ordering information.

## Lid Plugs



Iron plug to seal lids with AMR holes



Plastic plug to seal AMR hole or improve AMR signal transmission



Plastic plug with AMR bracket

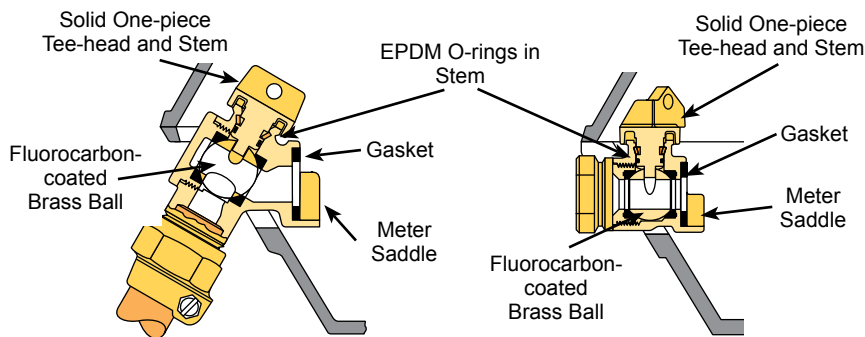
# Ford Long Yokebox Valve Features and Options

The ball valve and key valve connections feature straight or angle configurations and are available for the box inlet and outlet. Various types of connections for pipe and tubing are available.

The ball valve features a solid one piece tee-head and stem. An EPDM O-ring on the stem ensures a watertight seal at the top. Molded EPDM rubber seat(s) support the ball. The fluorocarbon-coated brass ball will provide years of maintenance free service. Angle valves are 60° from horizontal.

The key valve features an inverted key held securely in place under spring tension by two silicon bronze bent washers. A Buna-N O-ring provides additional leakage protection. Angle valves are 60° from horizontal.

## Design Features of Ball Valves used in Ford Yokeboxes

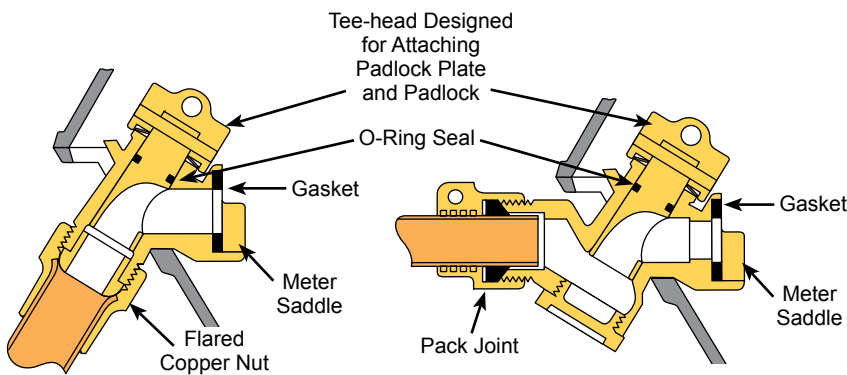


Details of Angle and Straight Long Yokebox Ball Valves

The inlet ball valve features a solid one piece tee-head and stem. An EPDM O-ring in the stem assures a watertight seal at the top. Molded EPDM rubber seat(s) support the ball. The fluorocarbon-coated brass ball will provide years of maintenance free service.

A variety of inlet and outlet couplings are available, including grip joints for copper or plastic tubing as well as pack joints for copper or plastic tubing, PVC and PE pipe, or I.P.

## Design Features of Key Valves used in Ford Yokeboxes



Details of Angle and Straight Long Yokebox Key Valve

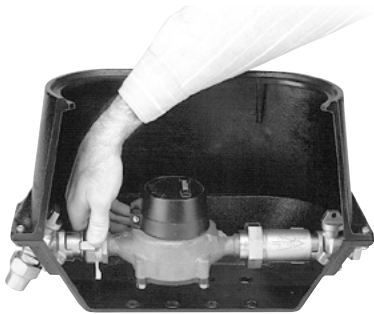
The inverted key valve holds the key securely in place under spring tension by two silicon bronze spring washers. An o-ring provides additional leakage protection. Angle valves are 60° from horizontal.

A variety of service line connections are available; namely grip joints for copper or plastic tubing or PE pipe, pack joints for copper or plastic tubing, PVC and PE pipe, and double purpose couplings (union swivel for iron pipe or flared copper).

# Ford Long Yokebox Valve Features and Options

Continued

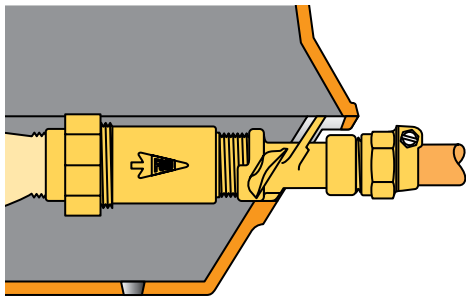
The inlet, outlet, cartridge dual check valve and expansion connection are made from waterworks brass meeting the latest revisions of AWWA Standard C800. The Ford cartridge style dual check valve is certified under ASSE 1024.



## The Expansion Connection

Every meter box includes the expansion connection, pioneered by Ford. It eliminates wrenches in the meter box during meter change-outs, permitting Ford Boxes to be smaller than ordinary concrete or plastic boxes.

## Cartridge Style Dual Check Valve - ASSE 1024 Approved



Detail of a Yokebox Cartridge Style Dual Check Valve.

Long Yokeboxes feature a Ford Cartridge Dual Check Valve inside the box. The expansion connection, water meter and dual check valve make up a single, removable assembly. This allows shop testing, maintenance and assembly of the meter and check valve in controlled conditions. The meter and check valve assembly provide quick and easy field change-outs.

The Long Yokebox is available with an optional spacer in place of the cartridge dual check valve. This option is ideal for anticipated backflow requirements. To implement a backflow protection program, simply replace the spacer with the proper cartridge dual check valve. To order the spacer option in place of the cartridge dual check valve, add "-SP" to the catalog number.

## Long Yokebox Dimensions

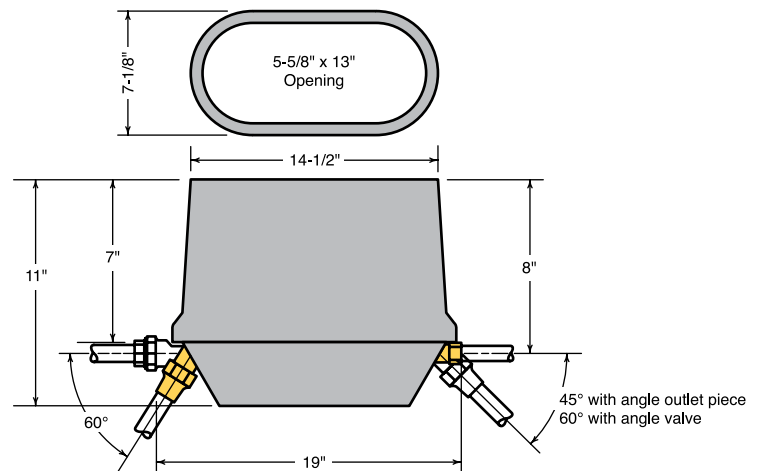
The Standard Long Yokebox includes three iron castings:

1. A base.
2. An upper body casting.
3. A locking lid. (lockless iron lids are optional)

Straight or angle inverted key valves and ball valves are available for the Long Yokebox inlet and outlet. All angle valves are 60° from horizontal, angle outlet pieces are 45° from horizontal. Various types of connections for pipe and tubing are available.



The base keeps out dirt, mud, and pests, resulting in a cleaner meter. Holes in the base provide drainage.



# Ford Long Yokeboxes for 5/8" Meters

Center Line of Meter 8" Below Grade

Straight Inlet - Straight Outlet



## STRAIGHT BALL VALVE INLET - STRAIGHT OUTLET

CATALOG NUMBER	DESCRIPTION		APPROX. WT. LBS.
	INLET	OUTLET	
LYLB111-133-NL	3/4" Female Iron Pipe Threads	3/4" Female Iron Pipe Threads	47.0
LYLB122-133-NL	3/4" Flare Copper	3/4" Flare Copper	47.0
▶ LYLB141-133-NL	3/4" Pack Joint for Copper or Plastic Tubing (CTS)*	3/4" Female Iron Pipe Threads	47.0
▶ LYLB144-133-NL	3/4" Pack Joint for Copper or Plastic Tubing (CTS)*	3/4" Pack Joint for Copper or Plastic Tubing (CTS)*	47.0

## STRAIGHT BALL VALVE INLET - STRAIGHT BALL VALVE OUTLET

CATALOG NUMBER	DESCRIPTION		APPROX. WT. LBS.
	INLET	OUTLET	
LYLBB111-133-NL	3/4" Female Iron Pipe Threads	3/4" Female Iron Pipe Threads	48.0
LYLBB122-133-NL	3/4" Flare Copper	3/4" Flare Copper	48.0
▶ LYLBB141-133-NL	3/4" Pack Joint for Copper or Plastic Tubing (CTS)*	3/4" Female Iron Pipe Threads	48.0
▶ LYLBB144-133-NL	3/4" Pack Joint for Copper or Plastic Tubing (CTS)*	3/4" Pack Joint for Copper or Plastic Tubing (CTS)*	48.0

## STRAIGHT KEY VALVE INLET - STRAIGHT OUTLET

CATALOG NUMBER	DESCRIPTION		APPROX. WT. LBS.
	INLET	OUTLET	
LYLV111-133-NL	3/4" Double Purpose**	3/4" Female Iron Pipe Threads	47.0
LYLV122-133-NL	3/4" Flare Copper	3/4" Flare Copper	47.0
▶ LYLV141-133-NL	3/4" Pack Joint for Copper or Plastic Tubing (CTS)*	3/4" Female Iron Pipe Threads	47.0
▶ LYLV144-133-NL	3/4" Pack Joint for Copper or Plastic Tubing (CTS)*	3/4" Pack Joint for Copper or Plastic Tubing (CTS)*	47.0

## STRAIGHT KEY VALVE INLET - STRAIGHT KEY VALVE OUTLET

CATALOG NUMBER	DESCRIPTION		APPROX. WT. LBS.
	INLET	OUTLET	
LYLVV111-133-NL	3/4" Double Purpose**	3/4" Double Purpose**	48.0
LYLVV122-133-NL	3/4" Flare Copper	3/4" Flare Copper	48.0
▶ LYLVV141-133-NL	3/4" Pack Joint for Copper or Plastic Tubing (CTS)*	3/4" Double Purpose**	48.0
▶ LYLVV144-133-NL	3/4" Pack Joint for Copper or Plastic Tubing (CTS)*	3/4" Pack Joint for Copper or Plastic Tubing (CTS)*	48.0

All Ford Long Yokeboxes are standard with an ASSE 1024 approved Cartridge Style Dual Check Valve contained completely within the box.



## Ordering Information

\* **Grip Joint** for CTS is available. Add "-G" to the catalog number.

\*\* **The Double Purpose Coupling** connects to either 3/4" threaded iron pipe or 3/4" flared copper tubing.

▶ **Ultra-Tite** is available. Add "U-NA" to the catalog number (shipped unassembled).

Gaskets are furnished – Flat gaskets for valve and outlet saddles; beveled and flat gaskets for expansion connections.

Brass end fittings are permanently and properly spaced and aligned for the meter.

See page 27 for details on the following options:

**Plastic Upper Section** (7" high) for all (LYL) Long Yokeboxes, add "-P" to the end of catalog alpha code. (Example: LYLV144-133-NL) (deduct 17 lbs. from approximate shipping weight)

**Plastic Locking Lid**, add "-P" to the catalog number. Example: LYLV144-133-P-NL

**Plastic Locking Lid with ERT Bracket**, add "-PB" to the catalog number. Example: LYLV144-133-PB-NL, ("-PLB" for large bracket)

**Ford Long Yokeboxes have an iron locking lid as standard.** An optional lockless lid is available by adding "-LL" to the catalog number. Example: LYLV111-133-LL-NL

A lockable expansion connection option is available. See pages 7 and 37.

# Ford Long Yokeboxes for 5/8" Meters

Center Line of Meter 8" Below Grade  
Angle Inlet - Straight Outlet



## ANGLE KEY VALVE INLET - STRAIGHT OUTLET

CATALOG NUMBER	DESCRIPTION		APPROX. WT. LBS.
	INLET	OUTLET	
LYLV222-133-NL	3/4" Flare Copper	3/4" Flare Copper	47.0
▶ LYL241-133-NL	3/4" Pack Joint for Copper or Plastic Tubing (CTS)*	3/4" Female Iron Pipe Threads	47.0
▶ LYL244-133-NL	3/4" Pack Joint for Copper or Plastic Tubing (CTS)*	3/4" Pack Joint for Copper or Plastic Tubing (CTS)*	47.0

## ANGLE KEY VALVE INLET - STRAIGHT KEY VALVE OUTLET

CATALOG NUMBER	DESCRIPTION		APPROX. WT. LBS.
	INLET	OUTLET	
LYLV222-133-NL	3/4" Flare Copper	3/4" Flare Copper	48.0
▶ LYL241-133-NL	3/4" Pack Joint for Copper or Plastic Tubing (CTS)*	3/4" Double Purpose**	48.0
▶ LYL244-133-NL	3/4" Pack Joint for Copper or Plastic Tubing (CTS)*	3/4" Pack Joint for Copper or Plastic Tubing (CTS)*	48.0

All Ford Long Yokeboxes are standard with an ASSE 1024 approved Cartridge Style Dual Check Valve contained completely within the box.



## Ordering Information

\* **Grip Joint** for CTS is available. Add "-G" to the catalog number.

\*\* **The Double Purpose Coupling** connects to either 3/4" threaded iron pipe or 3/4" flared copper tubing.

▶ **Ultra-Tite** is available. Add "U-NA" to the catalog number (shipped unassembled).

Gaskets are furnished – Flat gaskets for valve and outlet saddles; beveled and flat gaskets for expansion connections.

Brass end fittings are permanently and properly spaced and aligned for the meter.

See page 27 for details on the following options:

**Plastic Upper Section** (7" high) for all (LYL) Long Yokeboxes, add "-P" to the end of catalog alpha code. (Example: LYLB244-133-NL) (deduct 17 lbs. from approximate shipping weight)

**Plastic Locking Lid**, add "-P" to the catalog number. Example: LYLB244-133-P-NL

**Plastic Locking Lid with ERT Bracket**, add "-PB" to the catalog number. Example: LYLB244-133-PB-NL, ("-PLB" for large bracket)

**Ford Long Yokeboxes have an iron locking lid as standard.** An optional lockless lid is available by adding "-LL" to the catalog number. Example: LYL222-133-LL-NL

A lockable expansion connection option is available. See pages 7 and 37.

# Ford Long Yokeboxes for 5/8" Meters

Center Line of Meter 8" Below Grade

Angle Inlet - Angle Outlet



## ANGLE KEY VALVE INLET - ANGLE OUTLET

CATALOG NUMBER	DESCRIPTION		APPROX. WT. LBS.
	INLET	OUTLET	
LYLV322-133-NL	3/4" Flare Copper	3/4" Flare Copper	47.0
▶ LYL344-133-NL	3/4" Pack Joint for Copper or Plastic Tubing (CTS)*	3/4" Pack Joint for Copper or Plastic Tubing (CTS)*	47.0

## ANGLE KEY VALVE INLET - ANGLE KEY VALVE OUTLET

CATALOG NUMBER	DESCRIPTION		APPROX. WT. LBS.
	INLET	OUTLET	
LYLVV322-133-NL	3/4" Flare Copper	3/4" Flare Copper	48.0
▶ LYL344-133-NL	3/4" Pack Joint for Copper or Plastic Tubing (CTS)*	3/4" Pack Joint for Copper or Plastic Tubing (CTS)*	48.0

All Ford Long Yokeboxes are standard with an ASSE 1024 approved Cartridge Style Dual Check Valve contained completely within the box.



## Ordering Information

\* **Grip Joint** for CTS is available. Add "-G" to the catalog number.

▶ **Ultra-Tite** is available. Add "U-NA" to the end of catalog number (shipped unassembled).

Gaskets are furnished – Flat gaskets for valve and outlet saddles; beveled and flat gaskets for expansion connections.

Brass end fittings are permanently and properly spaced and aligned for the meter.

See page 27 for details on the following options:

**Plastic Upper Section** (7" high) for all (LYL) Long Yokeboxes, add "-P" to the end of catalog alpha code. (Example: LYLV344-133-NL) (Deduct 17 lbs. from approximate shipping weight.)

**Plastic Locking Lid**, add "-P" to the catalog number. Example: LYLV344-133-P-NL

**Plastic Locking Lid with ERT Bracket**, add "-PB" to the end of catalog number. Example: LYLV344-133-PB-NL, ("-PLB" for large bracket)

**Ford Long Yokeboxes have an iron locking lid as standard.** An optional lockless lid is available by adding "-LL" to the catalog number. Example: LYLV322-133-LL-NL

A lockable expansion connection option is available. See pages 7 and 37.



# Ford Long Yokeboxes for 5/8"x3/4" Meters

Center Line of Meter 8" Below Grade  
Straight Inlet - Straight Outlet



## STRAIGHT BALL VALVE INLET - STRAIGHT OUTLET

CATALOG NUMBER	DESCRIPTION		APPROX. WT. LBS.
	INLET	OUTLET	
LYLB111-233-NL	3/4" Female Iron Pipe Threads	3/4" Female Iron Pipe Threads	47.0
LYLB122-233-NL	3/4" Flare Copper	3/4" Flare Copper	47.0
▶ LYLB141-233-NL	3/4" Pack Joint for Copper or Plastic Tubing (CTS)*	3/4" Female Iron Pipe Threads	47.0
▶ LYLB144-233-NL	3/4" Pack Joint for Copper or Plastic Tubing (CTS)*	3/4" Pack Joint for Copper or Plastic Tubing (CTS)*	47.0

## STRAIGHT BALL VALVE INLET - STRAIGHT BALL VALVE OUTLET

CATALOG NUMBER	DESCRIPTION		APPROX. WT. LBS.
	INLET	OUTLET	
LYLBB111-233-NL	3/4" Female Iron Pipe Threads	3/4" Female Iron Pipe Threads	48.0
LYLBB122-233-NL	3/4" Flare Copper	3/4" Flare Copper	48.0
▶ LYLBB141-233-NL	3/4" Pack Joint for Copper or Plastic Tubing (CTS)*	3/4" Female Iron Pipe Threads	48.0
▶ LYLBB144-233-NL	3/4" Pack Joint for Copper or Plastic Tubing (CTS)*	3/4" Pack Joint for Copper or Plastic Tubing (CTS)*	48.0

## STRAIGHT KEY VALVE INLET - STRAIGHT OUTLET

CATALOG NUMBER	DESCRIPTION		APPROX. WT. LBS.
	INLET	OUTLET	
LYLV111-233-NL	3/4" Double Purpose**	3/4" Female Iron Pipe Threads	47.0
LYLV122-233-NL	3/4" Flare Copper	3/4" Flare Copper	47.0
▶ LYL141-233-NL	3/4" Pack Joint for Copper or Plastic Tubing (CTS)*	3/4" Female Iron Pipe Threads	47.0
▶ LYL141-243-NL	1" Pack Joint for Copper or Plastic Tubing (CTS)*	3/4" Female Iron Pipe Threads	47.0
▶ LYL144-233-NL	3/4" Pack Joint for Copper or Plastic Tubing (CTS)*	3/4" Pack Joint for Copper or Plastic Tubing (CTS)*	47.0
▶ LYL161-233-NL	3/4" Pack Joint for PE Pipe*	3/4" Female Iron Pipe Threads	47.0
LYLV171-233-NL	3/4" Pack Joint for PVC Pipe	3/4" Female Iron Pipe Threads	47.0

## STRAIGHT KEY VALVE INLET - STRAIGHT KEY VALVE OUTLET

CATALOG NUMBER	DESCRIPTION		APPROX. WT. LBS.
	INLET	OUTLET	
LYLVV111-233-NL	3/4" Double Purpose**	3/4" Double Purpose**	48.0
LYLVV122-233-NL	3/4" Flare Copper	3/4" Flare Copper	48.0
▶ LYL141-233-NL	3/4" Pack Joint for Copper or Plastic Tubing (CTS)*	3/4" Double Purpose**	48.0
▶ LYL144-233-NL	3/4" Pack Joint for Copper or Plastic Tubing (CTS)*	3/4" Pack Joint for Copper or Plastic Tubing (CTS)*	48.0

## Ordering Information

\* **Grip Joint** for CTS and PE Pipe is available. Add "-G" to the catalog number.

\*\* **The Double Purpose Coupling** connects to either 3/4" threaded iron pipe or 3/4" flared copper tubing.

▶ **Ultra-Tite** is available. Add "U-NA" to the catalog number (shipped unassembled).

Gaskets are furnished – Flat gaskets for valve and outlet saddles; beveled and flat gaskets for expansion connections.

Brass end fittings are permanently and properly spaced and aligned for the meter.

See page 27 for details on the following options:

**Plastic Upper Section** (7" high) for all (LYL) Long Yokeboxes, add "-P" to the end of catalog alpha code. (Example: LYLVP144-233-NL) (deduct 17 lbs. from approximate shipping weight)

**Plastic Locking Lid**, add "-P" to the catalog number. Example: LYL144-233-P-NL

**Plastic Locking Lid with ERT Bracket**, add "-PB" to the catalog number. Example: LYL144-233-PB-NL, ("-PLB" for large bracket)

**Ford Long Yokeboxes have an iron locking lid as standard.** An optional lockless lid is available by adding "-LL" to the catalog number. Example: LYL111-233-LL-NL

A lockable expansion connection option is available. See pages 7 and 37.

# Ford Long Yokeboxes for 5/8"x3/4" Meters

Center Line of Meter 8" Below Grade

Angle Inlet - Straight Outlet



## ANGLE BALL VALVE INLET - STRAIGHT OUTLET

CATALOG NUMBER	DESCRIPTION		APPROX. WT. LBS.
	INLET	OUTLET	
LYLB222-233-NL	3/4" Flare Copper	3/4" Flare Copper	47.0
▶ LYLB241-233-NL	3/4" Pack Joint for Copper or Plastic Tubing (CTS)*	3/4" Female Iron Pipe Threads	47.0
LYLB241-243-NL	1" Pack Joint for Copper or Plastic Tubing (CTS)*	3/4" Female Iron Pipe Threads	47.0
▶ LYLB244-233-NL	3/4" Pack Joint for Copper or Plastic Tubing (CTS)*	3/4" Pack Joint for Copper or Plastic Tubing (CTS)*	47.0
▶ LYLB261-233-NL	3/4" Pack Joint for PE Pipe*	3/4" Female Iron Pipe Threads	47.0
▶ LYLB266-233-NL	3/4" Pack Joint for PE Pipe*	3/4" Pack Joint for PE Pipe*	47.0

## ANGLE VALVE INLET - STRAIGHT BALL VALVE OUTLET

CATALOG NUMBER	DESCRIPTION		APPROX. WT. LBS.
	INLET	OUTLET	
LYLBB222-233-NL	3/4" Flare Copper	3/4" Flare Copper	47.0
▶ LYLBB241-233-NL	3/4" Pack Joint for Copper or Plastic Tubing (CTS)*	3/4" Female Iron Pipe Threads	47.0
LYLBB241-243-NL	1" Pack Joint for Copper or Plastic Tubing (CTS)*	3/4" Female Iron Pipe Threads	47.0
▶ LYLBB244-233-NL	3/4" Pack Joint for Copper or Plastic Tubing (CTS)*	3/4" Pack Joint for Copper or Plastic Tubing (CTS)*	47.0
▶ LYLBB261-233-NL	3/4" Pack Joint for PE Pipe*	3/4" Female Iron Pipe Threads	47.0

## ANGLE KEY VALVE INLET - STRAIGHT OUTLET

CATALOG NUMBER	DESCRIPTION		APPROX. WT. LBS.
	INLET	OUTLET	
LYLV221-233-NL	3/4" Flare Copper	3/4" Female Iron Pipe Threads	47.0
LYLV222-233-NL	3/4" Flare Copper	3/4" Flare Copper	47.0
▶ LYLV241-233-NL	3/4" Pack Joint for Copper or Plastic Tubing (CTS)*	3/4" Female Iron Pipe Threads	47.0
LYLV241-243-NL	1" Pack Joint for Copper or Plastic Tubing (CTS)*	3/4" Female Iron Pipe Threads	47.0
▶ LYLV244-233-NL	3/4" Pack Joint for Copper or Plastic Tubing (CTS)*	3/4" Pack Joint for Copper or Plastic Tubing (CTS)*	47.0
▶ LYLV261-233-NL	3/4" Pack Joint for PE Pipe*	3/4" Female Iron Pipe Threads	47.0

## ANGLE KEY VALVE INLET - STRAIGHT KEY VALVE OUTLET

CATALOG NUMBER	DESCRIPTION		APPROX. WT. LBS.
	INLET	2.6521 IN	
LYLVV221-233-NL	3/4" Flare Copper	3/4" Double Purpose**	48.0
LYLVV222-233-NL	3/4" Flare Copper	3/4" Flare Copper	48.0
▶ LYLVV241-233-NL	3/4" Pack Joint for Copper or Plastic Tubing (CTS)*	3/4" Double Purpose**	48.0
▶ LYLVV244-233-NL	3/4" Pack Joint for Copper or Plastic Tubing (CTS)*	3/4" Pack Joint for Copper or Plastic Tubing (CTS)*	48.0
▶ LYLVV261-233-NL	3/4" Pack Joint for PE Pipe*	3/4" Double Purpose**	48.0
▶ LYLVV266-233-NL	3/4" Pack Joint for PE Pipe*	3/4" Pack Joint for PE Pipe*	48.0

## Ordering Information

\* **Grip Joint** for CTS and PE Pipe is available. Add "-G" to the catalog number.

\*\* **The Double Purpose Coupling** connects to either 3/4" threaded iron pipe or 3/4" flared copper tubing.

▶ **Ultra-Tite** is available. Add "U-NA" to the catalog number (shipped unassembled).

Gaskets are furnished – Flat gaskets for valve and outlet saddles; beveled and flat gaskets for expansion connections.

Brass end fittings are permanently and properly spaced and aligned for the meter.

See page 27 for details on the following options:

**Plastic Upper Section** (7" high) for all (LYL) Long Yokeboxes, add "-P" to the end of catalog alpha code. (Example: LYLV241-233-NL) (deduct 17 lbs. from approximate shipping weight)

**Plastic Locking Lid**, add "-P" to the catalog number. Example: LYLV244-233-P-NL

**Plastic Locking Lid with ERT Bracket**, add "-PB" to the catalog number. Example: LYLV244-233-PB-NL, ("PLB" for large bracket)

**Ford Long Yokeboxes have an iron locking lid as standard.** An optional lockless lid is available by adding "-LL" to the catalog number. Example: LYLV221-233-LL-NL

A lockable expansion connection option is available. See pages 7 and 37.

# Ford Long Yokeboxes for 5/8"x3/4" Meters

Center Line of Meter 8" Below Grade  
Angle Inlet - Angle Outlet



## ANGLE BALL VALVE INLET - ANGLE BALL VALVE OUTLET

CATALOG NUMBER	DESCRIPTION		APPROX. WT. LBS.
	INLET	OUTLET	
LYLBB322-233-NL	3/4" Flare Copper	3/4" Flare Copper	48.0
▶ LYLBB344-233-NL	3/4" Pack Joint for Copper or Plastic Tubing (CTS)*	3/4" Pack Joint for Copper or Plastic Tubing (CTS)*	48.0
LYLBB344-243-NL	1" Pack Joint for Copper or Plastic Tubing (CTS)*	3/4" Pack Joint for Copper or Plastic Tubing (CTS)*	48.0
LYLBB344-244-NL	1" Pack Joint for Copper or Plastic Tubing (CTS)*	1" Pack Joint for Copper or Plastic Tubing (CTS)*	48.0
▶ LYLBB366-233-NL	3/4" Pack Joint for PE Pipe*	3/4" Pack Joint for PE Pipe*	48.0

## ANGLE KEY VALVE INLET - ANGLE OUTLET

CATALOG NUMBER	DESCRIPTION		APPROX. WT. LBS.
	INLET	OUTLET	
LYLV322-233-NL	3/4" Flare Copper	3/4" Flare Copper	48.0
▶ LYL344-233-NL	3/4" Pack Joint for Copper or Plastic Tubing (CTS)*	3/4" Pack Joint for Copper or Plastic Tubing (CTS)*	48.0
LYLV344-243-NL	1" Pack Joint for Copper or Plastic Tubing (CTS)*	3/4" Pack Joint for Copper or Plastic Tubing (CTS)*	48.0

## ANGLE KEY VALVE INLET - ANGLE KEY VALVE OUTLET

CATALOG NUMBER	DESCRIPTION		APPROX. WT. LBS.
	INLET	OUTLET	
LYLV322-233-NL	3/4" Flare Copper	3/4" Flare Copper	48.0
▶ LYL344-233-NL	3/4" Pack Joint for Copper or Plastic Tubing (CTS)*	3/4" Pack Joint for Copper or Plastic Tubing (CTS)*	48.0
▶ LYL366-233-NL	3/4" Pack Joint for PE Pipe*	3/4" Pack Joint for PE Pipe*	48.0

All Ford Long Yokeboxes are standard with an ASSE 1024 approved Cartridge Style Dual Check Valve contained completely within the box.



## Ordering Information

\* **Grip Joint** for CTS and PE Pipe is available. Add "-G" to the catalog number.

▶ **Ultra-Tite** is available. Add "U-NA" to the catalog number (shipped unassembled).

Gaskets are furnished – Flat gaskets for valve and outlet saddles; beveled and flat gaskets for expansion connections.

Brass end fittings are permanently and properly spaced and aligned for the meter.

See page 27 for details on the following options:

**Plastic Upper Section** (7" high) for all (LYL) Long Yokeboxes, add "-P" to the end of catalog alpha code. (Example: LYLVP344-233-NL) (deduct 17 lbs. from approximate shipping weight)

**Plastic Locking Lid**, add "-P" to the catalog number. Example: LYL344-233-P-NL

**Plastic Locking Lid with ERT Bracket**, add "-PB" to the catalog number. Example: LYL344-233-PB-NL, ("-PLB" for large bracket)

**Ford Long Yokeboxes have an iron locking lid as standard.** An optional lockless lid is available by adding "-LL" to the catalog number. Example: LYL322-233-LL-NL

A lockable expansion connection option is available. See pages 7 and 37.

# Ford Long Yokeboxes for Full 3/4" Meters

Center Line of Meter 8" Below Grade

Angle Inlet - Straight Outlet



## ANGLE KEY VALVE INLET - STRAIGHT OUTLET

CATALOG NUMBER	DESCRIPTION		APPROX. Wt. Lbs.
	INLET	OUTLET	
LYLV221-344-NL	1" Flare Copper	1" Female Iron Pipe Threads	47.0
▶ LYL224-344-NL	1" Flare Copper	1" Pack Joint for Copper or Plastic Tubing (CTS)*	47.0
▶ LYL241-344-NL	1" Pack Joint for Copper or Plastic Tubing (CTS)*	1" Female Iron Pipe Threads	47.0
▶ LYL244-344-NL	1" Pack Joint for Copper or Plastic Tubing (CTS)*	1" Pack Joint for Copper or Plastic Tubing (CTS)*	47.0

All Ford Long Yokeboxes are standard with an ASSE 1024 approved Cartridge Style Dual Check Valve contained completely within the box.



## Ordering Information

\* **Grip Joint** for CTS and PE Pipe is available. Add "-G" to the catalog number.

▶ **Ultra-Tite** is available. Add "U-NA" to the catalog number (shipped unassembled).

Gaskets are furnished – Flat gaskets for valve and outlet saddles; beveled and flat gaskets for expansion connections.

Brass end fittings are permanently and properly spaced and aligned for the meter.

See page 27 for details on the following options:

**Plastic Upper Section** (7" high) for all (LYL) long Yokeboxes, add "-P" to the end of catalog alpha code. (Example: LYLVP244-344-NL) (deduct 17 lbs. from approximate shipping weight)

**Plastic Locking Lid**, add "-P" to the catalog number. Example: LYL244-344-P-NL

**Plastic Locking Lid with ERT Bracket**, add "-PB" to the end of catalog number. Example: LYL244-344-PB-NL, ("-PLB" for large bracket)

**Ford Long Yokeboxes have an iron locking lid as standard.** An optional lockless lid is available by adding "-LL" to the catalog number. Example: LYL244-344-LL-NL

A lockable expansion connection option is available. See pages 7 and 37.

# Ford Long Yokebox Options and Accessories

For 5/8", 5/8"x3/4" and 3/4" Long Yokeboxes

## OPTIONS AND ACCESSORIES FOR LONG YOKEBOXES

CATALOG NUMBER	DESCRIPTION
LYGA	Grade Adjuster for Long Yokebox
LYPR-4	4" Plastic Riser for Long Yokebox
LYIR-2	2" Iron Riser for Long Yokebox with Mounting Hardware
LYIR-4	4" Iron Riser for Long Yokebox with Mounting Hardware
LYIR-6	6" Iron Riser for Long Yokebox with Mounting Hardware
LYBCP	Long Yokebox Connector Plate
TP	Removable Cast Iron Plug (with cotter pin) for Electronic Meter Reading Module Hole
SAVW	Ball Valve Yokebox Wrench
MBVW	Yokebox Key Valve Wrench (18" long)
9503	Padlock Plate for Key Valve, Angle or Straight
FLYB-AVLP	Padlock Plate for Angle Ball Valve for Long Yokebox
FLYB-BVLP	Padlock Plate for Straight Ball Valve for Long Yokebox
FLYB-BVLP-R	Padlock Plate for Ball Valve Long Yokebox with Plastic Riser
FYBKVLP-AV-SV	Padlock Plate for Straight or Angle Key Valve with or without Plastic Riser
MBLK	Yokebox Lid Key
MBUK	Meter Box Universal Key for Locking Lids, Lockless Lids and Yokebox Valves
PTP	Removable Plastic Plug/Nut for Electronic Meter Reading Lid Hole
PTP-BR	Removable Plastic Plug for Electronic Meter Reading Lid Hole with ERT Bracket
PBR-YL-LYL	Plastic ERT Bracket with (3) Stainless Steel Clips (field installation only on plastic lid)
PLBR-YL-LYL	Large Plastic ERT Bracket with (3) Stainless Steel Clips (field installation only on plastic lid)
9505	Combination Yokebox/Dallas Lid Key
YEW-1	5/8" Expansion Connection Wrench
YEW-3	5/8"x3/4" Expansion Connection Wrench
9508	Combination Yokebox-Pentagon Bolt Key
Add "-P" to Catalog Number	Plastic Locking Lid; Example: LYL241-233-P-NL
Add "-PB" to Catalog Number	Plastic Locking Lid with ERT Bracket; Example: LYL244-233-PB-NL
Add "-PLB" to Catalog Number	Plastic Locking Lid with Large ERT Bracket; Example: LYL244-233-PLB-NL
Add "-T" to Catalog Number	Electronic Meter Read Feature on Lid (2" hole); Example: LYL222-233-T-NL
Add "-TP" to Catalog Number	Electronic Meter Read Feature on Lid (2" hole) with Removable Iron Plug
Add "-G" to Catalog Number	<b>Grip Joint</b> for CTS; Example: LYL244-233-G-NL
Add "-SP" to Catalog Number	Spacer in Lieu of Check Valve; Example: LYL244-233-SP-NL
Add "-LL" to Catalog Number	Lockless Lid on Long Yokebox; Example: LYL222-233-LL-NL
Add "-P4" to Catalog Number	4" Polystyrene Riser Attached Between Base and Upper Section
Add "-XA" to Catalog Number	Locking Expansion Connection <b>without</b> Ford Security Screw
Add "-XB" to Catalog Number	Locking Expansion Connection <b>with</b> Ford Security Screw

## CHECK VALVES, UPPER SECTIONS, LIDS AND GASKETS FOR LONG YOKEBOXES

CATALOG NUMBER	DESCRIPTION
LYL	Iron Locking Lid for Long Yokebox
LYLL	Iron Lockless Lid for Long Yokebox
LYL-T	Iron Locking Electronic Read Lid with 2" Hole (for Long Yokebox)
LYL-RW	Iron Locking Reclaimed Water Lid with Black E-coating for Long Yokebox
LYL-RWC	Iron Locking Purple-Coated Reclaim Water Lid for Long Yokebox
LYLP	Plastic Locking Lid for Long Yokebox
LYLP-BR	Plastic Locking Lid for Long Yokebox with ERT Bracket
LYLP-BLR	Plastic Locking Lid for Long Yokebox with Large ERT Bracket
LYIB	Shallow Type (LYL) Upper Casting (7" high) (for Long Yokebox)
LYPB	Shallow Plastic Type (LYL) Upper Section (7" high) (for Long Yokebox)
EC-1-NL	Expansion Connection for 5/8" Meter
ECL-1-NL	Locking Expansion Connection for 5/8" Meter <b>without</b> Security Screw
ECL-1-SSF-NL	Locking Expansion Connection for 5/8" Meter <b>with</b> Security Screw
EC-23-NL	Expansion Connection for 5/8"x3/4" Meter
EC-23-SF-NL	2-Part Expansion Connection for 3/4" Meter
ECL-23-NL	Locking Expansion Connection for 5/8"x3/4" Meter <b>without</b> Security Screw
ECL-23-SSF-NL	Locking Expansion Connection for 5/8"x3/4" Meter <b>with</b> Security Screw
GT-32	5/8" Beveled Expansion Connection Gasket
GT-33	5/8"x3/4" Beveled Expansion Connection Gasket
GT-210	5/8" Flat Expansion Connection Gasket
GT-196	5/8"x3/4" Flat Expansion Connection Gasket
BOLT-800998-SSF	Security Screw (fits all Ford Locking Expansions)
KEY-800999-SSF	Security Screw Access Tool
NUT-DR-040072-SSF	Magnetic Handle, Less Access Tool
GT-112	5/8" Rubber Gaskets for Valve and Outlet Saddles
GT-118	5/8"x3/4" Rubber Gaskets for Valve and Outlet Saddles
9500	(Each) Stainless Steel Bolt and Nut for Connecting Upper and Base Castings (4 required)
9510	Lock Assembly (bolt, spring & rivet)
HHCI33-311-NL	Cartridge Style Dual Check Valve for Long Yokebox, for 5/8" Meter
HHCI33-322-3-5-PE-NL	Cartridge Style Dual Check Valve for Double Valve Type Long Yokebox, for 5/8"x3/4" Meter
HHCI33-322-NL	Cartridge Style Dual Check Valve for Single Valve Type Long Yokebox, for 5/8"x3/4" Meter

# Ford Long Yokebox Parts

For 5/8", 5/8"x3/4" and 3/4" Long Yokeboxes

## VALVES, OUTLETS AND BASE FOR KEY VALVE LONG YOKEBOXES

CATALOG NUMBER	DESCRIPTION
GGAV23-343-NL	Angle Valve for 3/4" Meter, Inlet for 1" Flare Copper Connection
▶ GGAV43-343-NL	Angle Valve for 3/4" Meter, Inlet Pack Joint for 1" Copper or Plastic Tube (CTS)*
GGO13-343-NL	Straight Outlet for 3/4" Meter with 1" Female Iron Pipe Threads
▶ GGO43-343-NL	Straight Outlet for 3/4" Meter with Pack Joint for 1" Copper or Plastic Tube (CTS)*
LYBC-KV	Base (or bottom) Casting for Key Valve Long Yokebox
YBAO23-31-NL	Angle Outlet for 5/8" Meter with 3/4" Flare Copper Connection
YBAO23-32-NL	Angle Outlet for 5/8"x3/4" Meter with 3/4" Flare Copper Connection
▶ YBAO43-32-NL	Angle Outlet for 5/8"x3/4" Meter with Pack Joint for 3/4" Copper or Plastic Tube (CTS)*
YBAV23-31-NL	Angle Valve for 5/8" Meter, Inlet for 3/4" Flare Copper Connection
YBAV23-32-NL	Angle Valve for 5/8"x3/4" Meter, Inlet for 3/4" Flare Copper Connection
▶ YBAV43-31-NL	Angle Valve for 5/8" Meter, Inlet Pack Joint for 3/4" Copper or Plastic Tube (CTS)*
▶ YBAV43-32-NL	Angle Valve for 5/8"x3/4" Meter, Inlet Pack Joint for 3/4" Copper or Plastic Tube (CTS)*
YBAV43-42-NL	Angle Valve for 5/8"x3/4" Meter, Inlet Pack Joint for 1" Copper or Plastic Tube (CTS)*
▶ YBAV63-32-NL	Angle Valve for 5/8"x3/4" Meter, Inlet Pack Joint for 3/4" PE Pipe*
YBSO13-31-NL	Straight Outlet for 5/8" Meter with 3/4" Female Iron Pipe Threads
YBSO13-32-NL	Straight Outlet for 5/8"x3/4" Meter with 3/4" Female Iron Pipe Threads
YBSO23-11-NL	Straight Outlet for 5/8" Meter with 1/2" Flare Copper Connection
YBSV23-11-NL	Straight Valve for 5/8" Meter, Inlet for 1/2" Flare Copper Connection
YBSO23-31-NL	Straight Outlet for 5/8" Meter with 3/4" Flare Copper Connection
YBSO23-32-NL	Straight Outlet for 5/8"x3/4" Meter with 3/4" Flare Copper Connection
YBSO43-11-NL	Straight Outlet for 5/8" Meter with Pack Joint for 1/2" Copper or Plastic Tube (CTS)
▶ YBSO43-31-NL	Straight Outlet for 5/8" Meter with Pack Joint for 3/4" Copper or Plastic Tube (CTS)*
▶ YBSO43-32-NL	Straight Outlet for 5/8"x3/4" Meter with Pack Joint for 3/4" Copper or Plastic Tube (CTS)*
YBSO43-42-NL	Straight Outlet for 5/8"x3/4" Meter with Pack Joint for 1" Copper or Plastic Tube (CTS)*
▶ YBSO63-32-NL	Straight Outlet for 5/8"x3/4" Meter with Pack Joint for 3/4" PE Pipe*
YBSO73-32-NL	Straight Outlet for 5/8"x3/4" Meter with Pack Joint for 3/4" PVC
YBSO83-31-NL	Straight Outlet for 5/8" Meter with 3/4" Male Iron Pipe Threads
YBSO83-32-NL	Straight Outlet for 5/8"x3/4" Meter with 3/4" Male Iron Pipe Threads
YBSV13-31-NL	Straight Valve for 5/8" Meter, 3/4" Double Purpose Coupling Inlet
YBSV13-32-NL	Straight Valve for 5/8"x3/4" Meter, 3/4" Double Purpose Coupling
YBSV23-32-NL	Straight Valve for 5/8"x3/4" Meter, Inlet for 3/4" Flare Copper Connection
YBSV43-11-NL	Straight Valve for 5/8" Meter Inlet Pack Joint for 1/2" Copper or Plastic Tube (CTS)
▶ YBSV43-31-NL	Straight Valve for 5/8" Meter, Inlet Pack Joint for 3/4" Copper or Plastic Tube (CTS)*
▶ YBSV43-32-NL	Straight Valve for 5/8"x3/4" Meter, Inlet Pack Joint for 3/4" Copper or Plastic Tube (CTS)*
YBSV43-42-NL	Straight Valve for 5/8"x3/4" Meter, Inlet Pack Joint for 1" Copper or Plastic Tube (CTS)*
▶ YBSV63-32-NL	Straight Valve for 5/8"x3/4" Meter, Inlet Pack Joint for 3/4" PE Pipe*
YBSV73-32-NL	Straight Valve for 5/8"x3/4" Meter, Inlet Pack Joint for 3/4" PVC Pipe
YBSV83-32-NL	Straight Valve for 5/8"x3/4" Meter, Inlet for 3/4" Male Iron Pipe Threads

## VALVES, OUTLETS AND BASE FOR BALL VALVE LONG YOKEBOXES

CATALOG NUMBER	DESCRIPTION
LYABV23-232-NL	5/8"x3/4" Angle Ball Valve for Long Yokebox, 3/4" Flare Copper
▶ LYABV43-232-NL	5/8"x3/4" Angle Ball Valve for Long Yokebox, 3/4" CTS*
LYABV43-242-NL	5/8"x3/4" Angle Ball Valve for Long Yokebox, 1" CTS*
▶ LYABV63-232-NL	5/8"x3/4" Angle Ball Valve for Long Yokebox, 3/4" PE Pipe*
LYAOB32-23-NL	Angle Outlet for 5/8"x3/4" Meter Ball Valve Long Yokebox, 3/4" Flare Copper
LYAOB34-23-NL	Angle Outlet for 5/8"x3/4" Meter Ball Valve Long Yokebox, 3/4" CTS*
LYBC-BV	Base (or bottom) Casting for Ball Valve Long Yokebox
LYSOB31-13-NL	Straight Outlet for 5/8" Meter Ball Valve Long Yokebox, 3/4" FIP
LYSOB31-23-NL	Straight Outlet for 5/8"x3/4" Meter Ball Valve Long Yokebox, 3/4" FIP
LYSOB32-13-NL	Straight Outlet for 5/8" Meter Ball Valve Long Yokebox, 3/4" Flare Copper
LYSOB32-23-NL	Straight Outlet for 5/8"x3/4" Meter Ball Valve Long Yokebox, 3/4" Flare Copper
▶ LYSOB34-23-NL	Straight Outlet for 5/8"x3/4" Meter Ball Valve Long Yokebox, 3/4" CTS*
YBBVL13-231-NL	Straight 5/8" Yokebox Ball Valve for 3/4" Female Iron Pipe
YBBV13-232-NL	Straight 5/8"x3/4" Yokebox Ball Valve for 3/4" Female Iron Pipe
YBBV13-242-NL	Straight 5/8"x3/4" Yokebox Ball Valve for 1" Female Iron Pipe
YBBVL23-231-NL	Straight 5/8" Yokebox Ball Valve for 3/4" Flare Copper
YBBV23-232-NL	Straight 5/8"x3/4" Yokebox Ball Valve for 3/4" Flare Copper
▶ YBBVL43-231-NL	Straight 5/8" Yokebox Ball Valve for 3/4" CTS*
▶ YBBV43-232-NL	Straight 5/8"x3/4" Yokebox Ball Valve for 3/4" CTS*
YBBV43-242-NL	Straight 5/8"x3/4" Yokebox Ball Valve for 1" CTS*
▶ YBBV63-232-NL	Straight 5/8"x3/4" Yokebox Ball Valve for 3/4" PEP
YBBV73-232-NL	Straight 5/8"x3/4" Yokebox Ball Valve for 3/4" PVC

\* Grip Joint for CTS and PE Pipe is available. Add "-G" to the catalog number.

▶ Ultra-Tite is available. Add "U-NA" to the catalog number (shipped unassembled).

Installation screws are included with Yokebox valves and outlet pieces

# Ford Long Yokeboxes for 1" Meters

Center Line of Meter 9" Below Grade  
Straight Inlet - Straight Outlet



## STRAIGHT BALL VALVE INLET - STRAIGHT BALL VALVE OUTLET

CATALOG NUMBER	DESCRIPTION		APPROX. WT. LBS.
	INLET	OUTLET	
LYLBB111-444-NL	1" Female Iron Pipe Threads	1" Female Iron Pipe Threads	77.0
LYLBB121-444-NL	1" Flare Copper	1" Female Iron Pipe Threads	77.0
LYLBB122-444-NL	1" Flare Copper	1" Flare Copper	77.0
▶♦ LYLBB141-444-NL	1" Pack Joint for Copper or Plastic Tubing (CTS)*	1" Female Iron Pipe Threads	77.0
▶♦ LYLBB144-444-NL	1" Pack Joint for Copper or Plastic Tubing (CTS)*	1" Pack Joint for Copper or Plastic Tubing (CTS)*	77.0

\* **Grip Joint** is available. Add "-G" to the catalog number.

♦ **Quick Joint** is available. Add "-Q" to the catalog number.

▶ **Ultra-Tite** is available. Add "U-NA" to the catalog number (shipped unassembled).

All Ford Long Yokeboxes are standard with an ASSE 1024 approved Cartridge Style Dual Check Valve contained completely within the box.



## Ordering Information

The ball valve inlet and outlet attach to the 1" Long Yokebox by using a brass lock nut. Brass components are not assembled to box in order to prevent damage during shipping, storage, and handling.

Gaskets are furnished – Flat gaskets for valve and outlet saddles; beveled and flat gaskets for expansion connections.

Ford 1" Long Yokeboxes have an iron locking lid standard.

Plastic Lid available, add "-P" to catalog number.

Plastic Lid with ERT Bracket available, add "-PB" to catalog number.

A lockable expansion connection option is available. See pages 7 and 37.

# Ford Long Yokeboxes for 1" Meters

## Options, Accessories and Parts

### EXPANSION CONNECTION OPTIONS FOR 1" LONG YOKEBOXES

CATALOG NUMBER	DESCRIPTION
EC-4-NL	Expansion Connection for 1" Meter
ECL-4-NL	Locking Expansion Connection for 1" Meter <b>without</b> Security Screw
ECL-4-SSF-NL	Locking Expansion Connection for 1" Meter <b>with</b> Security Screw
GT-211	1" Flat Expansion Connection Gasket
GT-123	1" Rubber Gasket for Saddle
GT-34	1" Beveled Expansion Connection Gasket
BOLT-800998-SSF	Security Screw (fits all Ford Locking Expansions)
KEY-800999-SSF	Security Screw Access Tool
NUT-DR-040072-SSF	Magnetic Handle, Less Access Tool

### VALVES AND PARTS FOR 1" LONG YOKEBOXES

CATALOG NUMBER	DESCRIPTION	APPROX. WT. LBS.
HHC133-444-3-937PE-NL	Cartridge Style Dual Check Valve for 1" Long Yokebox	2.8
LYBB-4	Body Assembly for 1" Long Yokebox	57.5
LY4GA	Iron Grade Adjuster for 1" Long Yokebox	19.4
LY4IR-2	2" Iron Riser for 1" Long Yokebox	11.9
LYL-4	Iron Locking Long Yokebox Lid for 1" Long Yokebox	10.2
LYLP-4	Plastic Locking Long Yokebox Lid for 1" Long Yokebox	2.4
LYLP-4-BR	Plastic Locking Long Yokebox Lid with ERT Bracket for 1" Long Yokebox	2.6
PBR-YJ	Plastic ERT Bracket with (3) Stainless Steel Clips (field installation only)	0.2
YBBV13-344W-NL	1" Long Yokebox Ball Valve for 1" FIP	3.1
YBBV43-344W-NL	1" Long Yokebox Ball Valve with Pack Joint for 1" CTS	3.4
YBBV43-344W-G-NL	1" Long Yokebox Ball Valve with Grip Joint for 1" CTS	3.4
YBBV43-344W-Q-NL	1" Long Yokebox Ball Valve with Quick Joint for 1" CTS	3.5
YBBV43-344W-U-AWT-NL	1" Long Yokebox Ball Valve with Ultra-Tite for 1" CTS	4.5
YBBV23-344W-NL	1" Long Yokebox Ball Valve for 1" Flare Copper	3.8

### OPTIONS AND ACCESSORIES FOR 1" LONG YOKEBOXES

CATALOG NUMBER	DESCRIPTION
TP	Removable Cast Iron Plug for Electronic Meter Reading Module Hole (with cotter pin)
TP-PIN-800846	Cotter Pin Only for Cast Iron Plug
Add "-SP" to Catalog Number	Spacer in Lieu of Dual Check Valve; Example: LYLB141-444-SP-NL
Add "P" to Catalog Number	Locking Plastic Lid; Example: LYLB141-444-P-NL
Add "-PB" to Catalog Number	Locking Plastic Lid with ERT bracket; Example: LYLB141-444-PB-NL
Add "-T" to Catalog Number	Electronic Read Iron Lid (2" hole); Example: LYLB141-444-T-NL
Add "-TP" to Catalog Number	Electronic Read Iron Lid (2" hole) with Removable Plug; Example: LYLB141-444-TP-NL
Add "-PTP" to Catalog Number	Electronic Meter Read Feature on Lid (2" hole) with Removable Plastic Plug and Nut Example: YL144-444-PTP-NL
Add "-PTP-BR" to Catalog Number	Electronic Meter Read Feature on Lid (2" hole), with Removable Plastic Plug and ERT Bracket; Example: YL144-444-PTP-BR-NL
Add "-XA" to Catalog Number	Locking Expansion Connection <b>without</b> Ford Security Screw; Example: LYLB141-444-XA-NL
Add "-XB" to Catalog Number	Locking Expansion Connection <b>with</b> Ford Security Screw; Example: LYLB141-444-XB-NL
PTP	Removable Plastic Plug/Nut for Electronic Meter Reading Lid Hole
PTP-BR	Removable Plastic Plug for Electronic Meter Reading Lid Hole with ERT Bracket
MBLK	Yokebox Lid Key
MBUK	Meter Box Universal Key for Locking Lids, Lockless Lids and Yokebox Valves

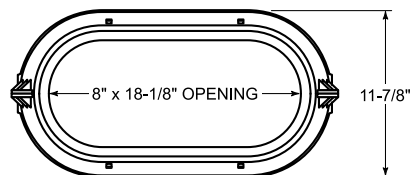
### Long Yokebox for 1" Meter Dimensions

The Long Yokebox includes three iron castings

1. A two-piece body.
2. A locking lid. (plastic available)

The 1" Long Yokebox comes with straight ball valves only.

Various types of connections for pipe and tubing are available.





# Ford Gulfbox

## Specifications and Information

### Gulfboxes for 5/8" and 5/8"x3/4" Meters



Gulfboxes are complete, compact meter-setting packages, which are installed as a unit. The body and the lid of the boxes are made from durable cast iron, for decades of trouble-free service. The Gulfbox provides automatic spacing and alignment for the meter, which can be inserted at any time during or after the installation of the meter box. The inlet, outlet and expansion connection are waterworks brass meeting the latest revision of AWWA Standard C800. The Long Gulfbox dual cartridge check valves have ASSE 1024 approval.

Gulfboxes are ideal water meter housings for moderate and warm climates. They offer the following valuable features:

1. **Protection for the meter** – protection for pedestrians because of the small lid area and a secure lock.
2. **Rapid meter reading.**
3. **Quality Ford service valves** – accessible and easily operated – designed for years of trouble-free service.
4. **Quick, easy, and wrench-free meter changing.**
5. **Deterrent for unauthorized water use when the meter is removed** – see description of the expansion connection on page 7.
6. **The largest variety of service line connections in the industry including an optional cartridge dual check valve.**
7. **Economical installation, requiring only minimal excavation.**



## Gulfbox Features

**The Standard Gulfbox includes two iron castings:** A body casting and a locking lid. (plastic locking lid optional)

**Three brass items complete the unit:** Inlet, outlet and an expansion connection.

**The Gulfbox is designed for meter settings** where shallow service lines are safe from freezing. Connections to the service line are 5-3/4" below the ground surface.

**The inlet and outlet connections are horizontal only.** (see drawing on page C-42)

**A "Long" Style Gulfbox is available** to accommodate a cartridge style dual check valve.

**The Gulfbox includes a specially adapted ball valve** for dependable service control.

**The Gulfbox can be set on a standard concrete slab** available locally at moderate cost.

**The Gulfbox is large enough to hold 5/8" or 5/8"x3/4" modern magnetic or multi-jet meters.**

**The Gulfbox is a complete meter setting for warm climates, offering unmatched economy.**

**Gulfbox lid options are available as listed for the Yokebox.** (see page C-5)

# Ford Gulfbox Features

The Gulfbox is designed to hold modern magnetic or multi-jet, 5/8" and 5/8"x3/4" meters. It is installed in the service line as a unit. The body casting and the lid are made of cast iron meeting ASTM A48, Class 25 (25,000 psi tensile strength). All brass connections are waterworks brass meeting the latest revision of AWWA Standard C800.

The body casting is tapered, oval in shape, strong enough to support light traffic, and withstand service line strains. Its compact design makes it light to handle and easy to install with minimal excavation.

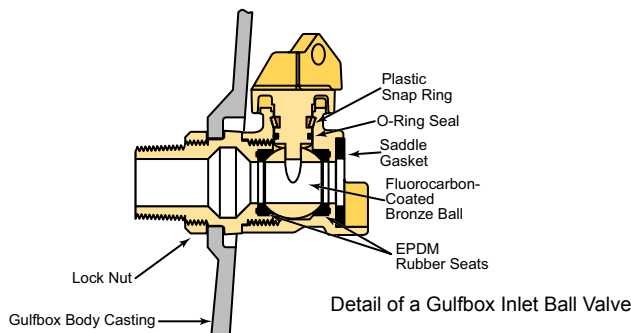
The Gulfbox comes equipped with straight inlet and outlet connections only. Connections to the service line are made at 5-3/4" below the surface. This is a standard item, measuring about 8"x16", commonly available at low cost. Notches around the bottom of the body casting provide drainage. The Gulfbox can be set on a concrete block or a special cast iron bottom plate is also available at extra cost.

The expansion connection provides for rapid and trouble-free meter changes and the ball valve provides quick and sure shut-offs. The expansion connection is removed with the meter, deterring unauthorized use of water. The Gulfbox provides automatic spacing and alignment for the meter, which can be inserted anytime during or after installation. See page 7 for expansion connection options.

Gulfboxes include Ford Ball Valves, which are ideal for water service control. They are easy to turn, do not stick or bind, are water tight in both directions, and have minimum pressure loss. The valve is attached securely to the cast iron body of the Gulfbox and is convenient for operation.

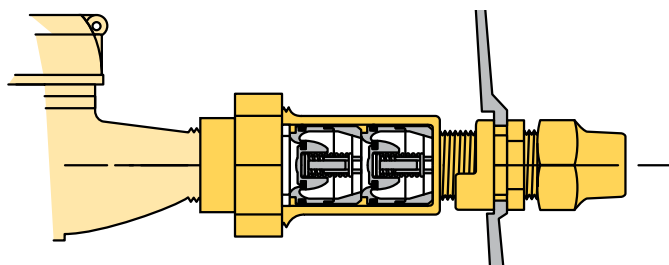
**The Gulfbox provides an economical meter setting in climates where shallow service lines are safe from freezing.**

## Design features of Valves used in Ford Gulfboxes



Detail of the specially adapted ball valve – standard equipment on all Ford Gulfbox inlets. The ball “floats” between EPDM rubber seats. Stem and tee head are one piece and are securely pinned to the body of the valve.

Ball valve with pack joint inlet (pack joints are described in Section J) provide a simple, quick, permanent connection to copper or plastic tubing. Couplings for other types of service lines are also listed in Section J.



The Ford Cartridge Dual Check Valve, ASSE 1024 approved, is standard with the Long Gulfbox. The Ford design places the cartridge dual check valve inside the box. The “Long Gulfbox” design provides easy access to the cartridges for maintenance.

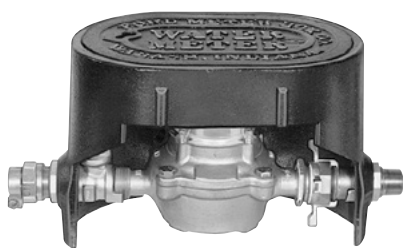


A variety of couplings are available including grip joints for copper or plastic tubing or PE pipe. Pack joints for copper or plastic tubing, PVC and PE pipe are also available.

## Gulfbox Specifications

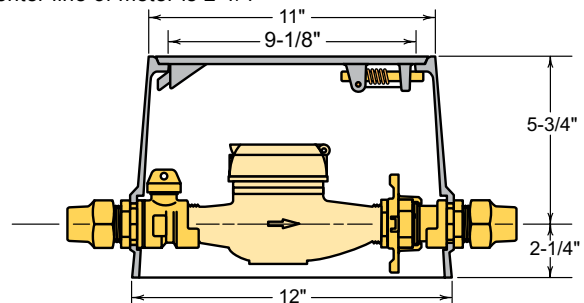
**The Gulfbox includes two iron castings:**

1. An upper body casting.
2. A locking lid. (lockless iron lids are available upon request.)



Gulfbox cut-away showing inlet ball valve and outlet connection, and expansion connection for easy removal of meter.

The Gulfbox is designed for modern 5/8" and 5/8"x3/4" magnetic or multi-jet meters. The maximum permissible meter height above center line of meter is 5"; maximum depth below center line of meter is 2-1/4"



**A Straight Cartridge Dual Check Valve on the outlet of the meter is included with the Long Gulfbox.** Various types of connections for pipe and tubing are available for the inlet and outlet of the Gulfbox.

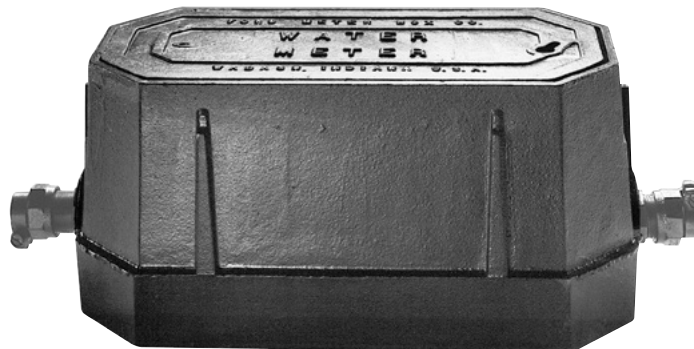
# Ford Gulfboxes

For 5/8" Meters



Gulfboxes for 5/8" Meter

CATALOG NUMBER	DESCRIPTION		APPROX. WT. LBS.
	INLET	OUTLET	
G122-111-NL	1/2" Flare Copper	1/2" Flare Copper	28.0
G122-133-NL	3/4" Flare Copper	3/4" Flare Copper	28.0
G128-133-NL	3/4" Flare Copper	3/4" Male Iron Pipe Threads	28.0
▶ G144-133-NL	3/4" Pack Joint for Copper or Plastic Tubing (CTS)*	3/4" Pack Joint for Copper or Plastic Tubing (CTS)*	28.0
▶ G148-133-NL	3/4" Pack Joint for Copper or Plastic Tubing (CTS)*	3/4" Male Iron Pipe Threads	28.0
G188-133-NL	3/4" Male Iron Pipe Threads	3/4" Male Iron Pipe Threads	28.0



Long Gulfboxes for 5/8" Meter with Cartridge Dual Check Valve

CATALOG NUMBER	DESCRIPTION		APPROX. WT. LBS.
	INLET	OUTLET	
GHC122-133-NL	3/4" Flare Copper	3/4" Flare Copper	34.0
▶ GHC144-133-NL	3/4" Pack Joint for Copper or Plastic Tubing (CTS)*	3/4" Pack Joint for Copper or Plastic Tubing (CTS)*	34.0
▶ GHC148-133-NL	3/4" Pack Joint for Copper or Plastic Tubing (CTS)*	3/4" Male Iron Pipe Threads	34.0
GHC188-133-NL	3/4" Male Iron Pipe Threads	3/4" Male Iron Pipe Threads	34.0

## Ordering Information

Brass components are not assembled to box in order to prevent damage during shipping, storage and handling.

Ford Gulfboxes have a locking iron lid as standard. An optional lockless iron lid can be ordered by adding "-LL" to the end of the catalog number.

\* **Grip Joint** for CTS is available. Add "-G" to the catalog number.

▶ **Ultra-Tite** is available. Add "U-NA" to the catalog number (shipped unassembled).

Special lettering on lids is available – contact factory for more information.

Standard gulfboxes are available with plastic lids, add "-P" to the catalog number. Example: G144-133-P-NL

Gulfbox plastic lids, are available with an ERT bracket, add "-PB" to the catalog number.

Special expansion connection options are available. See pages 7 and 45.

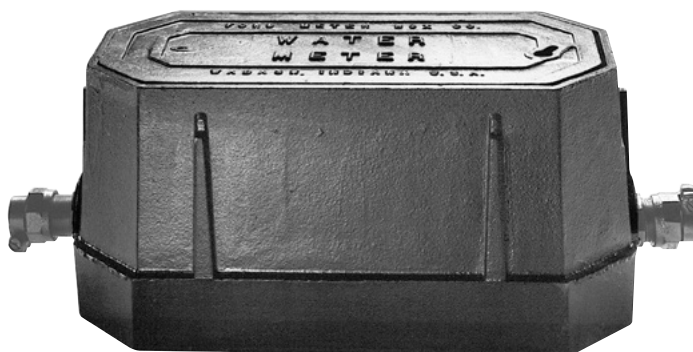
# Ford Gulfboxes

For 5/8"x3/4" Meters



Gulfboxes for 5/8"x3/4" Meter

CATALOG NUMBER	DESCRIPTION		APPROX. WT. LBS.
	INLET	OUTLET	
G122-211-NL	1/2" Flare Copper	1/2" Flare Copper	28.0
G122-233-NL	3/4" Flare Copper	3/4" Flare Copper	28.0
G128-233-NL	3/4" Flare Copper	3/4" Male Iron Pipe Threads	28.0
▶ G144-233-NL	3/4" Pack Joint for Copper or Plastic Tubing (CTS)*	3/4" Pack Joint for Copper or Plastic Tubing (CTS)*	28.0
▶ G148-233-NL	3/4" Pack Joint for Copper or Plastic Tubing (CTS)*	3/4" Male Iron Pipe Threads	28.0
G188-233-NL	3/4" Male Iron Pipe Threads	3/4" Male Iron Pipe Threads	28.0



Long Gulfboxes for 5/8"x3/4" Meter with Cartridge Dual Check Valve

CATALOG NUMBER	DESCRIPTION		APPROX. WT. LBS.
	INLET	OUTLET	
GHC122-233-NL	3/4" Flare Copper	3/4" Flare Copper	34.0
▶ GHC144-233-NL	3/4" Pack Joint for Copper or Plastic Tubing (CTS)*	3/4" Pack Joint for Copper or Plastic Tubing (CTS)*	34.0
▶ GHC148-233-NL	3/4" Pack Joint for Copper or Plastic Tubing (CTS)*	3/4" Male Iron Pipe Threads	34.0
GHC188-233-NL	3/4" Male Iron Pipe Threads	3/4" Male Iron Pipe Threads	34.0

## Ordering Information

Brass components are not assembled to box in order to prevent damage during shipping, storage and handling.

Ford Gulfboxes have a locking iron lid as standard. An optional lockless iron lid can be ordered by adding "-LL" to the end of the catalog number.

\* **Grip Joint** for CTS is available. Add "-G" to the catalog number.

▶ **Ultra-Tite** is available. Add "U-NA" to the catalog number (shipped unassembled).

Special lettering on lids is available – contact factory for more information.

Standard gulfboxes are available with plastic lids, add "-P" to the catalog number. Example: G144-233-P-NL

Gulfbox plastic lids, are available with an ERT bracket, add "-PB" to the catalog number.

Special expansion connection options are available. See pages 7 and 45.

# Ford Gulfboxes

## Options, Accessories and Parts

### OPTIONS AND ACCESSORIES FOR GULFBOXES

CATALOG NUMBER	DESCRIPTION
9501	Grade Adjuster (shown in catalog)
MBVW	Gulfbox Valve Wrench (18" long)
MBLK	Gulfbox Lid Key
MBUK	Meter Box Universal Key for Locking Lids, Lockless Lids and Meter Valves
PTP	Removable Plastic Plug/Nut for Electronic Meter Reading Lid Hole
PTP-BR	Removable Plastic Plug for Electronic Meter Reading Lid Hole with ERT Bracket
TP	Removable Cast Iron Plug for Electronic Meter Reading Lid Hole (includes cotter pin)
Add "-RL" to Catalog Number	Meter Box Reading Lid (hinged cast iron flap), Instead of Standard Lid; Example: G122-233-RL-NL
Add "P" to Catalog Number	Plastic Locking Lid
Add "-PB" to Catalog Number	Plastic Locking Lid with ERT Bracket
Add "-PTP" to Catalog Number	Electronic Meter Read Feature on Lid (2" hole) with Removable Plastic Plug and Nut; Example: YL144-444-PTP-NL
Add "-PTP-BR" to Catalog Number	Electronic Meter Read Feature on Lid (2" hole), with Removable Plastic Plug and ERT Bracket; Example: YL144-444-PTP-BR-NL
Add "-T" to Catalog Number	Electronic Read Iron Lid (2" hole); Example: G122-233-T-NL
Add "-TP" to Catalog Number	Electronic Read Iron Lid (2" hole) with Removable Iron Plug; Example: G122-233-TP-NL
Add "-RW" to Catalog Number	"RECLAIMED WATER" Lettering on Locking Yokebox Iron Lid; Example: G122-233-RW-NL
Add "-RWC" to Catalog Number	"RECLAIMED WATER" Lettering on Purple Locking Yokebox Iron Lid; Example: G122-233-RWC-NL
Add "-G" to Catalog Number	<b>Grip Joint</b> for CTS (3/4" & 1"); Example: G144-233-G-NL
Add "W" to Catalog Number	Padlock Wing on Gulfbox Inlet Valve; Example: G188-233W-NL
Add "XA" to Catalog Number	Locking Expansion Connection <b>without</b> Ford Security Screw
Add "XB" to Catalog Number	Locking Expansion Connection <b>with</b> Ford Security Screw
Add "XC" to Catalog Number	Expansion Connection with Dual Check Valves for Standard Yokeboxes
Add "XD" to Catalog Number	Locking Expansion Connection <b>without</b> Ford Security Screw with Dual Check Valves for Standard Yokeboxes
Add "XE" to Catalog Number	Locking Expansion Connection <b>with</b> Ford Security Screw with Dual Check Valves for Standard Yokeboxes

### GULFBOX PARTS

CATALOG NUMBER	DESCRIPTION
YL	Iron Locking Lid
YLP	Plastic Locking Lid
YLP-BR	Plastic Locking Lid with ERT Bracket
YL-LUG	Iron Locking Lid with Guide Lugs
YL-RW	Iron Locking Lid with "RECLAIMED WATER" Lettering
YL-RWC	Purple Locking Lid with "RECLAIMED WATER" Lettering
YL-T	Iron Locking Electronic Read Lid (2" hole)
MBRL	Iron Locking Electronic Read Lid with Hinged Cast Iron Flap
MBRL-LL	Iron Lockless Meter Reading Lid with Hinged Cast Iron Flap
YLL	Iron Lockless Lid
GBIB	Iron Body Casting
GBBP	Gulfbox Bottom Plate
GBO23-11-NL	Outlet for 5/8" Meter with 1/2" Flared Copper Connection
GBO23-31-NL	Outlet for 5/8" Meter with 3/4" Flared Copper Connection
GBO23-32-NL	Outlet for 5/8"x3/4" Meter with 3/4" Flared Copper Connection
►GBO43-31-NL	Outlet for 5/8" Meter with Pack Joint Connection for 3/4" Copper or Plastic Tube (CTS)*
►GBO43-32-NL	Outlet for 5/8"x3/4" Meter with Pack Joint Connection for 3/4" Copper or Plastic Tube (CTS)*
GBO83-31-NL	Outlet for 5/8" Meter with 3/4" Male Iron Pipe Threads
GBO83-32-NL	Outlet for 5/8"x3/4" Meter with 3/4" Male Iron Pipe Threads
GBV23-11-NL	Ball Valve for 5/8" Meter with Inlet for 1/2" Flared Copper
GBV23-31-NL	Ball Valve for 5/8" Meter with Inlet for 3/4" Flared Copper
* GBV23-32-NL	Ball Valve for 5/8"x3/4" Meter with Inlet for 3/4" Flared Copper
*►GBV43-32-NL	Ball Valve for 5/8" Meter with Pack Joint Inlet for 3/4" Copper or Plastic Tube (CTS)*
►GBV43-31-NL	Ball Valve for 5/8"x3/4" Meter with Pack Joint Inlet for 3/4" Copper or Plastic Tube (CTS)*
GBV83-31-NL	Ball Valve for 5/8" Meter with 3/4" Male Iron Pipe Thread Inlet
* GBV83-32-NL	Ball Valve for 5/8"x3/4" Meter with 3/4" Male Iron Pipe Thread Inlet
GLN	Lock Nut only (lock nuts are included with valves and outlets)
EC-1-NL	Expansion Connection for 5/8" Meter
EC-1-OR-H2-NL	Expansion Connection for 5/8" Meter, with Dual Check Valves
ECL-1-NL	Locking Expansion Connection for 5/8" Meter <b>without</b> Security Screw
ECL-1-SSF-NL	Locking Expansion Connection for 5/8" Meter <b>with</b> Security Screw
ECL-1-OR-H2-NL	Locking Exp. Conn. for 5/8" Meter <b>without</b> Security Screw, with Dual Check Valves
ECL-1-OR-H2-SSF-NL	Locking Exp. Conn. for 5/8" Meter <b>with</b> Security Screw, with Dual Check Valves
EC-23-NL	Expansion Connection for 5/8"x3/4" Meter
EC-23-OR-H2-NL	Expansion Connection for 5/8"x3/4" Meter, with Dual Check Valves
ECL-23-NL	Locking Expansion Connection for 5/8"x3/4" Meter <b>without</b> Security Screw
ECL-23-SSF-NL	Locking Expansion Connection for 5/8"x3/4" Meter <b>with</b> Security Screw
ECL-23-OR-H2-NL	Locking Exp. Conn. for 5/8"x3/4" Meter <b>without</b> Security Screw, with Dual Check Valves
ECL-23-OR-H2-SSF-NL	Locking Exp. Conn. for 5/8"x3/4" Meter <b>with</b> Security Screw, with Dual Check Valves
BOLT-800998-SSF	Security Screw (fits all Ford Locking Expansions)
KEY-800999-SSF	Security Screw Access Tool
NUT-DR-040072-SSF	Magnetic Handle, Less Access Tool
EC-1-OR-H2-RK-NL	Check Valve Repair Kit for EC-1-OR-H2-NL
EC-23-OR-H2-RK-NL	Check Valve Repair Kit for EC-23-OR-H2-NL
GT-32	5/8" Beveled Expansion Connection Gasket
GT-33	5/8"x3/4" Beveled Expansion Connection Gasket
GT-210	5/8" Flat Expansion Connection Gasket
GT-196	5/8"x3/4" Flat Expansion Connection Gasket
GT-112	5/8" Rubber Gaskets for Valve and Outlet Saddles
GT-118	5/8"x3/4" Rubber Gaskets for Valve and Outlet Saddles

Gulfbox gaskets for meters and expansion connections are listed on page C-21.

► Ultra-Tite is available. Add "U-NA" to the catalog number (shipped unassembled).

\*Optional padlock wing for locking valve in closed position and "W" to the catalog number

# Ford Gulfboxes

## Options, Accessories and Parts

### LONG GULFBOX PARTS

CATALOG NUMBER	DESCRIPTION
AYBR-4	4" Grade Adjuster for Long Gulfbox
GHC-L	Iron Locking Lid for Long Gulfbox
GHC-LL	Iron Lockless Lid for Long Gulfbox
GHC-IB	Long Gulfbox Iron Body Casting
GHC-BP	Long Gulfbox Base Plate
GHCR-4	Long Gulfbox 4" Riser (Wt. 12 Lb.)
GHCR-8	Long Gulfbox 8" Riser (Wt. 27 Lb.)
GBOL23-31-NL	Long Gulfbox Outlet for 5/8" Meter with 3/4" Flared Copper Connection
GBOL23-32-NL	Long Gulfbox Outlet for 5/8"x3/4" Meter with 3/4" Flared Copper Connection
▶ GBOL43-31-NL	Long Gulfbox Outlet for 5/8" Meter with P. J. Connection for 3/4" Copper or Plastic Tube (CTS)*
▶ GBOL43-32-NL	Long Gulfbox Outlet for 5/8"x3/4" Meter with P. J. Connection for 3/4" Copper or Plastic Tube (CTS)*
GBOL83-31-NL	Long Gulfbox Outlet for 5/8" Meter with 3/4" Male Iron Pipe Threads
GBOL83-32-NL	Long Gulfbox Outlet for 5/8"x3/4" Meter with 3/4" Male Iron Pipe Threads
HHCI33-311-NL	3/4" Cartridge Style Dual Check for 5/8" Meter
HHCI33-322-NL	3/4" Cartridge Style Dual Check for 5/8"x3/4" Meter

NOTE: Expansion connections and gaskets are listed under Gulfbox Parts on page C-45.

\* Grip Joint for CTS can be ordered by adding "-G" to the catalog number.

▶ Ultra-Tite is available. Add "U-NA" to the catalog number (shipped unassembled).

# Ford Plastic ERT Bracket for Plastic Lids

## For Field Installations Only



### ERT BRACKET FOR YLP OR LYLP LOCKING LID

CATALOG NUMBER	DESCRIPTION	APPROX. WT. LBS.
PBR-YL-LYL	Plastic ERT Bracket with (3) Stainless Steel Clips (field installation only)	0.10
PLBR-YL-LYL	Large Plastic ERT Bracket with (3) Stainless Steel Clips (field installation only)	0.10

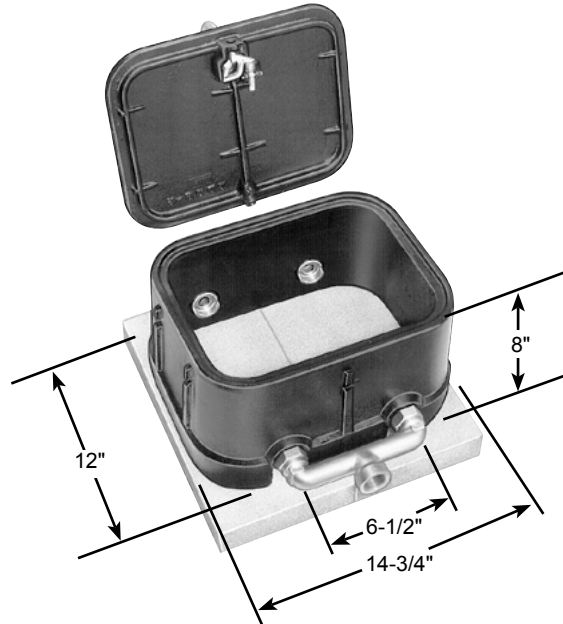
### ERT BRACKET FOR LYLP-4 OR YJLP, YBLP, CBLP LOCKING LID

CATALOG NUMBER	DESCRIPTION	APPROX. WT. LBS.
PBR-YJ	Plastic ERT Bracket with (3) Stainless Steel Clips (field installation only)	0.10

# Ford Double Gulfbox

## For 5/8" Low-Profile Meters

This unique meter housing holds two 5/8" or 5/8"x3/4" modern magnetic or multi-jet meters measuring not over 5" above center line nor more than 2-1/4" below center line. It is installed in the service line as a single unit. Branch piece, valves, expansion connections and outlet pieces are waterworks brass meeting AWWA Specification C800 and latest revisions. The valves are of the ball type. The iron lid and body meet ASTM A48, Class 25 (25,000 psi tensile strength). The Double Gulfbox may be set on two 8" x 16" x 2" concrete blocks, available locally at low cost. The body casting has drain notches. Anchor lugs prevent settling.



### STRAIGHT INLET - STRAIGHT OUTLET

CATALOG NUMBER	DESCRIPTION		APPROX. WT. LBS.
	INLET	OUTLET	
DG112-143-NL	1" Female Iron Pipe	3/4" Flare Copper	42.0
▶ DG114-143-NL	1" Female Iron Pipe	3/4" Pack Joint for Copper or Plastic Tubing (CTS)*	42.0
DG118-143-NL	1" Female Iron Pipe	3/4" Male Iron Pipe	42.0
DG122-143-NL	1" Flare Copper	3/4" Flare Copper	42.0
▶ DG124-143-NL	1" Flare Copper	3/4" Pack Joint for Copper or Plastic Tubing (CTS)*	42.0
DG128-143-NL	1" Flare Copper	3/4" Male Iron Pipe	42.0
▶ DG142-143-NL	1" Pack Joint for Copper or Plastic Tubing (CTS)*	3/4" Flare Copper	42.0
▶ DG144-143-NL	1" Pack Joint for Copper or Plastic Tubing (CTS)*	3/4" Pack Joint for Copper or Plastic Tubing (CTS)*	42.0
▶ DG148-143-NL	1" Pack Joint for Copper or Plastic Tubing (CTS)*	3/4" Male Iron Pipe	42.0

### ANGLE INLET - STRAIGHT OUTLET

CATALOG NUMBER	DESCRIPTION		APPROX. WT. LBS.
	INLET	OUTLET	
DG212-143-NL	1" Female Iron Pipe	3/4" Flare Copper	42.0
▶ DG214-143-NL	1" Female Iron Pipe	3/4" Pack Joint for Copper or Plastic Tubing (CTS)*	42.0
DG218-143-NL	1" Female Iron Pipe	3/4" Male Iron Pipe	42.0
DG222-143-NL	1" Flare Copper	3/4" Flare Copper	42.0
▶ DG224-143-NL	1" Flare Copper	3/4" Pack Joint for Copper or Plastic Tubing (CTS)*	42.0
DG228-143-NL	1" Flare Copper	3/4" Male Iron Pipe	42.0
▶ DG242-143-NL	1" Pack Joint for Copper or Plastic Tubing (CTS)*	3/4" Flare Copper	42.0
▶ DG244-143-NL	1" Pack Joint for Copper or Plastic Tubing (CTS)*	3/4" Pack Joint for Copper or Plastic Tubing (CTS)*	42.0
▶ DG248-143-NL	1" Pack Joint for Copper or Plastic Tubing (CTS)*	3/4" Male Iron Pipe	42.0

### Options Available

Brass components are not assembled to box in order to prevent damage during shipping, storage and handling.

\* **Grip Joint** for CTS is available. Add "-G" to the catalog number.

▶ **Ultra-Tite** is available. Add "U-NA" to the catalog number (shipped unassembled).

**Iron Lids** – Available with or without locks. Please specify your preference in ordering.

**Stainless Steel Bottom Plate** – A stainless steel bottom plate is available. Contact factory for details.

Special expansion connection options are available. See pages 7 and 45.

# Ford Double Gulfbox

For 5/8"x3/4" Low-Profile Meter

Meter Box Lid Key (MBLK)  
sold separately



## STRAIGHT INLET - STRAIGHT OUTLET

CATALOG NUMBER	DESCRIPTION		APPROX. WT. LBS.
	INLET	BOTH OUTLET	
DG112-243-NL	1" Female Iron Pipe	3/4" Flare Copper	42.0
▶ DG114-243-NL	1" Female Iron Pipe	3/4" Pack Joint for Copper or Plastic Tubing (CTS)*	42.0
DG118-243-NL	1" Female Iron Pipe	3/4" Male Iron Pipe	42.0
DG122-243-NL	1" Flare Copper	3/4" Flare Copper	42.0
▶ DG124-243-NL	1" Flare Copper	3/4" Pack Joint for Copper or Plastic Tubing (CTS)*	42.0
▶ DG128-243-NL	1" Flare Copper	3/4" Male Iron Pipe	42.0
▶ DG142-243-NL	1" Pack Joint for Copper or Plastic Tubing (CTS)*	3/4" Flare Copper	42.0
▶ DG144-243-NL	1" Pack Joint for Copper or Plastic Tubing (CTS)*	3/4" Pack Joint for Copper or Plastic Tubing (CTS)*	42.0
▶ DG148-243-NL	1" Pack Joint for Copper or Plastic Tubing (CTS)*	3/4" Male Iron Pipe	42.0

## ANGLE INLET - STRAIGHT OUTLET

CATALOG NUMBER	DESCRIPTION		APPROX. WT. LBS.
	INLET	BOTH OUTLET	
DG212-243-NL	1" Female Iron Pipe	3/4" Flare Copper	42.0
▶ DG214-243-NL	1" Female Iron Pipe	3/4" Pack Joint for Copper or Plastic Tubing (CTS)*	42.0
DG218-243-NL	1" Female Iron Pipe	3/4" Male Iron Pipe	42.0
DG222-243-NL	1" Flare Copper	3/4" Flare Copper	42.0
▶ DG224-243-NL	1" Flare Copper	3/4" Pack Joint for Copper or Plastic Tubing (CTS)*	42.0
DG228-243-NL	1" Flare Copper	3/4" Male Iron Pipe	42.0
▶ DG242-243-NL	1" Pack Joint for Copper or Plastic Tubing (CTS)*	3/4" Flare Copper	42.0
▶ DG244-243-NL	1" Pack Joint for Copper or Plastic Tubing (CTS)*	3/4" Pack Joint for Copper or Plastic Tubing (CTS)*	42.0
▶ DG248-243-NL	1" Pack Joint for Copper or Plastic Tubing (CTS)*	3/4" Male Iron Pipe	42.0

## Options Available

Brass components are not assembled to box in order to prevent damage during shipping, storage and handling.

\* **Grip Joint** for CTS is available. Add "-G" to the catalog number.

▶ **Ultra-Tite** is available. Add "U-NA" to the catalog number (shipped unassembled).

**Iron Lids** – Available with or without locks. Please specify your preference in ordering.

**Stainless Steel Bottom Plate** – A stainless steel bottom plate is available. Contact factory for details.

Special expansion connection options are available. See pages 7 and 49.



# Ford Double Gulfbox

## Options, Accessories and Parts

### VALVES AND PARTS FOR DOUBLE GULFBOXES

CATALOG NUMBER	Description	APPROX. Wt. Lbs.
EC-1-NL	Expansion Connection for 5/8" Meter	0.7
EC-1-OR-H2-NL	Expansion Connection for 5/8" Meter, with Dual Check Valves	0.7
ECL-1-NL	Locking Expansion Connection for 5/8" Meter <b>without</b> Security Screw	0.9
ECL-1-SSF-NL	Locking Expansion Connection for 5/8" Meter <b>with</b> Security Screw	0.9
ECL-1-OR-H2-NL	Locking Expansion Connection for 5/8" Meter <b>without</b> Security Screw, with Dual Check Valves	0.9
ECL-1-OR-H2-SSF-NL	Locking Expansion Connection for 5/8" Meter <b>with</b> Security Screw, with Dual Check Valves	0.9
EC-23-NL	Expansion Connection for 5/8"x3/4" Meter	0.9
EC-23-OR-H2-NL	Expansion Connection for 5/8"x3/4" Meter, with Dual Check Valves	1.0
ECL-23-NL	Locking Expansion Connection for 5/8"x3/4" Meter <b>without</b> Security Screw	1.2
ECL-23-SSF-NL	Locking Expansion Connection for 5/8"x3/4" Meter <b>with</b> Security Screw	1.2
ECL-23-OR-H2-NL	Locking Expansion Connection for 5/8"x3/4" Meter <b>without</b> Security Screw, with Dual Check Valves	1.3
ECL-23-OR-H2-SSF-NL	Locking Expansion Connection. for 5/8"x3/4" Meter <b>with</b> Security Screw, with Dual Check Valves	1.3
BOLT-800998-SSF	Security Screw (fits all Ford Locking Expansions)	0.01
KEY-800999-SSF	Security Screw Access Tool	0.01
NUT-DR-040072-SSF	Magnetic Handle, Less Access Tool	0.3
EC-1-OR-H2-RK	Check Valve Repair Kit for EC-1-OR-H2-NL	0.05
EC-23-OR-H2-RK	Check Valve Repair Kit for EC-23-OR-H2-NL	0.05
DGBB	Iron Body, Less Lid	24.8
DGBL	Lid only for Double Gulfbox	8.9
DGBL-T	Electronic Meter Reading Lid Only for Double Gulfbox (2" hole)	8.9
DBGL-TT	Electronic Meter Reading Lid Only for Double Gulfbox (two 2" holes)	8.9
DGBLL	Lockless Lid Only for Double Gulfbox	8.1
DGIR-2	2" Iron Riser for Double Gulfbox	9.8
DGSSBP	Stainless Steel Base Plate for Double Gulfbox	2.8
MBLK	Yokebox Lid Key	0.5
MBVW	Yokebox Valve Wrench (18" long)	2.0
GT-112	5/8" Rubber Gaskets for Valve and Outlet Saddles	0.01
GT-32	5/8" Beveled Rubber Gasket for EC-1-NL Expansion Connection	0.01
GT-33	3/4" Beveled Rubber Gasket for EC-23-NL Expansion Connection	0.01
GT-210	5/8" Barrel Gasket for EC-1-NL Expansion Connection	0.01
GT-196	3/4" Barrel Gasket for EC-23-NL Expansion Connection	0.01
GT-118	5/8"x3/4" Rubber Gaskets for Valve and Outlet Saddles	0.01

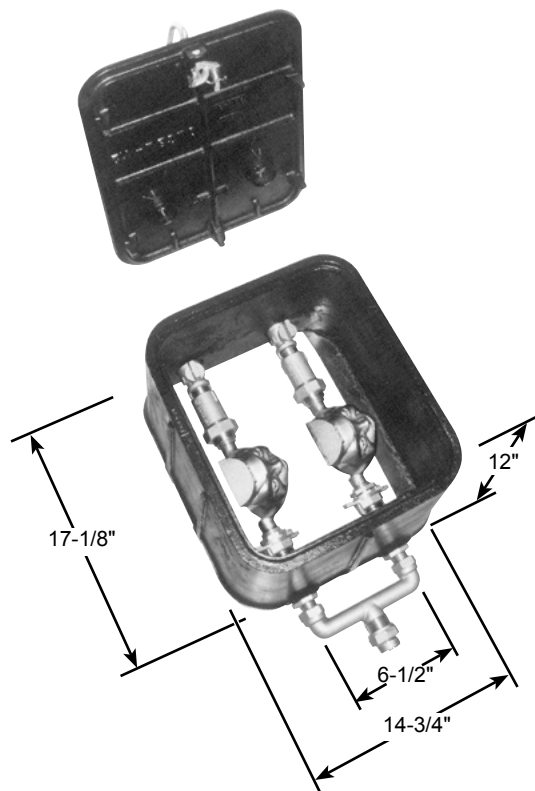
### OPTIONS AND ACCESSORIES FOR DOUBLE GULFBOXES

CATALOG NUMBER	DESCRIPTION
PTP	Removable Plastic Plug/Nut for Electronic Meter Reading Lid Hole
PTP-BR	Removable Plastic Plug for Electronic Meter Reading Lid Hole with ERT Bracket
TP	Removable Cast Iron Plug for Electronic Meter Reading Module Hole (with cotter pin)
<b>Add "-TT" to Catalog Number</b>	Electronic Meter Read Feature on Lid (two 2" holes); Example: DG128-243-TT-NL
<b>Add "-TTP" to Catalog Number</b>	Electronic Meter Read Feature on Lid (two 2" holes) with Removable Plugs; Example: DG128-243-TTP-NL
<b>Add "-XA" to Catalog Number</b>	Locking Expansion Connection <b>without</b> Ford Security Screw; Example: DG128-243-XA-NL
<b>Add "-XB" to Catalog Number</b>	Locking Expansion Connection <b>with</b> Ford Security Screw; Example: DG128-243-XB-NL
<b>Add "-XC" to Catalog Number</b>	Expansion Connection with Dual Check Valves for Standard Yokeboxes; Example: DG128-243-XC-NL
<b>Add "-XD" to Catalog Number</b>	Locking Expansion Connection <b>without</b> Ford Security Screw with Dual Check Valves for Standard Yokeboxes; Example: DG128-243-XD-NL
<b>Add "-XE" to Catalog Number</b>	Locking Expansion Connection <b>with</b> Ford Security Screw with Dual Check Valves for Standard Yokeboxes Example: DG128-243-XE-NL

# Ford Long Double Gulfbox

For 5/8" and 5/8"x3/4" Meter Meter

The Ford Long Double Gulfbox holds two 5/8" or 5/8"x3/4" meters side by side in one housing, along with the added benefit of an ASSE approved Ford Cartridge Dual Check Valve on the outlet of each meter. It is installed in the service line as a single unit. Branch piece, valves, and expansion connections are waterworks brass meeting AWWA Specification C800 and latest revisions. The valves are of the ball type. The iron lid and body meet ASTM A48, Class 25 (25,000 psi tensile strength). The body casting has drain notches. Anchor lugs prevent settling.



## STRAIGHT BALL VALVE INLET - STRAIGHT BALL VALVE OUTLET FOR 5/8" METER

CATALOG NUMBER	DESCRIPTION		APPROX. WT. LBS.
	INLET	BOTH OUTLET	
DGHC118-143-NL	1" Female Iron Pipe	3/4" Male Iron Pipe	70.0
DGHC128-143-NL	1" Flare Copper	3/4" Male Iron Pipe	70.0
▶ DGHC148-143-NL	1" Pack Joint for Copper or Plastic Tubing (CTS)*	3/4" Male Iron Pipe	70.0

## STRAIGHT BALL VALVE INLET - STRAIGHT BALL VALVE OUTLET FOR 5/8" X 3/4" METER

CATALOG NUMBER	DESCRIPTION		APPROX. WT. LBS.
	INLET	BOTH OUTLET	
DGHC118-243-NL	1" Female Iron Pipe	3/4" Male Iron Pipe	70.0
DGHC128-243-NL	1" Flare Copper	3/4" Male Iron Pipe	70.0
▶ DGHC148-243-NL	1" Pack Joint for Copper or Plastic Tubing (CTS)*	3/4" Male Iron Pipe	70.0

### Options Available

Brass components are not assembled to box in order to prevent damage during shipping, storage and handling.

\* **Grip Joint** for CTS is available. Add "-G" to the catalog number.

▶ **Ultra-Tite** is available. Add "U-NA" to the catalog number (shipped unassembled).

Available with iron locking lid only.

Special expansion connection options are available. See pages 7 and 51.

# Ford Long Double Gulfboxes

## Options, Accessories and Parts

### VALVES AND PARTS FOR LONG DOUBLE GULFBOXES

CATALOG NUMBER	Description	APPROX. Wt. Lbs.
<b>EC-1-NL</b>	Expansion Connection for 5/8" Meter	0.7
<b>EC-23-NL</b>	Expansion Connection for 5/8"x3/4" Meter	0.9
<b>ECL-1-NL</b>	Locking Expansion Connection for 5/8" Meter <b>without</b> Security Screw	0.9
<b>ECL-1-SSF-NL</b>	Locking Expansion Connection for 5/8" Meter <b>with</b> Security Screw	0.9
<b>ECL-23-NL</b>	Locking Expansion Connection for 5/8"x3/4" Meter <b>without</b> Security Screw	1.2
<b>ECL-23-SSF-NL</b>	Locking Expansion Connection for 5/8"x3/4" Meter <b>with</b> Security Screw	1.2
<b>BOLT-800998-SSF</b>	Security Screw (fits all Ford Locking Expansions)	0.01
<b>KEY-800999-SSF</b>	Security Screw Access Tool	0.01
<b>NUT-DR-040072-SSF</b>	Magnetic Handle, Less Access Tool	0.3
<b>DGHCB</b>	Long Double Gulfbox Iron Body Casting	43.0
<b>DGHCL</b>	Locking Lid for Long Double Gulfbox	12.0
<b>DGBV83-31-NL</b>	Ball Valve for 5/8" Meter by 3/4" Male Iron Pipe Thread	1.1
<b>DGBV83-32-NL</b>	Ball Valve for 5/8"x 3/4" Meter by 3/4" Male Iron Pipe Thread	1.1
<b>GLN</b>	Lock Nut Only (lock nuts are included with valve and outlet)	-
<b>MBLK</b>	Yokebox Key Lid	0.5
<b>MBVW</b>	Yokebox Valve Wrench (18" long)	2.0
<b>GT-112</b>	5/8" Rubber Gaskets for Valve and Outlet Saddles	0.01
<b>GT-32</b>	5/8" Beveled Rubber Gasket for EC-1-NL Expansion Connection	0.01
<b>GT-33</b>	3/4" Beveled Rubber Gasket for EC-23-NL Expansion Connection	0.01
<b>GT-210</b>	5/8" Barrel Gasket for EC-1-NL Expansion Connection	0.01
<b>GT-196</b>	3/4" Barrel Gasket for EC-23-NL Expansion Connection	0.01
<b>GT-118</b>	5/8"x3/4" Rubber Gaskets for Valve and Outlet Saddles	0.01
<b>HHCI33-311-3-531PE-NL</b>	3/4" Cartridge Dual Check Valve for 5/8" Meter	1.4
<b>HHCI33-322-3-53-PE-NL</b>	3/4" Cartridge Dual Check Valve for 5/8"x3/4" Meter	1.4

### OPTIONS AND ACCESSORIES FOR LONG DOUBLE GULFBOXES

CATALOG NUMBER	DESCRIPTION
<b>PTP</b>	Removable Plastic Plug/Nut for Electronic Meter Reading Lid Hole
<b>PTP-BR</b>	Removable Plastic Plug for Electronic Meter Reading Lid Hole with ERT Bracket
<b>TP</b>	Removable Cast Iron Plug for Electronic Meter Reading Module Hole (with cotter pin)
<b>Add "-TT" to Catalog Number</b>	Electronic Meter Read Feature on Lid (two 2" holes); Example: DGHC128-243-TT-NL
<b>Add "-TTP" to Catalog Number</b>	Electronic Meter Read Feature on Lid (two 2" holes) with Removable Plugs; Example: DGHC128-243-TTP-NL
<b>Add "-XA" to Catalog Number</b>	Locking Expansion Connection <b>without</b> Ford Security Screw; Example: DGHC128-243-XA-NL
<b>Add "-XB" to Catalog Number</b>	Locking Expansion Connection <b>with</b> Ford Security Screw; Example: DGHC128-243-XB-NL

# Ford Protector Meter Box

Meter Box Lid Key (MBLK)  
sold separately



Designed for warm climates with minimal frost problems, the Ford **Protector** Meter Box provides maximum security for 1-1/2" and 2" meters. Constructed of quality cast iron, the Protector's strong, lightweight, and compact design simplifies 1-1/2" and 2" service installations and provides a long service life.

The **Protector** provides ample room for modern 1-1/2" and 2" disk or turbine meters, as well as an inlet control valve and an outlet coupling and/or check valve. The bottom is fully enclosed to limit soil or pest intrusion, while a drain hole provides drainage. A three piece locking lid, with the same tamper-proof lock that is supplied with the Ford Yokebox, ensures easy access to the meter and valves while keeping out unauthorized persons.

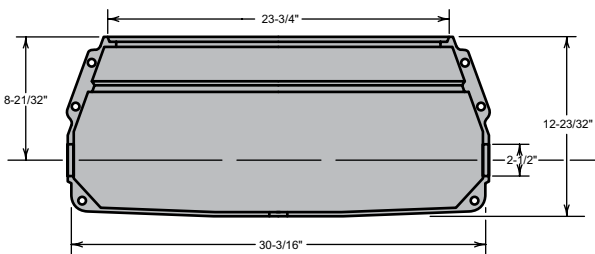
The **Protector** comes standard with a black, Armorguard e-coat epoxy finish (an optional fusion-bonded epoxy coating is available). All non-iron parts of the box are either AWWA specification no-lead brass or silicon bronze (box assembly bolts). For information on optional Ford valves and meter fittings, please see Catalog Sections G and H.

## PROTECTOR METER BOXES

CATALOG NUMBER	DESCRIPTION	APPROX. Wt. Lbs.
FPMB-7	Protector Box with E-coat Finish	135.0
FPMB-7EP	Protector Box with Epoxy Coating	135.0
FPMB-7-T	Protector Box with E-coat Finish and Electronic Read Feature on Lid	135.0

## PARTS FOR PROTECTOR METER BOXES

CATALOG NUMBER	DESCRIPTION	APPROX. Wt. Lbs.
BFP83-676W-NL	1-1/2" Inlet Valve - 2" Male Iron Pipe by 1-1/2" Meter Flange	10.6
BFP83-777W-NL	2" Inlet Valve - 2" Male Iron Pipe by 2" Meter Flange	11.4
FMBR-7	8" Riser for Protector Box	52.0
FPMBL-C-7	Protector Box Center Lid	13.0
FPMBL-E-7	Protector Box End Lid	3.5
FPMBL-E-7-T	Protector Box End Electronic Read Lid	3.5

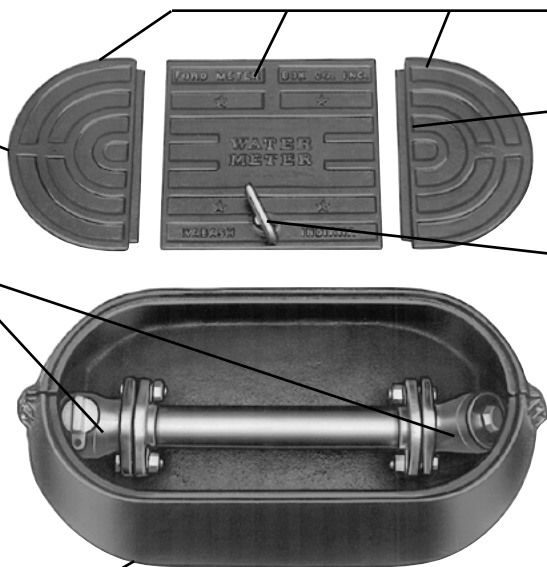


## Features of the Protector Meter Box

Lids have reinforcing gussets for extra strength.

Optional Ford valves and meter fittings can be found in Catalog Sections G and H.

Cast iron body meets ASTM specification A48-Class 25. Available coatings are black, Armorguard e-coat or optional fusion-bonded epoxy meeting Federal Specification L-C-5308.



Three piece locking lid provides security and easy meter reading and installation.

Lugs to keep lid sections from being removed from the box when center lid is locked.

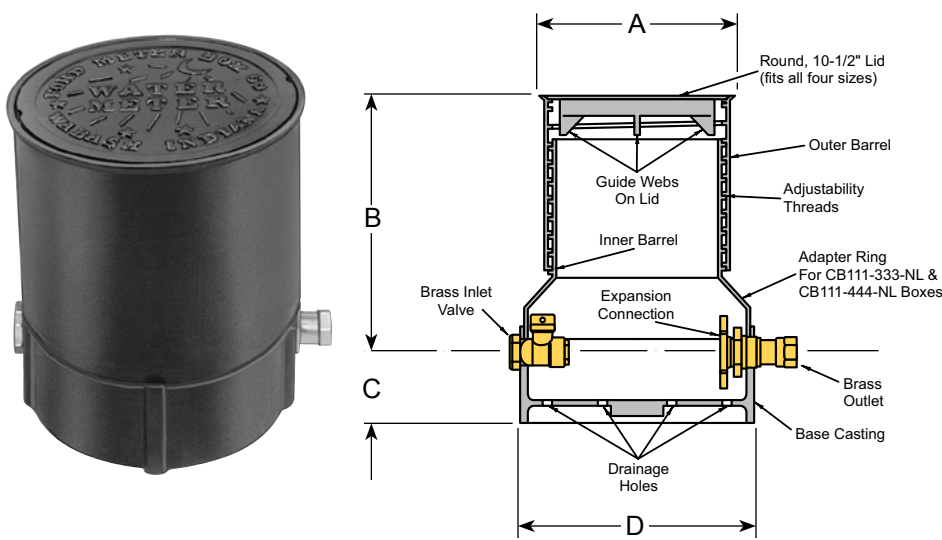
Lock is the same as used on the Ford Yokebox; keys are interchangeable. Meter Box Lid Key (MBLK) sold separately.

Bolts are silicon bronze.

The **Protector** accommodates all modern disk or turbine meters.

# Features of the Ford Crescent Box

For 5/8", 5/8"x3/4", 3/4", and 1" Meters



When setting meters in climates where service lines range from one to two feet in depth, Crescent Boxes offer outstanding advantages. The cast iron box has a built-in vertical adjustability of 7". The barrel of the box is in two parts, with cast threads on both, permitting the outer barrel to be screwed up and down over the inner barrel. The Crescent Box is raised or lowered to adapt easily to site requirements during installation.

At any time the Crescent Box can be quickly adjusted to a new grade or sidewalk level, saving expensive labor hours and possible meter box replacement costs. This feature can be an important factor in providing greater pedestrian safety.

Crescent Boxes are installed in the service line as a unit. The meter can be inserted either during or after installation. These boxes come equipped with straight inlet and outlet connections only.

**Crescent Box Dimensions**

METER SIZE	A	B	C	D
5/8"	12-1/2"	11"—18"	2-3/4"	11-1/4"
5/8"x3/4"	12-1/2"	11"—18"	2-3/4"	11-1/4"
3/4"	12-1/2"	14"—21"	2-3/4"	13"
1"	12-1/2"	15"—22"	4-1/4"	*16"

\* 16" x 12" oval

## Other Crescent Box Features

1. The complete cast iron housing meeting ASTM A48, Class 25 (25,000 psi tensile strength) keeps the meter clean – free from dirt and pests – and easy to read.
2. The box includes a convenient brass inlet valve. The inlet valve, clamping device, and outlet connection are waterworks brass, meeting the latest revision of AWWA Specification C800.
3. Removing or installing meters is quick and simple because of the effective meter clamping device contained in the box (similar in operation to the standard expansion connection described on page 7). Perfect alignment and spacing of service lines is maintained during meter changeouts.
4. Crescent Box locking or lockless iron lids are round, providing a lid opening of 10-1/2". A plastic locking lid is available. See page 5 for description of lock. All lids are interchangeable among the four sizes of boxes listed.

**NOTE:** Iron lockless lids are standard on Crescent Boxes.

## Crescent Box Design



Pictured is the lockless type iron lid – note guide webs and lifting notches. Locking lids are available with the same lock as described on page 5.

Cast iron outer barrel, showing bead around top to prevent settling when installed in concrete.

Cast iron inner barrel, showing threads on outside that screw into threads in outer barrel.

Cast iron base unit holds brass inlet valve, the meter clamping device and outlet connection.

# Ford Crescent Boxes

For 5/8", 5/8"x3/4", 3/4", and 1" Meters

The outer barrel threads of the Crescent Box screw onto the inner barrel threads. By simply rotating the outer barrel on the inner barrel, the overall height of box can be adjusted vertically as much as 7". During installation the Crescent Box can be raised or lowered to match the surface or grade level, after being connected to the service line.

At any time after installation, the Crescent Box can be adjusted to a new grade or sidewalk level. This can save expensive labor hours and even meter box replacement costs.

Below are two pictures of the CB111-233-NL Crescent Box, the first showing the box contracted to its minimum depth of 11", the second showing the same box extended to its maximum depth of 18". The minimum elevation of lid above the center of the service line is 11" for 5/8" (CB111-133-NL) and 5/8"x3/4" (CB111-233-NL) meter sizes; 14" for 3/4" meters (CB111-333-NL); 15-1/2" for 1" meters (CB111-444-NL).

## Crescent Boxes for 3/4" and 1" Meters

CB111-333-NL and CB111-444-NL Crescent Boxes have larger diameter bases than the CB111-133-NL, CB144-133-NL, and CB111-233-NL Crescent Boxes, but use the same size barrels and lids.



## CRESCENT BOXES

CATALOG NUMBER	METER SIZE	DESCRIPTION		APPROX. WT. LBS.
		INLET	OUTLET	
CB111-133-NL	5/8"	3/4" Female Iron Pipe	3/4" Female Iron Pipe	72.0
CB111-233-NL	5/8"x3/4"	3/4" Female Iron Pipe	3/4" Female Iron Pipe	72.0
CB111-333-NL	3/4"	3/4" Female Iron Pipe	3/4" Female Iron Pipe	95.0
CB111-444-NL	1"	1" Female Iron Pipe	1" Female Iron Pipe	109.0
► CB144-133-NL	5/8"	3/4" Pack Joint for Copper or Plastic Tubing (CTS)*	3/4" Pack Joint for Copper or Plastic Tubing (CTS)*	72.0

Add "-T" to the catalog number for electronic meter read feature on lid (2" hole). Example: CB111-233-T-NL.

Brass components are not assembled to box in order to prevent damage during shipping, storage and handling.

\* **Grip Joint** for CTS is available. Add "-G" to the catalog number.

► **Ultra-Tite** is available. Add "U-NA" to the catalog number (shipped unassembled).

**Plastic Locking Lid**, add "-P" to the catalog number. Example: CB144-133-P-NL

**Plastic Locking Lid with ERT Bracket**, add "-PB" to the catalog number. Example: CB144-133-PB-NL

# Ford Crescent Boxes

## Accessories and Parts

### ACCESSORIES FOR CRESCENT BOXES

CATALOG NUMBER	DESCRIPTION
PBR-YJ	Plastic ERT Bracket with (3) Stainless Steel Clips (field installation only)
MBVW	Crescent Box Valve Wrench (18" long)
MBLK	Crescent Box Lid Key
PTP	Removable Plastic Plug/Nut for Electronic Meter Reading Lid Hole
PTP-BR	Removable Plastic Plug for Electronic Meter Reading Lid Hole with ERT Bracket
TP	Removable Cast Iron Plug for Electronic Meter Reading Module Hole (with cotter pin)
Add "-T" to Catalog Number	Electronic Meter Read Feature on Iron Lid (2" hole); Example: CB111-233-T-NL
Add "-PTP" to Catalog Number	Electronic Meter Read Feature on Lid (2" hole) with Removable Plastic Plug and Nut Example: CB111-233-PTP-NL
Add "-PTP-BR" to Catalog Number	Electronic Meter Read Feature on Lid (2" hole) with Removable Plastic Plug and ERT Bracket Example: YL144-444-PTP-BR-NL

### CRESCENT BOX PARTS

CATALOG NUMBER	METER SIZE	DESCRIPTION OF ITEM	APPROX. WT. LBS.
CBL	5/8" thru 1"	Iron Locking Lid	8.0
CBL-T	5/8" thru 1"	Iron Locking Lid with Electronic Read (2" hole)	7.7
CBLP	5/8" thru 1"	Plastic Locking Lid	2.5
CBLP-BR	5/8" thru 1"	Plastic Locking Lid with ERT Bracket	2.6
CBLL	5/8" thru 1"	Iron Lockless Lid	9.5
CBLL-T	5/8" thru 1"	Iron Lockless Lid with Electronic Read (2" hole)	8.7
CBLN	5/8" thru 1"	Crescent Box Lock Nut (included with valves and outlets)	-
CBBA	5/8" thru 1"	Box Inner and Outer Barrel	46.0
CBB-1	5/8" & 5/8"x3/4"	Base Piece	14.5
CBB-3	3/4"	Base Piece	24.0
CBB-4	1"	Base Piece	34.0
CBA-3	3/4"	Box Adapter Ring	7.0
CBA-4	1"	Box Adapter Ring	10.0
CBUB	5/8" thru 1"	One Piece Upper Barrel	17.0
CBV-1-NL	5/8"	Crescent Box Key Valve 3/4" Female Iron Pipe Inlet	2.0
CBV13-231-NL	5/8"	Crescent Box Ball Valve 3/4" Female Iron Pipe Inlet	1.3
CBV13-232-NL	5/8"x3/4"	Crescent Box Ball Valve 3/4" Female Iron Pipe Inlet	1.3
▶ CBV34-313-NL	5/8"	Crescent Box Key Valve 3/4" Pack Joint for CTS Inlet*	1.9
CBEO-1-NL	5/8"	Crescent Box Expansion 3/4" Female Iron Pipe Outlet	1.5
▶ CBEO-4-13-NL	5/8"	Crescent Box Expansion 3/4" Pack Joint for CTS Outlet*	2.0
CBV-2-NL	5/8"x3/4"	Crescent Box Key Valve 3/4" Female Iron Pipe Inlet	1.5
CBEO-2-NL	5/8"x3/4"	Crescent Box Expansion 3/4" Female Iron Pipe Outlet	1.5
CBV-3-NL	3/4"	Crescent Box Key Valve 3/4" Female Iron Pipe Inlet	2.5
CBEO-3-NL	3/4"	Crescent Box Expansion 3/4" Female Iron Pipe Outlet	2.0
CBV-4-NL	1"	Crescent Box Key Valve 1" Female Iron Pipe Inlet	3.5
CBEO-4-NL	1"	Crescent Box Expansion 1" Female Iron Pipe Outlet	3.0

\* Grip Joint for CTS is available. Add "-G" to the catalog number.

▶ Ultra-Tite is available. Add "U-NA" to the catalog number (shipped unassembled).

# Section C

# Ford Meter Boxes

## Warranty

All merchandise is warranted to be free from defects in material and factory workmanship for one year from date of shipment from our factory. We will provide, free of charge, new products in equal quantities for any that prove defective within one year from date of shipment from our factory. Manufacturer shall not be liable for any loss, damage, or injury, direct or consequential, arising out of the use of or the inability to use the product. Before using, user shall determine the suitability of the product for user's intended use and user assumes all risk and liability whatever in connection therewith. No claims for labor or consequential damage will be allowed. The foregoing may not be changed except by agreement signed by an officer of the manufacturer.

No other warranties are applicable or may be implied, including the implied warranty of merchantability and the implied warranty of fitness for particular purpose and any warranty relating to infringement or the like, all of which are disclaimed.

**Parties responsible for monitoring and maintaining proper water system design must exercise full responsibility in understanding and upholding the full intent and scope of applicable lead laws.**

### **Please Note:**

Consult The Ford Meter Box Company, Inc. website ([www.fordmeterbox.com](http://www.fordmeterbox.com)) for the most recent catalog information. The Ford Meter Box Company considers the information in this catalog to be correct at the time of publication. Items and option availability, including specifications, are subject to change without notice. Please verify that your product information is current.



The Ford Meter Box Co., Inc. 775 Manchester Avenue, P.O. Box 443, Wabash, Indiana, USA 46992-0443  
Telephone: 260/563-3171 FAX: 800-826-3487 Overseas FAX: 260/563-0167 [www.fordmeterbox.com](http://www.fordmeterbox.com)