

# NIBCO®

AHEAD OF THE FLOW®



Pneumatic Actuation

# Business-to-Business Solutions

Look to NIBCO for technology leadership.

The velocity with which e-business evolves demands that new products and services be continuously developed and introduced to keep our customers at the center of our business efforts. NIBCO provides an entire suite of business-to-business solutions that is changing the way we interact with customers.



[NIBCOpartner.com<sup>SM</sup>](#) is an exclusive set of secure web applications that allow quick access to customer-specific information and online order processing. This self-service approach gives you 24/7 access to your order status putting you in total control of your business.

Real time information includes:

- Online order entry
- Viewable invoices & reports
- Inventory availability
- Current price checks
- Order status
- Online library of price sheets, catalogs & submittals



**Electronic Data Interchange (EDI)** makes it possible to trade business documents at the speed of light. This technology cuts the cost of each transaction by eliminating the manual labor and paperwork involved in traditional order taking. This amounts to cost-savings, increased accuracy and better use of resources.

With EDI, you can trade:

- Purchase orders
- PO Acknowledgements
- Invoices
- Product activity data
- Advanced ship notices
- Remittance advice



**Vendor Managed Inventory (VMI)**, a sophisticated service for automated inventory management, reduces your overhead by transferring inventory management, order entry and forecasting to NIBCO. This is an on-going, interactive partnership with NIBCO.

Through automation, VMI brings results:

- Improves customer service
- Optimum inventory efficiencies
- Better forecasting
- Cuts transaction costs
- Peace of mind
- Relief from day-to-day management



# General Index

## Pneumatic Actuators

Actuator Operating Details . . . . .	4
Spring Return Actuator Torque Data . . . . .	5
NDA/NSR 2 & 4 . . . . .	6
NDA/NSR 8 - 55 . . . . .	7
NDA/NSR 70 - 150 . . . . .	8
NDA/NSR 250 . . . . .	9
NDA/NSR 400 . . . . .	10
ISO Body Adapter Dimensions . . . . .	11
WD/LD Butterfly Body Adapter Dimensions . . . . .	12
GD/FC & FD Butterfly Body Adapter Dimensions . . . . .	13
NDA/NSR 2 & 4, 70 - 150 Material List . . . . .	14
NDA/NSR 8 - 55 Material List . . . . .	15
Pneumatic Actuation Accessories . . . . .	16 - 17

*Visit our website for the most current information.*

# Actuator Operating Details:

## Basic Actuator Operating Details

<b>ACTUATOR-DA</b>	=	Double Acting	
<b>AIR PORT "A"</b>	=	Air to open - Rotation counter-clockwise	↺
<b>AIR PORT "B"</b>	=	Air to Close - Rotation clockwise	↻
<b>ACTUATOR-SA</b>	=	Spring Return (Fail Close)	
<b>AIR PORT "A"</b>	=	Air to open - Rotation counter-clockwise (Compressing Springs)	↺
<b>AIR PORT "B"</b>	=	Spring to Close - Rotation clockwise	↻
<b>FAIL SAFE OPEN</b>	=	Rotate pistons 180° about own axis (See I.O.M.)	
<b>DRIVE MEDIUM</b>	=	Air (Dry or lubricated); Non corrosive gas; Light Hydraulic Oil <i>For other operating gases or liquids consult your nearest NIBCO distributor</i>	
<b>TEMPERATURE</b>	=	<b>Buna Nitrile "O" Seal</b> <b>FKM "O" Seal</b> °C -40 to +100                      °C -25 to +250 °F -40 to +212                        °F -13 to +482	

### Operation Time (Per Second, 80 psi)

Actuator Size	2	4	8	12	20	35	55	70	100	150	250	400
Double Acting (Open & Close)	<1	<1	<1	1.5	2	2.5	3.5	4	4.5	5	7	12
Spring Return (Open)	<1	<1	<1	1.5	2	2.5	3.5	4	5.5	7	8	13
Spring Return (Closed)	<1	<1	<1	1	1.5	2	3	3	3	4	5	10

*For fast acting actuator contact your nearest NIBCO Distributor*

### Air Consumption Ltr/Stroke (CC x 1000)

Actuator Size	2	4	8	12	20	35	55	70	100	150	250	400
Port 'A' (To Open)	0.09	0.18	0.34	0.49	0.90	1.69	2.80	3.05	5.52	7.60	8.50	13.60
Port 'B' (To Close)	0.12	0.24	0.41	0.64	1.00	1.90	3.40	3.70	5.90	9.60	9.80	17.5

### Overall Actuator Weight

Actuator Size	2	4	8	12	20	35	55	70	100	150	250	400
Double Acting (Lbs.)	2.0	4.0	6.0	9.0	14.0	23.0	40.0	45.0	62.0	89.0	130.0	235.0
Double Acting (Kg)	1.0	1.8	2.8	4.1	6.3	10.5	18.2	20.4	28.4	40.4	59.0	170.0
Spring Return (Lbs.)	2.0	4.0	7.0	10.0	15.0	26.0	45.0	53.0	72.0	106.0	185.0	297.0
Spring Return (Kg)	1.1	1.9	3.1	4.7	7.0	12.0	20.6	24.1	32.6	48.0	84.0	135.0

## Double Acting Actuator Torque Data

Model Number	Air Supply PSI			
	40psi	60psi	*80psi	100psi
NDA2F03	83	125	166	208
NDA4F04	169	253	337	421
NDA8F05	299	448	597	746
NDA12F07	497	746	994	1,243
NDA20F07	819	1,229	1,638	2,048
NDA35F10	1,518	2,276	3,035	3,794
NDA55F12	2,371	3,557	4,742	5,928
NDA70F12	3,345	5,017	6,689	8,361
NDA100F14	4,553	6,829	9,105	11,381
NDA150F14	6,713	10,069	13,425	16,781
NDA250F16	10,741	16,110	21,480	26,850
NDA400F25	19,482	29,228	38,971	48,714

Torque = inch pounds

Torque is the effective rotary power required by a valve or delivered by an actuator (normally stated in inch pounds or foot pounds.)

\* 80 PSI air supply is typical. Maximum pressure 150 PSI.

Visit our website for the most current information.

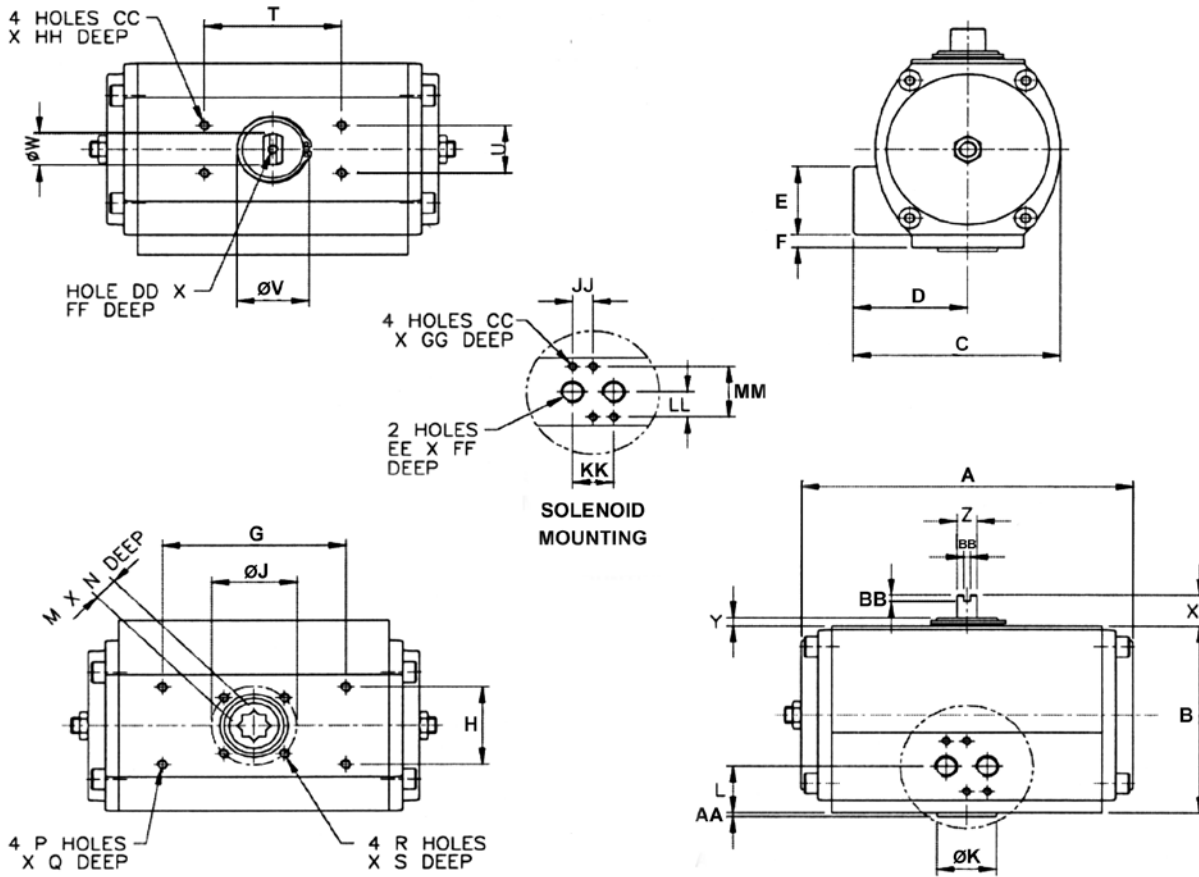
**Spring Return Actuator Torque Data**

Model #	Number of Springs	SPRING STROKE Inch lbs.		ACTUATOR AIR STROKE					
		Start	End	40 PSI		60 PSI		80 PSI	
				Start	End	Start	End	Start	End
<b>NSR2F03</b>	1	23	12	72	60	113	102	154	143
	2	46	24	59	38	101	79	142	120
	3	69	36			89	56	130	97
	4	92	48			77	33	118	74
<b>NSR4F04</b>	1	51	28	141	118	225	202	309	286
	2	102	56	113	67	197	151	281	235
	3	153	84			169	100	252	184
	4	204	112			141	49	225	133
<b>NSR8F05</b>	1	96	52	246	203	396	352	545	501
	2	191	104	194	107	343	257	493	406
	3	287	157			291	161	440	310
	4	382	209					388	215
<b>NSR12F07</b>	1	172	76	421	325	669	574	918	822
	2	343	152	345	154	593	402	842	651
	3	515	228			517	230	766	479
	4	687	304					690	307
<b>NSR20F07</b>	1	273	136	683	546	1092	955	1502	1350
	2	547	273	546	272	956	682	1365	1091
	3	820	409			820	408	1229	818
	4	1094	545					1093	544
<b>NSR35F10</b>	1	414	250	1268	1104	2026	1862	2785	2621
	2	828	500	1018	690	1776	1448	2535	2207
	3	1242	750			1526	1034	2285	1793
	4	1656	1000			1276	620	2035	1379
<b>NSR55F12</b>	1	761	387	1984	1610	3170	2796	4355	3981
	2	1522	774	1597	849	2783	2035	3968	3220
	3	2283	1161			2396	1274	3581	2459
	4	3044	1548			2009	513	3194	1698
<b>NSR70F12</b>	1	1115	528	2817	2229	4489	3902	6161	5574
	2	2230	1055	2289	1114	3962	2786	5634	4459
	3	3346	1583			3434	1671	5106	3343
	4	4461	2110			2907	556	4579	2228
<b>NSR100F14</b>	1	1185	772	3781	3368	6057	5644	8333	7920
	2	2370	1544	3009	2183	5285	4459	7561	6735
	3	3555	2316			4513	3274	6789	5550
	4	4740	3088			3741	2089	6017	4365
<b>NSR150F14</b>	1	2055	1486	5227	4658	8583	8014	11939	11370
	2	4110	2972	3741	2603	7097	5959	10453	9315
	3	6165	4458			5611	3904	8967	7290
	4	8220	5944			4125	1849	7481	5205
<b>NSR250F16</b>	2	2764	1788	8952	7976	14322	13346	19692	18716
	4	5528	3576	7164	5212	12534	10582	17904	15952
	6	8292	5364	5376	2448	10746	7818	16116	13188
	8	11056	7152			8958	5054	14328	10424
	10	13820	8940					12540	7660
	12	16584	10728					10752	4896
<b>NSR400F25</b>	8	12887	8355	11130	6598	20873	16341	30616	26084
	10	16109	10444			18784	13119	28527	22862
	12	19331	12533			16695	9898	26438	19640
	14	22552	14622			14606	6676	24349	16419
	15	24163	15666					23305	14808
	16	25774	16711					22260	13197

† Spring Return actuators are supplied for 80 psi air supply unless otherwise specified.  
‡ Spring Return actuators are supplied in the fail closed position unless otherwise specified.

Visit our website for the most current information.

# NDA/NSR 2 & 4 Actuator Detail:



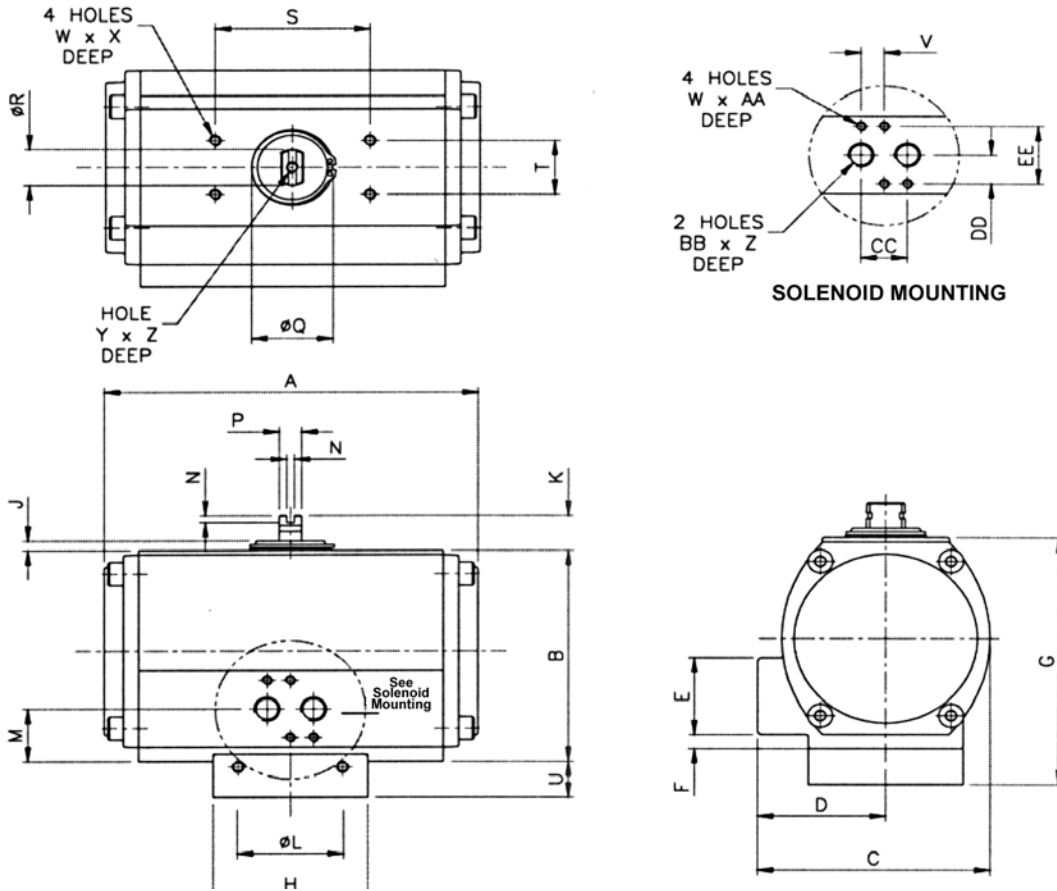
**Dimensions (Inches)**

Size	A	B	C	D	E	F	G	H	$\phi J$	$\phi K$	L	M	N	P(unc)	Q	R(unc)	S	T
2	4.51	2.87	2.97	1.71	1.61	—	2.87	1.26	1.42	0.984	0.81	0.354	0.39	10-24	0.31	10-24	0.31	3.15
4	5.24	3.56	3.44	1.87	1.61	—	2.87	1.26	1.65	1.181	0.81	0.433	0.47	10-24	0.31	10-24	0.31	3.15

Size	U	$\phi V$	$\phi W$	X	Y	Z	AA	BB	CC(UNF)	DD	EE	FF	GG	HH	JJ	KK	LL	MM
2	1.18	0.98	0.63	0.79	0.18	0.45	0.08	0.16	10-32	M6	NPT 1/8	0.5	0.31	0.2	0.47	0.94	0.63	1.26
4	1.18	1.22	0.79	0.79	0.18	0.45	0.08	0.16	10-32	M6	NPT 1/8	0.5	0.31	0.2	0.47	0.94	0.63	1.26

Visit our website for the most current information.

# NDA/NSR 8 to 55 Actuator Detail:



**Dimensions (Inches)**

Size	A	B	C	D	E	F	G	H	J	K	ØL	M	N	P	ØQ	ØR	S	T
8	6.38	4.29	4.13	2.24	1.65	0.30	5.00	3.15	0.20	0.79	1.38	1.06	0.16	0.45	0.79	0.79	3.15	1.18
12	7.64	4.67	4.67	2.64	1.69	0.31	5.45	3.15	0.22	0.79	1.38	1.16	0.16	0.45	0.79	0.79	3.15	1.18
20	8.58	5.53	5.37	2.83	1.69	0.31	6.48	3.54	0.26	0.79	2.17	1.16	0.16	0.75	1.26	1.26	3.15	1.18
35	10.47	6.56	6.14	3.07	1.69	0.33	7.82	4.72	0.28	1.18	2.17	1.18	0.16	0.75	1.26	1.26	3.15	1.18
55	12.28	6.56	7.52	3.76	1.69	0.81	9.55	5.51	0.30	1.18	3.35	1.65	0.16	1.00	1.57	1.57	5.12	1.18

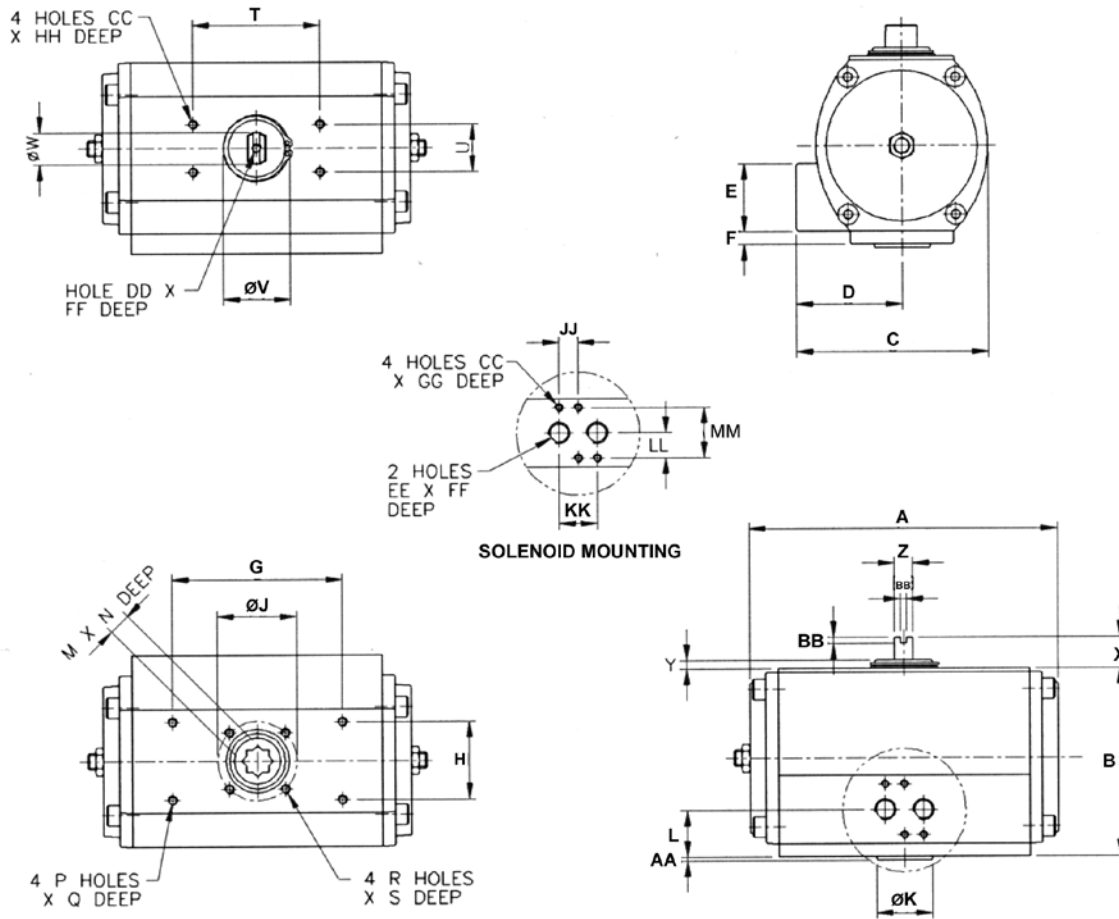
Size	U	V	ØW(UNF)	X	Y	Z	AA	BB	CC	DD	EE
8	0.79	0.47	10-32	0.2	M6	0.5	0.31	NPT 1/4	0.94	0.63	1.26
12	0.79	0.47	10-32	0.2	M6	0.5	0.31	NPT 1/4	0.94	0.63	1.26
20	0.94	0.47	10-32	0.2	M6	0.5	0.31	NPT 1/4	0.94	0.63	1.26
35	1.18	0.47	10-32	0.2	M6	0.5	0.31	NPT 1/4	0.94	0.63	1.26
55	1.38	0.47	10-32	0.2	M6	0.5	0.31	NPT 1/4	0.94	0.63	1.26

**NOTE:** 8-55 units are adaptable for Butterfly Valve direct mount.  
See pages 11 & 12 for body adapter dimensions.

Visit our website for the most current information.



# NDA/NSR 70 to 150 Actuator Detail:



**Dimensions (Inches)**

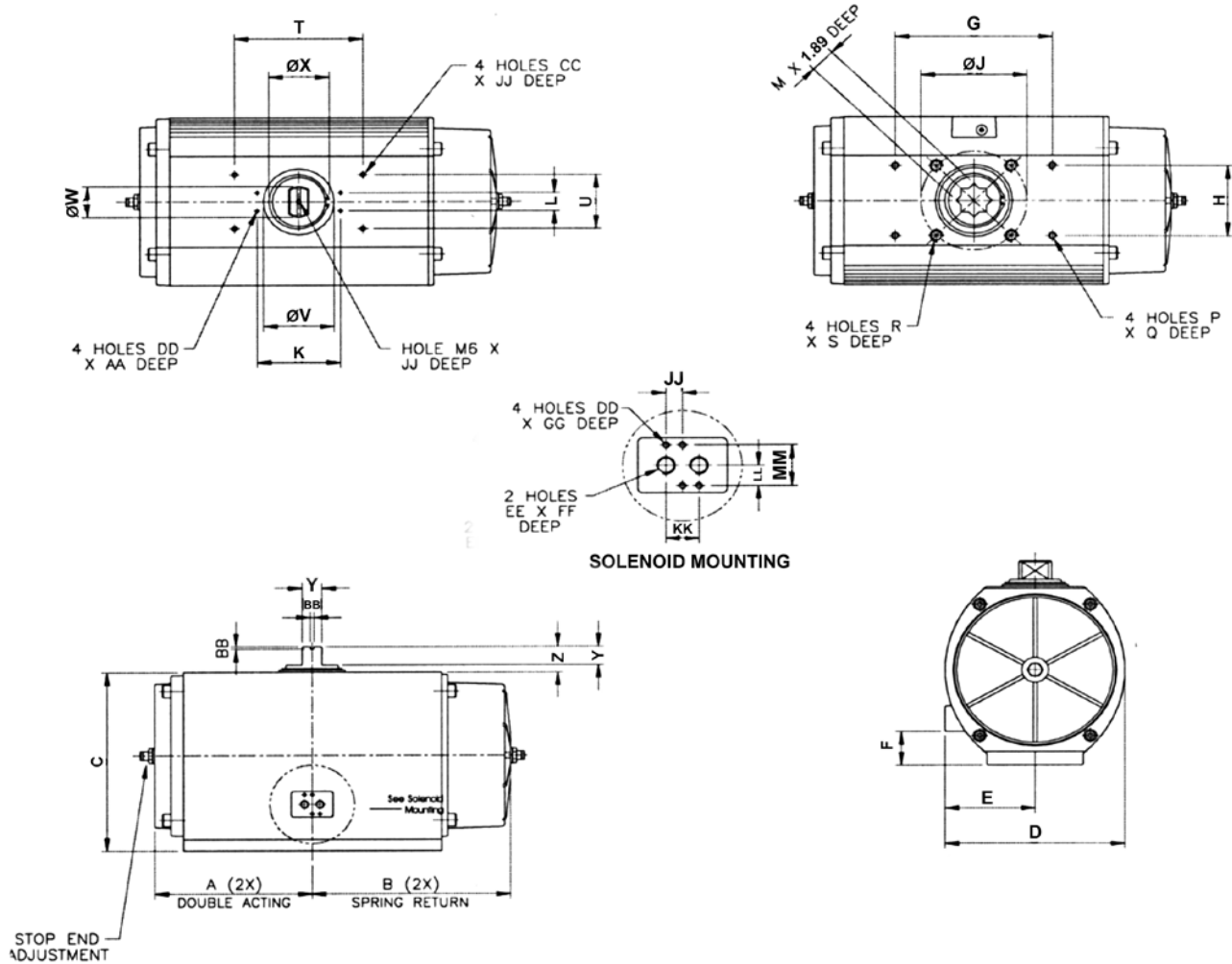
Size	A	B	C	D	E	F	G	H	ØJ	ØK	L	M	N	P(unc)	Q	R(unc)	S	T
<b>70</b>	13.39	8.17	7.52	3.76	1.69	0.81	8.39	4.02	4.92	3.346	1.65	1.063	1.14	5/16-18	0.47	1/2-13	0.79	5.12
<b>100</b>	14.21	9.84	8.94	4.47	1.69	1.56	8.39	4.02	5.51	3.937	2.40	1.417	1.50	3/8-16	0.59	5/8-11	0.98	5.12
<b>150</b>	15.35	11.81	11.02	5.51	1.69	2.22	9.61	4.61	5.51	3.937	3.07	1.417	1.50	1/2-13	0.87	5/8-11	0.98	5.12

Size	U	ØV	ØW	X	Y	Z	AA	BB	CC(UNF)	DD	EE	FF	GG	HH	JJ	KK	LL	MM
<b>70</b>	1.18	2.83	1.57	1.18	0.28	1.00	0.12	0.16	10-32	M6	NPT 1/4	0.50	0.31	0.20	0.47	0.94	0.63	1.26
<b>100</b>	1.18	3.07	1.57	1.18	0.28	1.00	0.16	0.16	10-32	M6	NPT 1/4	0.50	0.31	0.20	0.47	0.94	0.63	1.26
<b>150</b>	1.18	3.07	1.57	1.18	0.28	1.00	0.16	0.16	10-32	M6	NPT 1/4	0.50	0.31	0.20	0.47	0.94	0.63	1.26

Visit our website for the most current information.



# NDA/NSR 250 Actuator Detail:



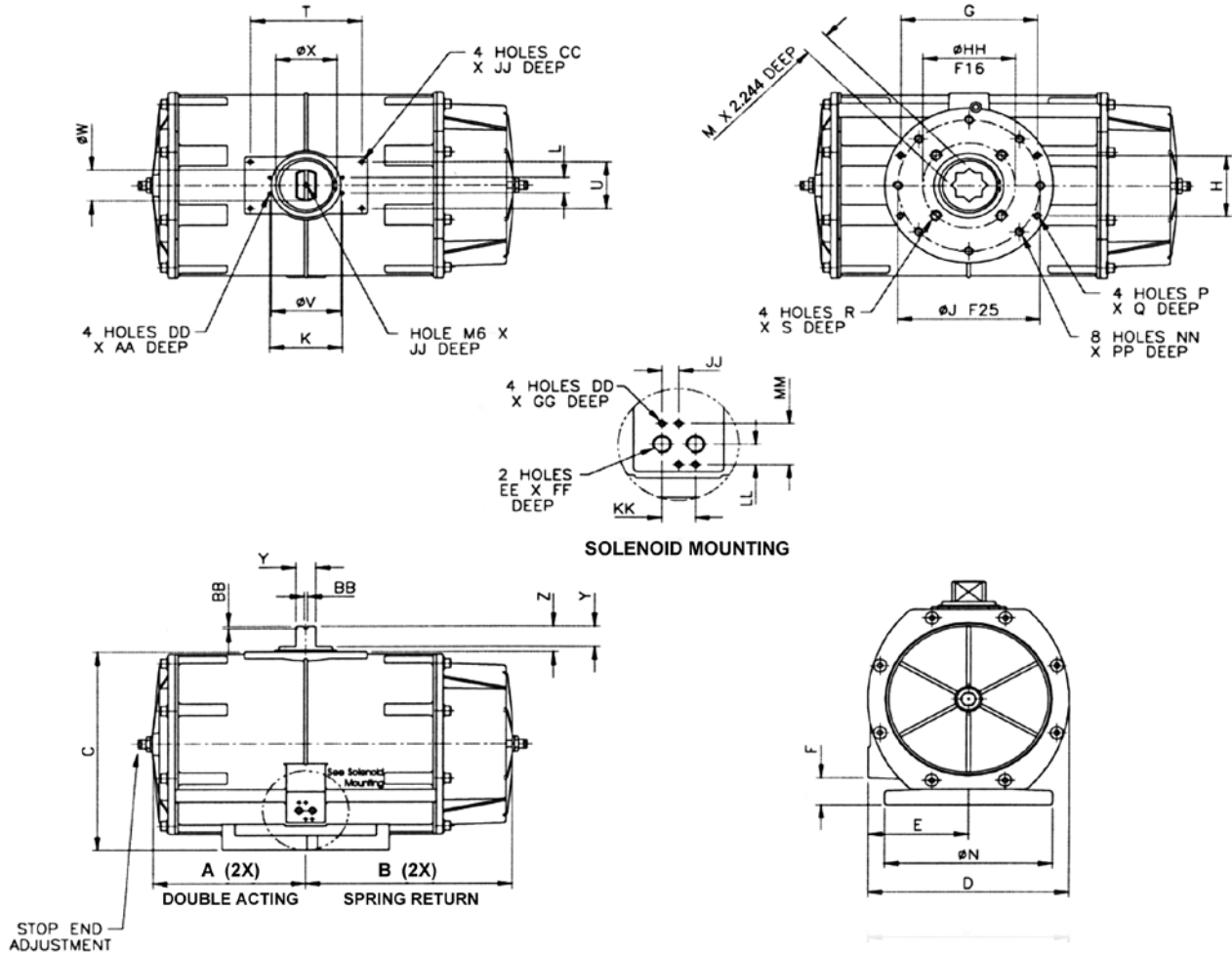
### Dimensions (Inches)

Size	A	B	C	D	E	F	G	H	ØJ	K	L	▣ P(UNC)	Q	R(UNC)	S	T	
250	9.8	13.3	11.81	11.02	5.51	2.2	9.61	4.61	6.5	5.12	1.18	1.81	1/2-13	0.86	3/4-11	1.25	7.87

Size	U	ØV	ØW	ØX	Y	Z	AA	BB	CC(UNC)	DD(UNF)	EE	FF	GG	JJ	KK	LL	MM
250	3.54	4.72	2.36	4.37	1.42	1.97	0.25	0.16	5/16-18	10-32	NPT 1/4	0.5	0.31	0.47	0.94	0.63	1.26

Visit our website for the most current information.

# NDA/NSR 400 Actuator Detail:



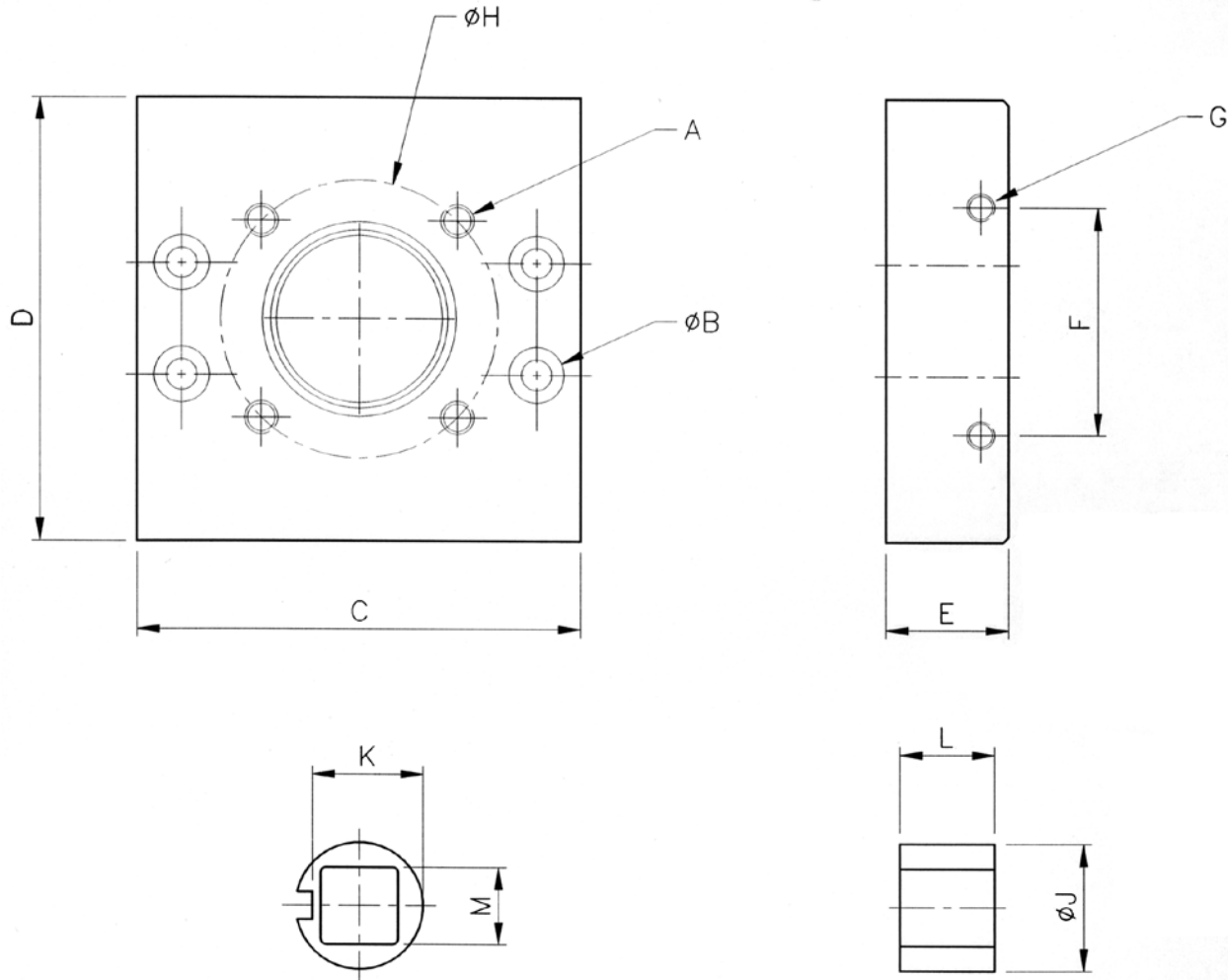
## Dimensions (Inches)

Size	A	B	C	D	E	F	G	H	ØJ	K	L	M	ØN	P(UNC)	Q	R(UNC)	S	T	U	ØV
400	11.8	14.6	15.16	14.2	7.1	2.1	9.61	4.61	10	5.12	1.18	2.165	11.81	1/2-13	0.86	3/4-11	1.38	7.87	3.54	4.72

Size	ØW	ØX	Y	Z	AA	BB	CC(UNC)	DD(UNF)	EE	FF	GG	ØHH	JJ	KK	LL	MM	NN(UNC)	PP	QQ
400	2.36	4.37	1.42	1.97	0.35	0.16	5/16-18	10-32	NPT 1/4	0.5	0.31	6.5	0.47	0.94	0.63	1.26	5/8-11	1	1.42

Visit our website for the most current information.

# NIBCO ISO Body Adapter Kit (Standard) Detail:

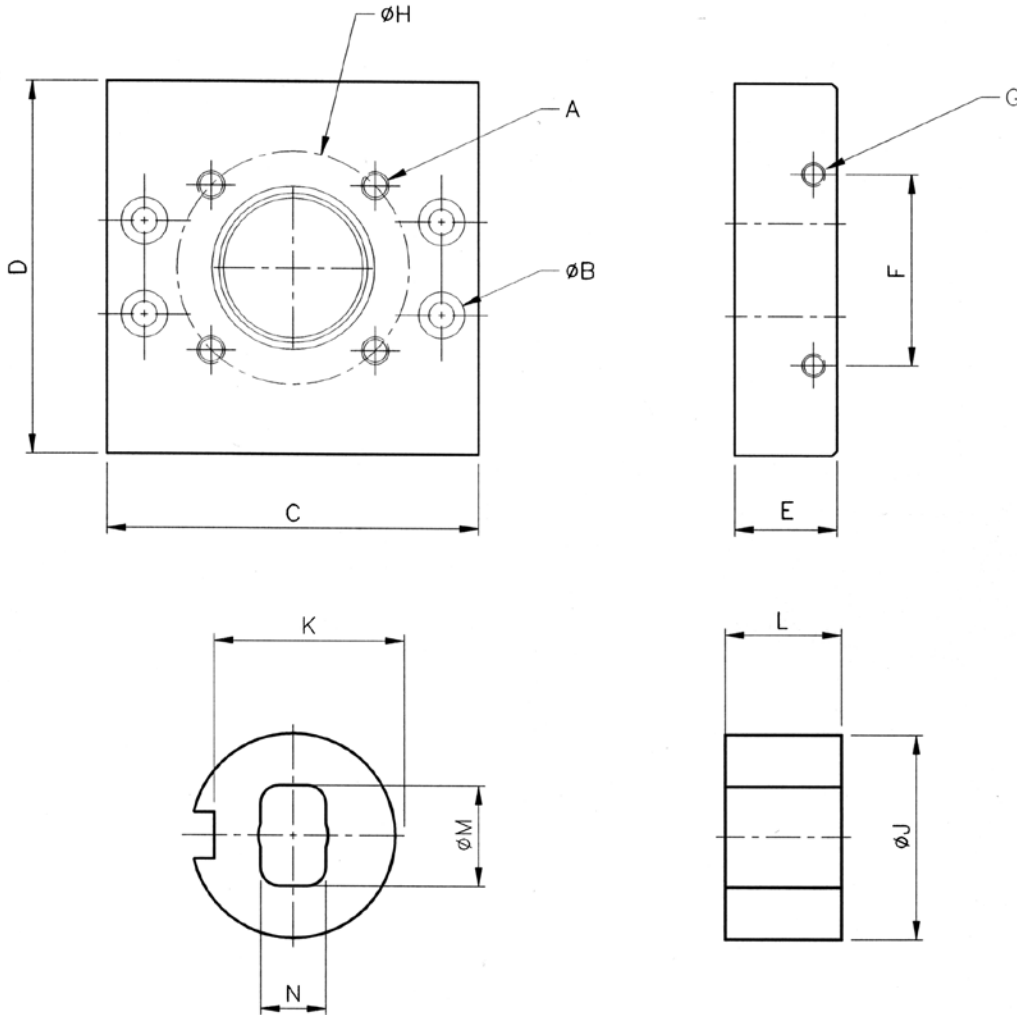


Actuator Model	Dimensions (Inches)											
	A(unc)	ØB	C	D	E	F	G	ØH	ØJ	K	L	M
8 F05	1/4-20	0.22	3.15	3.14	0.87	1.61	M5	1.97	0.90	0.80	0.67	0.55
8 F07	5/16-18	0.22	3.15	3.14	0.94	2.17	M6	2.76	1.30	1.16	0.67	0.67
12 F07	5/16-18	0.22	3.15	3.14	0.94	2.17	M6	2.76	1.30	1.16	0.67	0.67
20 F07	5/16-18	0.26	3.35	3.54	1.10	2.19	M8	2.76	1.30	1.16	0.79	0.67
35 F07	5/16-18	0.35	4.72	4.71	1.34	2.83	M10	2.76	1.30	1.16	0.79	0.67
35 F10	3/8-16	0.35	4.72	4.71	1.34	2.91	M10	4.02	1.73	1.54	0.98	0.87
55 F10	3/8-16	0.43	5.12	5.51	1.57	2.99	M10	4.02	1.73	1.54	0.98	0.87
55 F12	1/2-13	0.43	5.12	5.51	1.57	3.53	M10	4.92	2.17	2.17	0.98	1.06

**NOTE:** Primary mounting configuration for NIBCO quarter turn valves.  
NIBCO ISO drive coupling orientation is 45° offset from centerline of Actuator.

Visit our website for the most current information.

# NIBCO LD/WD Butterfly Body Adapter Kit Detail:

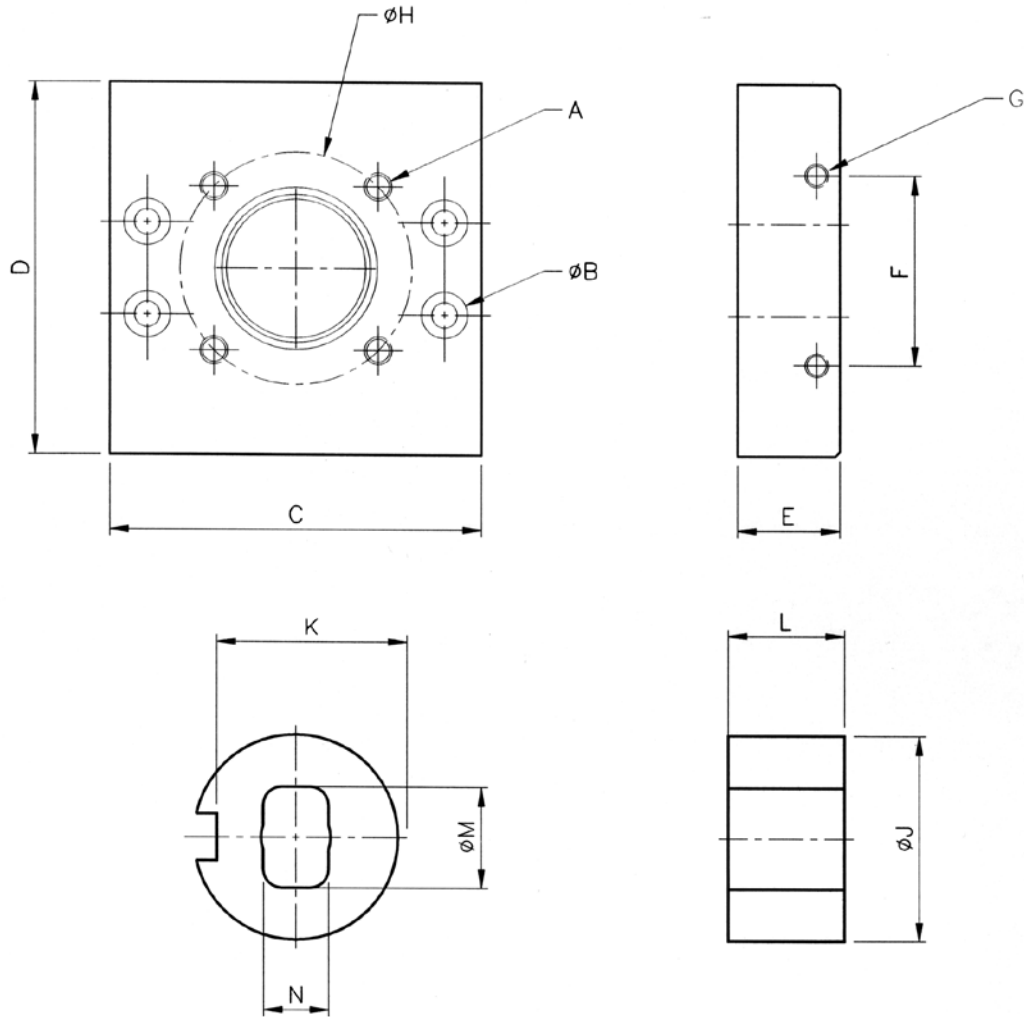


Actuator Size	Valve Model	Dimensions (Inches)												
		A(unc)	ØB	C	D	E	F	G	ØH	ØJ	K	L	M	N
8 F05	2"	3/8-16	0.22	3.15	3.14	0.87	1.61	M5	3.25	0.90	0.80	0.67	0.55	0.312
8 F05	2.5" & 3"	3/8-16	0.22	3.15	3.14	0.87	1.61	M5	3.25	0.90	0.80	0.34	0.34	0.376
8 F05	4"	3/8-16	0.22	3.15	3.14	0.87	1.61	M5	3.25	0.90	0.80	0.67	0.63	0.403
12 F07	2"	3/8-16	0.22	3.15	3.14	0.94	2.17	M6	3.25	1.30	1.16	0.67	0.55	0.312
12 F07	2.5" & 3"	3/8-16	0.22	3.15	3.14	0.94	2.17	M6	3.25	1.30	1.16	0.67	0.75	0.376
12 F07	4"	3/8-16	0.22	3.15	3.14	0.94	2.17	M6	3.25	1.30	1.16	0.67	0.63	0.403
20 F07	4"	3/8-16	0.26	3.35	3.54	1.10	2.19	M8	3.25	1.30	1.16	0.67	0.63	0.403
20 F07	5" & 6"	3/8-16	0.26	3.35	3.54	1.10	2.19	M8	3.25	1.30	1.16	0.67	0.67	0.496
35 F10	5" & 6"	3/8-16	0.35	4.72	4.71	1.35	2.83	M10	3.25/5.00	1.73	1.54	0.98	0.67	0.496
35 F10	8"	3/8-16	0.35	4.72	4.71	1.35	2.83	M10	3.25/5.00	1.73	1.54	0.98	0.79	0.560
35 F10	10"	3/8-16	0.35	4.72	4.71	1.35	2.83	M10	3.25/5.00	1.73	1.54	0.98	1.04	0.686
35 F10	12"	3/8-16	0.35	4.72	4.71	1.35	2.83	M10	3.25/5.00	1.73	1.54	0.98	1.07	0.748
55 F10	5" & 6"	3/8-16	0.43	5.12	5.51	1.57	2.99	M10	3.25/5.00	1.73	1.54	0.98	0.67	0.496
55 F10	8"	3/8-16	0.43	5.12	5.51	1.57	2.99	M10	3.25/5.00	1.73	1.54	0.98	0.79	0.560
55 F10	10"	3/8-16	0.43	5.12	5.51	1.57	2.99	M10	3.25/5.00	1.73	1.54	0.98	1.04	0.686
55 F10	12"	3/8-16	0.43	5.12	5.51	1.57	2.99	M10	3.25/5.00	1.73	1.54	0.98	1.07	0.748

**NOTE:** Available for field retrofit or factory installed. Use allows direct mount capability. NDA/NSR8 to 55 only. Consult factory for direct mount sizing information.

Visit our website for the most current information.

# NIBCO GD/FC & FD Butterfly Adapter Kit Detail:

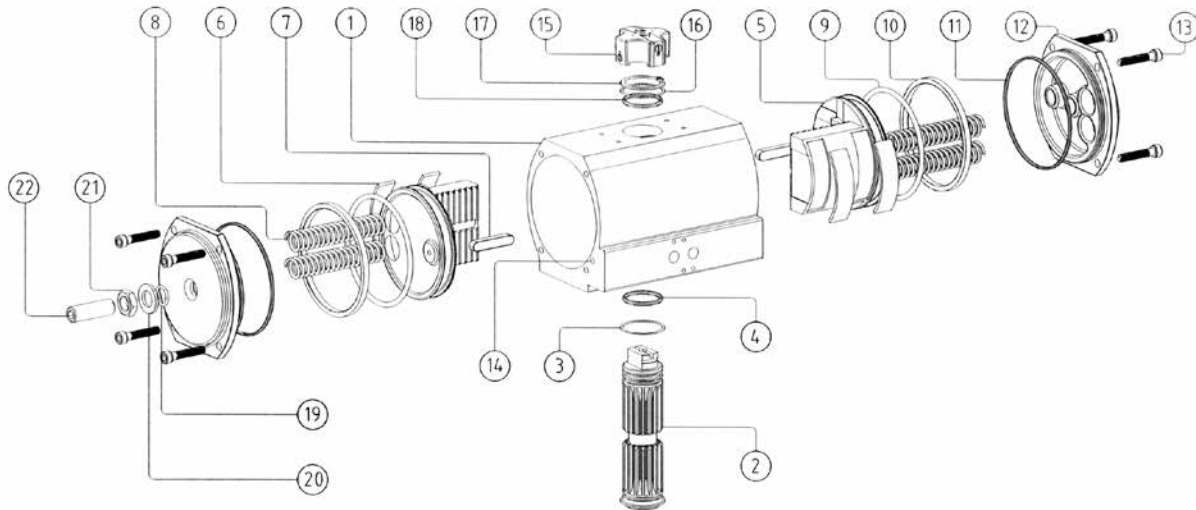


Actuator Size	Valve Model	Dimensions (Inches)												
		A(unc)	ØB	C	D	E	F	G	ØH	ØJ	K	L	M	N
8 F05	2" - 3"	3/8-16	0.22	3.15	3.14	0.87	1.61	M5	3.25	0.90	0.80	0.67	0.67	0.37
8 F05	4" & 5"	3/8-16	0.22	3.15	3.14	0.87	1.61	M5	3.25	0.90	0.80	0.67	0.67	0.50
12 F07	2" - 3"	3/8-16	0.22	3.15	3.14	0.94	2.17	M6	3.25	1.30	1.16	0.67	0.75	0.37
12 F07	4" & 5"	3/8-16	0.22	3.15	3.14	0.94	2.17	M6	3.25	1.30	1.16	0.67	0.67	0.50
20 F07	4" & 5"	3/8-16	0.26	3.35	3.54	1.10	2.19	M8	3.25	1.30	1.16	0.67	0.67	0.50
20 F07	6" & 8"	3/8-16	0.26	3.35	3.54	1.10	2.19	M8	3.25	1.30	1.16	0.67	0.79	0.56
35 F10	6" & 8"	3/8-16	0.35	4.72	4.71	1.35	2.83	M10	3.25/5.00	1.73	1.54	0.98	0.79	0.56
35 F10	10" & 12"	3/8-16	0.35	4.72	4.71	1.35	2.83	M10	3.25/5.00	1.73	1.54	0.98	1.07	0.75
55 F10	6" & 8"	3/8-16	0.43	5.12	5.51	1.57	2.99	M10	3.25/5.00	1.73	1.54	0.98	0.79	0.56
55 F10	10" & 12"	3/8-16	0.43	5.12	5.51	1.57	2.99	M10	3.25/5.00	1.73	1.54	0.98	1.07	0.75

**NOTE:** Available for field retrofit or factory installed. Use allows direct mount capability. NDA/NSR 8 to 55 only. Consult factory for direct mount sizing information.

Visit our website for the most current information.

# NDA/NSR 2 & 4, 70-150 Material List



## MATERIAL LIST

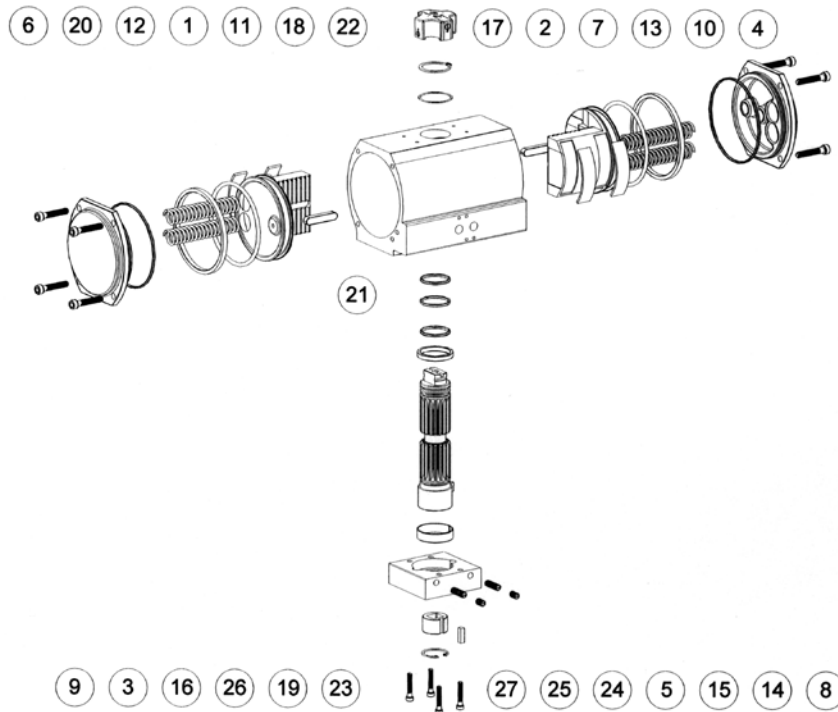
PART	QTY.	MATERIAL STD. UNIT	COMMENTS
1. Body	1	Aluminum Anodized	
2. Driveshaft	1	Steel	
*3. Washer	1	Polyethylene	
*4. "O" Ring	1	Buna Nitrile	Option FKM or Silicone
5. Piston	2	Aluminum Anodized	
*6. Wear Pads	4	POM Delrin	
*7. Guide Bar	2	Steel	
8. Spring	4	SiCr	
*9. "O" Ring	2	Buna Nitrile	Option FKM or Silicone
*10. Back-up Bearing	2	POM Delrin	
*11. "O" Ring	2	Buna Nitrile	Option FKM or Silicone
12. Endcap	2	Aluminum Anodized	
13. Endcap Bolt	8	Stainless Steel	
*14. Ball Seal	2	Composite	
15. Position Indicator	1	Polyethylene	
*16. Washer	1	Polyethylene	
*17. Circlip	2	Steel	
*18. "O" Ring	1	Polyethylene	
19. Stop Adjustment "O" Ring	2 (1)	Buna Nitrile	Option FKM or Silicone
20. Stop Adjustment Washer	2 (1)	Polyethylene	
21. Stop Adjustment Nut	2 (1)	High Tensile Steel	Dacrolit Coated
22. Stop Adjustment Screw	2 (1)	High Tensile Steel	Decrolit Coated

\* Recommended spare parts for repair kit

Quantities in brackets are for sizes 2 and 4 only.

Visit our website for the most current information.

# NDA/NSR 8 - 55 Material List



## MATERIAL LIST

PART	QTY.	MATERIAL STD. UNIT	COMMENTS
1. Cylinder	1	Aluminum Anodized	
2. Piston	2	Aluminum Anodized	
3. Driveshaft	1	Steel	
4. Endcap	2	Aluminum Anodized	
5. Body Adapter	1	Aluminum Anodized	
6. Endcap Bolt	8	Stainless Steel	
*7. Piston "O" Ring	2	Buna Nitrile	Option FKM or Silicone
*8. Driveshaft Upper "O" Ring	1	Buna Nitrile	Option FKM or Silicone
*9. Driveshaft Lower "O" Ring	1	Buna Nitrile	Option FKM or Silicone
*10. Endcap "O" Ring	2	Buna Nitrile	Option FKM or Silicone
*11. Washer	1	Polyethylene	
*12. Wear Pads	4	POM Delrin	POM Delrin
*13. Backup Bearing	2	POM Delrin	
*14. Driveshaft Upper Bearing	1	POM Delrin	
*15. Driveshaft Lower Bearing	1	POM Delrin	
*16. Body Adapter Bearing	1	Pom Delrin	
*17. Guide Bar	2	Steel	
*18. Circlip Upper	1	Steel	
*19. Circlip Lower	1	Steel	
20. Spring	4	SiCr	
*21. Ball Bearing	2	Composite	
22. TruVision Indicator	1	POM Delrin	TruVision optional on Std. Unit
23. Body Adapter Bolts	4	Stainless Steel	
24. Stop Adjustment Screws	2	High Tensile Steel	Dacrolit Coated
25. Lock Screws	2	Steel	Dacrolit Coated
26. Insert Sleeve	1	Stainless Steel	
27. Insert Sleeve Key	1	Keysteel	

\* Recommended spare parts for repair kit

Visit our website for the most current information.



## Pneumatic Actuation Accessories:

### Switch Box with Limit Switches & Indicator



**NTFC-110**  
**(T114336)**  
**NIBCO**

The NIBCO NTFC-110 switchbox is rated NEMA 4X with 2off V3 gold plated micro-switches conforming to UL & CSA standards. Also available with proximity switches. High visibility position indicator is integral to the unit. Switches are rated for 24VDC, 120 VAC and 220 VAC.



**2004BYC10**  
**(T111271)**  
**Westlock**

The Westlock 2004 switchbox is rated NEMA 4 & 4x, with 2 mechanical switches conforming to CSA standards. The 2007X NEMA 4, 4x, 7 & 9 is also available. All units are standard with high visibility position indicator.

**NOTE:** Moniteur FMYB 5120 (NEMA 4) and AMYB 5120 (NEMA 7) switch boxes also available, but not pictured.

### Pneumatic and Electro Pneumatic Positioners



**760P**  
**(T116978)**  
**Moore**

The Moore 760P and 760E are cam characterized pneumatic or electro-pneumatic valve controllers. They accept 3-15 psi or 4-2mA input signal and convert to pneumatic output to position a valve/actuator. Multiple options are available, consult factory.



**NTFC-T4**  
**(T114338)**  
**NIBCO**

The NIBCO NTFC-T4 positioner is an economical 3-15 psi controller suitable for DA or SR actuators. Featuring a split range cam as standard. The unit is fully compliant to NAMUR standards. Manufactured by PMV.

Visit our website for the most current information.

## Pneumatic Actuation Accessories:

### Solenoid Valves



**8401 Series  
(T114221) ASCO**

The ASCO 8401 Series is a two position, three-way or four-way solenoid piloted valve is designed for air actuated service. This series is available in multiple voltages. For use with NAMUR standard actuators.



**NEV 61  
(T114333) NIBCO**

The NIBCO NEV series solenoid valves are 110 VAC, NAMUR standard units. Available in three configurations; left pilot, right pilot and dual pilot. This is an economical unit that requires a separate speed control.

### Mounting Kit



**Mount/Drive Kits**

All NIBCO mounting kits contain a bracket, drive coupling and hardware for mounting actuator to valve. Made of corrosion resistant 300 series stainless steel. Brackets and couplings are precision machined to very high tolerance specifications.

### Seal Repair Kits



**Seal Repair Kits**

NIBCO seal replacement and repair kits contain all appropriate bearing surface materials. Standard Buna (Nitrile) "O" ring seals are rated from -40°F to 212°F. FKM O-ring seals for temperatures in excess of 212°F are also available. Consult factory.

Visit our website for the most current information.

## The NIBCO Pneumatic Solution:

NIBCO NDA and NSR Series Rack and Pinion Pneumatic Actuators are specifically designed for quarter-turn applications — ball, butterfly, dampers and plug valves. NIBCO Pneumatic Actuators are manufactured in a wide range of output torques to fit the characteristics of the valve application. These applications include; Commercial/Mechanical Systems (HVAC), Chemical Processing, Pulp and Paper, Petroleum Refining and Production, and Marine Service.



### Standard Features Include:

- Durable extruded anodized aluminum housing
- Unique 3 point load bearing design for smooth operation
- Twin guide bars on pistons assure optimum rack and pinion engagement
- One piece solid steel shaft
- Patented spring design
- Epoxy coated end caps
- ISO 5211 or NIBCO direct mount dimensions
- NAMUR standard accessory mounting dimensions
- UNC tapping

### Optional Features Include:

- Superior corrosion resistance
- Will not crack, peel or flake
- 300 series stainless steel bolting

### Accessories Include:

- Multiple Switch Box Options, NEMA 4, 4x, 7 and 9
- Multiple Solenoid Valve Options, AC and DC Voltages
- Featuring the Moore 760P/E Pneumatic or Electro Pneumatic Positioner
- High Temperature Seal Kits
- Dynatorque Manual Gear Overrides

Visit our website for the most current information.

globally connecting you at all levels



It's a new age of business, and a new way at NIBCO. From Elkhart, Indiana to Lodz, Poland, and points beyond, our company has integrated manufacturing, distribution, and networked communications to provide a seamless source of information and service, 24 hours a day, 7 days a week. But this integration hasn't happened overnight. It's been part of a long-term strategic process that has pushed us to reconsider every aspect of our business. The result? We're a vertically integrated manufacturer with the products and systems in place to deliver low cost and high quality. NIBCO products are manufactured under a Quality Management System conforming to the current revision of ISO-9001 International Standards. We know the flow control industry is only going to get more demanding, and we are more than ready. We will continue to lead. That's what NIBCO is all about.

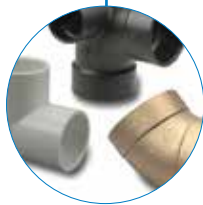


# FEATURING NIBCO® SYSTEMS

C-ACT-0416

NIBCO® PEX Piping Systems • NIBCO® Press System®

## FITTINGS



Wrot and cast copper pressure and drainage fittings • Cast copper alloy flanges  
• Wrot and cast press fittings • ABS and PVC DWV fittings • Schedule 40 PVC pressure fittings • CPVC CTS fittings • CPVC CTS-to-metal transition fittings  
• Schedule 80 PVC and CPVC systems • CPVC metric piping systems  
• CPVC BlazeMaster® fire protection fittings • Lead-Free\* fittings

BlazeMaster® is a registered trademark of The Lubrizol Corporation.  
\*Weighted average lead content ≤0.25%

## VALVES & ACTUATION

Pressure-rated bronze, iron and alloy-iron gate, globe and check valves • Pressure-rated bronze ball valves • Boiler specialty valves • Commercial and industrial butterfly valves • Circuit balancing valves • Carbon and stainless steel ball valves  
• ANSI flanged steel ball valves • Pneumatic and electric actuators and controls  
• Grooved ball and butterfly valves • High performance butterfly valves • UL/FM fire protection valves • MSS specification valves • Bronze specialty valves • Low pressure gate, globe, check and ball valves • Frostproof sillcocks • Quarter-turn supply stops • Quarter-turn low pressure valves • PVC ball valves • CPVC CTS ball valves • Bronze & Iron Y-Strainers • Lead-Free\* valves • Coil-Connect™ Kits

\*Weighted average lead content ≤0.25%



## CHEMTROL®



Thermoplastic pipe, valves and fittings in PVC, Corzan® CPVC, polypropylene and PVDF Kynar® • Pneumatic and electric actuation systems

Corzan® is a registered trademark of The Lubrizol Corporation. • Kynar® is a registered trademark of Arkema Inc.

## eNIBCO

EDI—Electronic Data Interchange • VMI—Vendor Managed Inventory  
• NIBCO.com • NIBCOpartner.com



**NIBCO**®  
AHEAD OF THE FLOW®

**NIBCO INC.**  
**WORLD HEADQUARTERS**  
WEB: [www.nibco.com](http://www.nibco.com)

1516 MIDDLEBURY STREET  
ELKHART, IN 46516-4740  
USA

DOMESTIC CUSTOMER SERVICE  
PHONE: 800.234.0227  
FAX: 800.234.0557

TECHNICAL SERVICE  
PHONE: 888.446.4226  
FAX: 888.336.4226

INTERNATIONAL OFFICE  
PHONE: +1/574.295.3327  
FAX: +1/574.295.3455