

Distributed by:



WESTLUND / EMCO

WATER SOLUTIONS



We Are Certified and Award Winning

SPECIALISTS SERVING SPECIALISTS



Westlund Water Solutions is the leading Canadian distributor of pipes, valves, fittings, and all related equipment found 'inside the fence' for wastewater treatment plants, reservoirs, and pumping stations.



Ontario Office: 905-624-4575
Alberta Office: 780-577-8808
WaterSolutions@WestlundPVF.com
www.everythinginsidethefence.com



Product Specifications

STRUT PRODUCTS



For the most up to date information visit our website:
www.taylorassociates.com

Distributed by:



WESTLUND / EMCO
WATER SOLUTIONS





FIG. TS Page 2
STRUT CHANNEL
and END CAPS



FIG. 900's Page 3
STRUT NUTS



Fig. 901 Page 3
ROD STIFFENER



FIG. 910's Page 3
STRUT SLIDE NUT

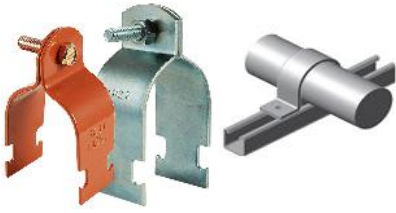


FIG. 910's Page 4
STRUT PIPE CLAMPS



FIG. 8500 Page 6
STRUT CUSHION CLAMP



Fig. 920 Page 7
STRUT CABLE CLAMP



Fig. TY300 Page 8
4 BEARING TROLLEY ASSY.



FLAT PLATE FITTINGS
Page 9 - 12



90° ANGLE FITTINGS
Page 13 - 18



ANGULAR FITTINGS
Page 19



POST BASES
Page 20 - 21



U FITTINGS
Page 22 - 23



WING FITTINGS
Page 24 - 26



Z FITTINGS
Page 27 - 29



STRUT BEAM CLAMPS
Page 30 - 32



MISCELLANEOUS FITTINGS
Page 33 - 34

STRUT CHANNEL

Figure

TS

SIZE RANGE: 1" and 1 5/8"

MATERIAL: Cold Rolled Steel

FINISH: Pre-Galvanized

SERVICE: Various metal framing and fastening applications.

ORDERING: Specify product #, profile, finish and length.

ALSO AVAILABLE IN:

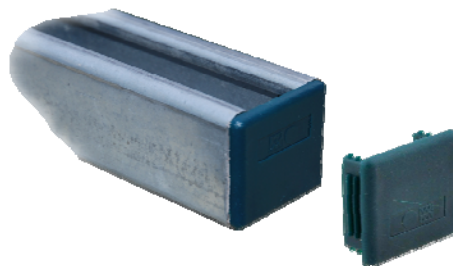
Other Sizes & Lengths, Stainless Steel and Aluminum



Profile #	SPECIFICATION DATA				LBS / FT	Standard Length	Bundle QTY
	Profile (H x W)	Configuration	Material	Finish			
TS2-PG	1" x 1 5/8"	SOLID	12Ga	Pre -Galv.	1.44	10 Ft	50
TS2HS-PG	1" x 1 5/8"	HALF SLOT	12Ga	Pre -Galv.	1.36	10 Ft	50
TS2-SS6	1" x 1 5/8"	SOLID	12Ga	Stainless 316	1.44	10 Ft	50
TS4-PG	1 5/8" x 1 5/8"	SOLID	12Ga	Pre -Galv.	1.90	10 Ft	50
TS4HS-PG	1 5/8" x 1 5/8"	HALF SLOT	12Ga	Pre -Galv.	1.82	10 Ft	50
TS4-SS4	1 5/8" x 1 5/8"	SOLID	12Ga	Stainless 304	1.90	10 Ft	50
TS4HS-SS4	1 5/8" x 1 5/8"	HALF SLOT	12Ga	Stainless 304	1.82	10 Ft	50
TS4-SS6	1 5/8" x 1 5/8"	SOLID	12Ga	Stainless 316	1.90	10 Ft	50
TS4HS-SS6	1 5/8" x 1 5/8"	HALF SLOT	12Ga	Stainless 316	1.82	10 Ft	50

SPECIFICATIONS OF OTHER SIZES AND PROFILES ALSO AVAILABLE
(HALF SLOT CONFIGURATION - HOLES at 2" CENTERS, 1 1/8" LONG, 9/16" WIDE)

END CAPS	
Size	For Profile
EC100	1" x 1 5/8"
EC158	1 5/8" x 1 5/8"



Strut Nut - NO SPRING

900NS



Standard Finish: ELECTRO-PLATED ZINC
 *All STAINLESS STEEL = Type 316L (1/4", 3/8" & 1/2" ONLY)

PART #	THREAD SIZE	MAT. THICKNESS	WT. PER 100
900NS 1/4	1/4-20	1/4"	7 #
900NS 3/8	3/8-16	3/8"	9 #
900NS 1/2	1/2-13	3/8"	9 #
900NS 5/8	5/8-11	3/8"	17 #
900NS 3/4	3/4-10	3/8"	14 #

Strut Nut - SHORT SPRING

900SH



Standard Finish: ELECTRO-PLATED ZINC
 *All STAINLESS STEEL = Type 316L

PART #	THREAD SIZE	MAT. THICKNESS	WT. PER 100
900SH 1/4	1/4-20	1/4"	7 #
900SH 3/8	3/8-16	3/8"	9 #
900SH 1/2	1/2-13	3/8"	9 #

Strut Nut - REGULAR SPRING

900RG



Standard Finish: ELECTRO-PLATED ZINC
 *All STAINLESS STEEL = Type 316L (1/4", 3/8" & 1/2" ONLY)

PART #	THREAD SIZE	MAT. THICKNESS	WT. PER 100
900RG 1/4	1/4-20	1/4"	7 #
900RG 5/16	5/16-18	1/4"	7 #
900RG 3/8	3/8-16	3/8"	9 #
900RG 1/2	1/2-13	3/8"	9 #
900RG 5/8	5/8-11	1/2"	18 #
900RG 3/4	3/4-10	1/2"	16 #
900RG 7/8	7/8-9	1/2"	14 #

ROD STIFFENER

901



For 3/8" through 5/8" ATR
 Strut ordered separately
 Standard Finish: Zinc Plated

Strut Slide Nut

902W



Standard Finish: ELECTRO-PLATED ZINC

	PART #	THREAD SIZE	BOX QTY.	WT. PER 100
Imperial	902W 1/4	1/4-20	20	13 #
	902W 3/8	3/8-16	20	14 #
	902W 1/2	1/2-13	20	14 #
Metric	902W M8	M8-1.25	20	13 #
	902W M10	M10-1.5	20	14 #
	902W M12	M12-1.75	20	14 #

STANDARD FINISHES: Zinc Plated
 ALSO AVAILABLE IN: STAINLESS STEEL

Zinc Strut Pipe Clamp - RIGID

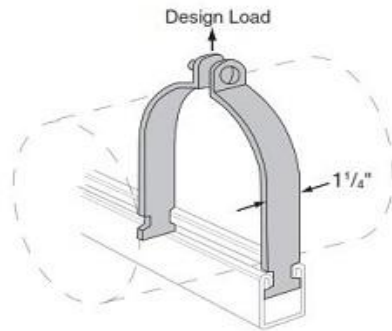
910R



*Stainless Steel 910R 2 - 910R 8 = 14 GA.

PART No.	PIPE SIZE	O.D.	*GAUGE	Design Load	Wt. Per 100	Std. Pkg.
910R 3/8	3/8	0.675	16 GA	400 #	9 #	100
910R 1/2	1/2	0.840	16 GA	400 #	14 #	100
910R 3/4	3/4	1.050	14 GA	600 #	17 #	100
910R 1	1	1.315	14 GA	600 #	18 #	100
910R 1 1/4	1 1/4	1.660	14 GA	600 #	22 #	100
910R 1 1/2	1 1/2	1.900	14 GA	600 #	23 #	100
910R 2	2	2.375	14 GA	600 #	27 #	50
910R 2 1/2	2 1/2	2.875	12 GA	800 #	40 #	25
910R 3	3	3.500	12 GA	800 #	50 #	25
910R 3 1/2	3 1/2	4.000	12 GA	800 #	52 #	25
910R 4	4	4.500	12 GA	800 #	54 #	25
910R 5	5	5.563	12 GA	800 #	72 #	20
910R 6	6	6.625	12 GA	800 #	102 #	25
910R 8	8	8.625	12 GA	800 #	104 #	25

ALSO AVAILABLE IN: Stainless Steel (316 SS)



Zinc Strut Pipe Clamp - EMT

910E

PART No.	PIPE SIZE	O.D.	GAUGE	Design Load	Wt. Per 100	Std. Pkg.
910E 3/8	3/8	0.577	16 GA	400 #	7 #	100
910E 1/2	1/2	0.706	16 GA	400 #	12 #	100
910E 3/4	3/4	0.922	16 GA	400 #	14 #	100
910E 1	1	1.163	14 GA	600 #	16 #	100
910E 1 1/4	1 1/4	1.510	14 GA	600 #	20 #	100
910E 1 1/2	1 1/2	1.740	14 GA	600 #	21 #	100
910E 2	2	2.197	14 GA	600 #	23 #	50

ALSO AVAILABLE IN: Stainless Steel (316 SS)

DESIGN LOAD INCLUDES A SAFETY FACTOR OF 5.0
(safety factor = ratio of ultimate load to the design load)
Zinc plated hex head screw and nut included.

Copper-Gard Strut Pipe Clamp - COPPER TUBING

910C



Copper plated hex head screw and nut included.

PART No.	PIPE SIZE	O.D.	GAUGE	Design Load	Wt. Per 100	Std. Pkg.
910C 3/8	3/8	0.500	16 GA	400 #	9 #	100
910C 1/2	1/2	0.625	16 GA	400 #	14 #	100
910C 3/4	3/4	0.875	16 GA	400 #	16 #	100
910C 1	1	1.125	14 GA	600 #	18 #	100
910C 1 1/4	1 1/4	1.375	14 GA	600 #	22 #	100
910C 1 1/2	1 1/2	1.625	14 GA	600 #	23 #	100
910C 2	2	2.125	14 GA	600 #	25 #	100
910C 2 1/2	2 1/2	2.625	12 GA	800 #	40 #	50
910C 3	3	3.125	12 GA	800 #	50 #	50
910C 3 1/2	3 1/2	3.625	12 GA	800 #	52 #	25
910C 4	4	4.125	12 GA	800 #	54 #	25
910C 5	5	5.125	12 GA	800 #	72 #	25
910C 6	6	6.125	12 GA	800 #	102 #	25

DESIGN LOAD INCLUDES A SAFETY FACTOR OF 5.0
(safety factor = ratio of ultimate load to the design load)

ALSO AVAILABLE IN: STAINLESS STEEL and ALUMINUM

Strut Cushion Clamp
8500

SIZES: 1/4" OD through 4 1/8" OD

MATERIAL: Electro-galvanized steel with thermoplastic insulating liner.

ALSO AVAILABLE IN: Stainless Steel (304 SS) and Stainless Steel (316 SS)

SERVICE: Prevents shock, vibration, corrosion, and metal contact in strut fastening applications.



PART No.	Copper Tube	IPS	Weight Each (LBS)	Pkg. Qty.
8500 - 1/4OD			0.11	25
8500 - 3/8OD	1/4"		0.11	25
8500 - 1/2OD	3/8"		0.11	25
8500 - 5/8OD	1/2"		0.12	25
8500 - 3/4OD	5/8"		0.13	25
8500 - 7/8OD	3/4"	1/2"	0.20	25
8500 - 1OD			0.21	25
8500 - 1 1/8OD	1"	3/4"	0.27	25
8500 - 1 1/4OD			0.29	10
8500 - 1 3/8OD	1 1/4"	1"	0.31	10
8500 - 1 1/2OD			0.35	10
8500 - 1 5/8OD	1 1/2"	1 1/4"	0.40	10
8500 - 1 7/8OD		1 1/2"	0.42	10
8500 - 2OD			0.46	10
8500 - 2 1/8OD	2"		0.49	10
8500 - 2 3/8OD		2"	0.60	10
8500 - 2 5/8OD	2 1/2"		0.62	10
8500 - 3 1/8OD	3"		0.65	10
8500 - 4 1/8OD	4"		0.90	10

#46 HOLD DOWN CLAMP

Finish: Bare Metal

alt: Zinc Plated, Hot Dipped Galvanized

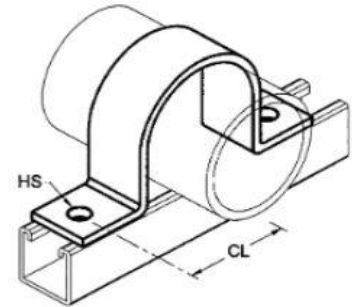
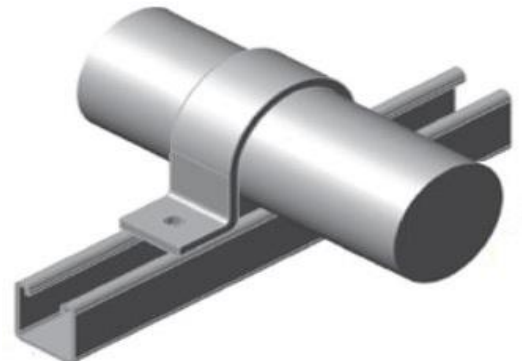
Material: Carbon Steel

alt: Stainless Steel 304 and 316

Approvals: Complies with MSS SP-58
and SP-69 (Type 26).

Recommended: Designed to steady a horizontal run
of pipe against a perpendicular
section of strut channel or any
other flat surface

Notes:



Iron Pipe Size	SPECIFICATION DATA			Weight Each (Lbs)
	HS (Hole Size)	CL	MATERIAL	
1/2	5/16	15/16	1/8 x 1 5/8	0.23
3/4	5/16	1	1/8 x 1 5/8	0.26
1	5/16	1 1/8	1/8 x 1 5/8	0.31
1 1/4	5/16	1 5/16	1/8 x 1 5/8	0.35
1 1/2	5/16	1 7/16	1/8 x 1 5/8	0.39
2	7/16	2 1/8	1/4 x 1 5/8	0.94
2 1/2	7/16	2 3/8	1/4 x 1 5/8	1.14
3	7/16	2 11/16	1/4 x 1 5/8	1.33
3 1/2	7/16	2 15/16	1/4 x 1 5/8	1.52
4	9/16	3 3/16	1/4 x 1 5/8	1.76
5	9/16	3 3/4	1/4 x 1 5/8	1.98
6	9/16	4 1/4	1/4 x 1 5/8	2.25
8	9/16	5 5/16	1/4 x 1 3/4	3.10
10	9/16	6 5/16	1/4 x 1 3/4	3.70
12	9/16	7 5/16	1/4 x 1 3/4	4.40
14	15/16	8 7/8	3/8 x 1 3/4	7.80
16	15/16	9 7/8	3/8 x 1 3/4	8.70
18	15/16	11 3/4	1/2 x 1 3/4	13.20
20	15/16	12 3/4	1/2 x 1 3/4	14.50
24	15/16	14 3/4	1/2 x 1 3/4	17

QWI 4.3.1 Issue Date Mar/17

Note: If details and dimensions are critical to your application please insure you are referencing the most recent version of this specification sheet from our website.

Strut 1 Piece Adjustable Cable Clamp
920


PART No.	O.D. RANGE	GAUGE	Wt. Per 100	Std. Pkg.
920-055	0.050 - 0.550	16 GA.	8	100
920-081	0.250 - 0.840	16 GA.	9	100
920-110	0.810 - 1.100	16 GA.	12	100
920-135	0.850 - 1.350	14 GA.	14	100
920-175	1.250 - 1.750	14 GA.	21	100
920-205	1.550 - 2.050	12 GA.	30	50
920-250	2.000 - 2.500	12 GA.	35	50
920-300	2.500 - 3.000	12 GA.	39	50
920-325	2.750 - 3.250	12 GA.	41	50
920-375	3.250 - 3.750	12 GA.	47	25
920-425	3.750 - 4.250	12 GA.	54	25
920-475	4.250 - 4.750	12 GA.	58	25

*Stainless Steel 920-205 to 920-475 = 14 GA.

STANDARD FINISHES: Zinc Plated

ALSO AVAILABLE IN: STAINLESS STEEL and ALUMINUM

TWO BEARING TROLLEY ASSEMBLY

MATERIAL: Carbon Steel Plate
Stainless Steel Ball Bearings- Sealed
FINISH: Electro-Plated Zinc

SERVICE: Designed to roll inside strut channel.
Not for continuous cycling applications.

ORDERING: Figure number, name and finish.

PRODUCT #	DESIGN LOAD		RPM	PLATE MATERIAL	BOX QTY.
	LBS	kN			
TY100	150	(.67)	@600	1/4" x 1 1/4"	50
	225	(1.00)	@300		
	437	(1.94)	@100		

Figure

TY100



Safety Factor of 2.5

Wt/C 48Lbs

FOUR BEARING TROLLEY ASSEMBLY

MATERIAL: Carbon Steel Plate
Stainless Steel Ball Bearings- Sealed
FINISH: Electro-Plated Zinc

SERVICE: Designed to roll inside strut channel.
Not for continuous cycling applications.

ORDERING: Figure number, name and finish.

PRODUCT #	DESIGN LOAD		RPM	PLATE MATERIAL	BOX QTY.
	LBS	kN			
TY300	300	(1.33)	@600	1/4" x 3 1/2"	25
	450	(2.00)	@300		
	600	(2.67)	@100		

Figure

TY300



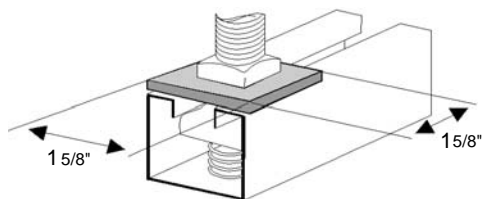
Safety Factor of 2.5

Wt/C 110Lbs

Square Washer

FP100

Std Stocking Item



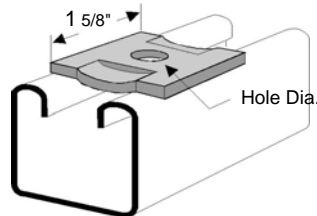
PART No.	ROD SIZE	Hole Dia.	Wt. Per 100
FP100-1/4	1/4"	5/16"	19#
FP100-5/16	5/16"	3/8"	18#
FP100-3/8	3/8"	7/16"	18#
FP100-1/2	1/2"	9/16"	17#
FP100-5/8	5/8"	11/16"	16#
FP100-3/4	3/4"	13/16"	15#

Std. Pkg.
100 Pcs.

No-Turn Washer

FP101

Non-Stock Item
Priced on Application



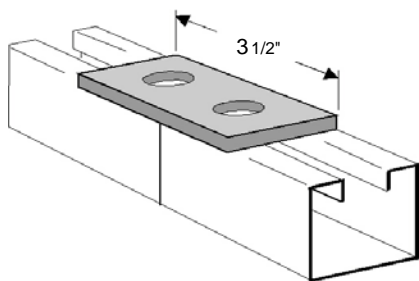
PART No.	ROD SIZE	Hole Dia.	Wt. Per 100
FP101-1/4	1/4"	5/16"	19#
FP101-5/16	5/16"	3/8"	18#
FP101-3/8	3/8"	7/16"	18#
FP101-1/2	1/2"	9/16"	17#
FP101-5/8	5/8"	11/16"	16#
FP101-3/4	3/4"	13/16"	15#

Std. Pkg.
100 Pcs.

Two-Hole Splice Plate

FP200

Std Stocking Item

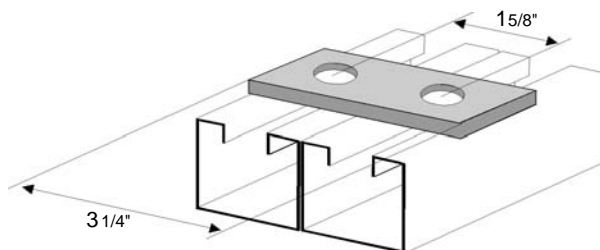


Wt./C 37 Lbs.
Std. Pkg. 50 Pcs.

Two-Hole Splice Plate

FP201

Non-Stock Item
Priced on Application

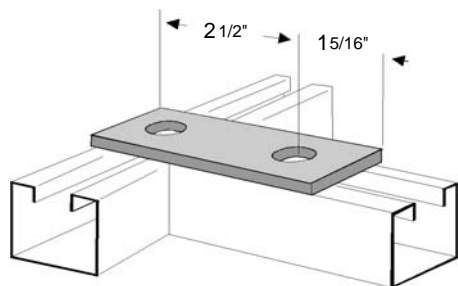


Wt./C 34 Lbs.
Std. Pkg. 50 Pcs.

Two-Hole Splice Plate

FP202

Non-Stock Item
Priced on Application

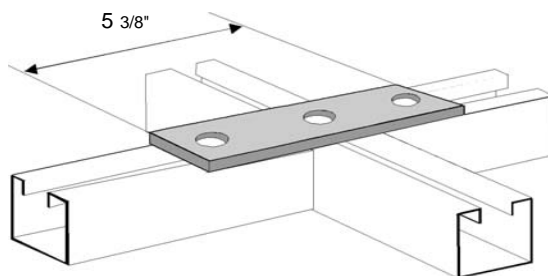


Wt./C 50 Lbs.
Std. Pkg. 25 Pcs.

Three-Hole Splice Plate

FP300

Std Stocking Item

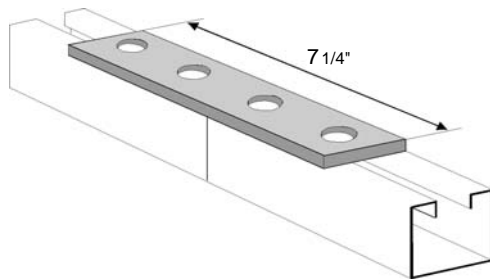


Wt./C 55 Lbs.
Std. Pkg. 25 Pcs.

FITTING SPECIFICATIONS (unless noted): Hole Size-9/16" Diameter; Hole Spacing-13/16" from end and 1 7/8" on center. Width-1 5/8"; Thickness 1/4"

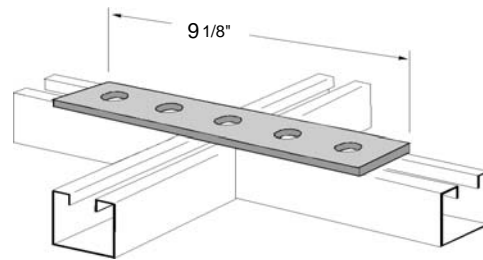
FINISHES AVAILABLE: Zinc Plated, Hot-Dipped Galvanized & Stainless Steel

Four Hole Splice Plate **FP400**



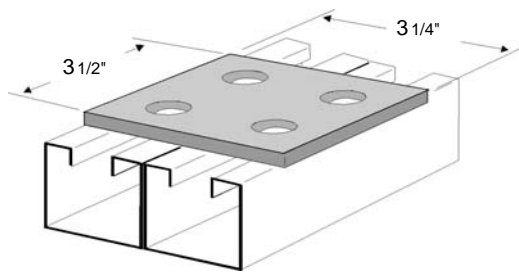
Wt./C 76 Lbs.
Std. Pkg. 25 Pcs.

Five Hole Splice Plate **FP401**



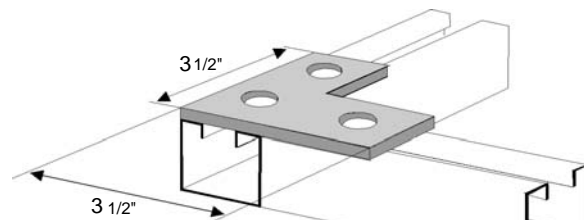
Wt./C 96 Lbs.
Std. Pkg. 20 Pcs.

Four Hole Splice Plate **FP402**



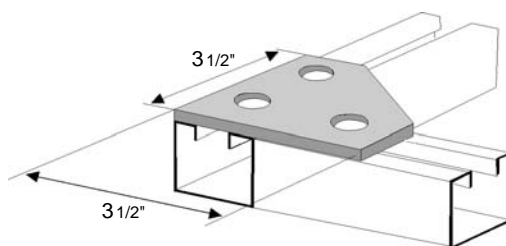
Wt./C 73 Lbs.
Std. Pkg. 25 Pcs.

Three Hole Corner Plate **FP500**



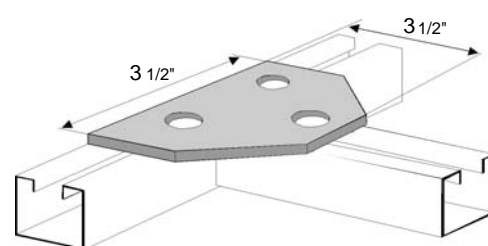
Wt./C 56 Lbs.
Std. Pkg. 25 Pcs.

Three Hole Corner Gusset **FP501**



Wt./C 70 Lbs.
Std. Pkg. 25 Pcs.

Three Hole Tee Gusset **FP502**

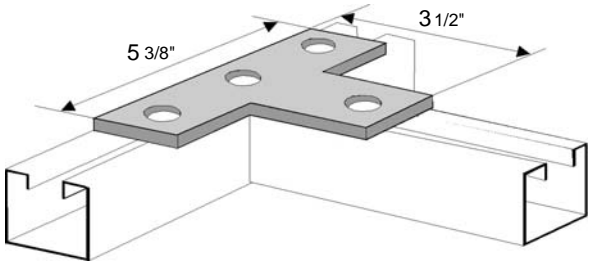
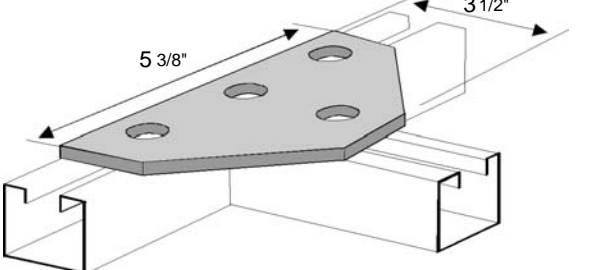
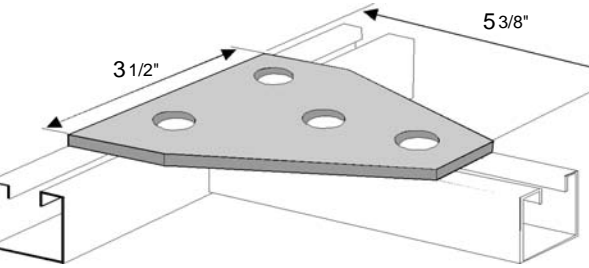
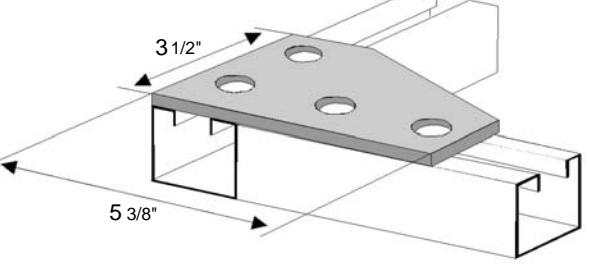
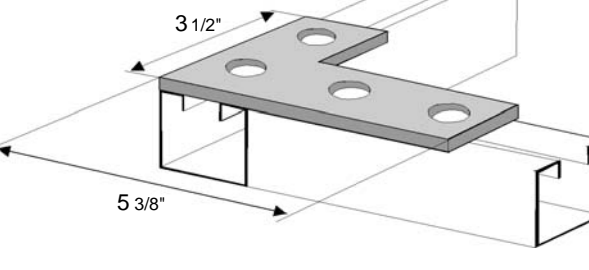
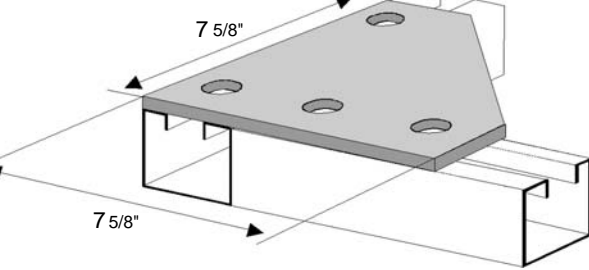


Wt./C 70 Lbs.
Std. Pkg. 25 Pcs.

FITTING SPECIFICATIONS (unless noted): Hole Size-9/16" Diameter; Hole Spacing-13/16" from end and 1 7/8" on center.
Width-1 5/8"; Thickness 1/4"

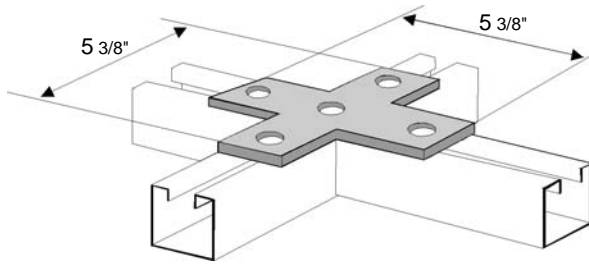
STANDARD FINISHES: Zinc Plated

ALSO AVAILABLE IN: HDG and STAINLESS STEEL

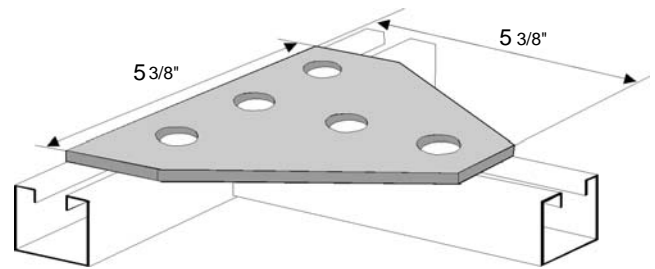
<p>Four-Hole Tee Plate FP600 Std Stocking Item</p>  <p>Wt./C 75 Lbs. Std. Pkg. 20 Pcs.</p>	<p>Four-Hole Tee Gusset FP601 Non-Stock Item Priced on Application</p>  <p>Wt./C 100 Lbs. Std. Pkg. 25 Pcs.</p>
<p>Four-Hole Tee Gusset FP602 Std Stocking Item</p>  <p>Wt./C 100 Lbs. Std. Pkg. 20 Pcs.</p>	<p>Four-Hole Corner Gusset FP603 Non-Stock Item Priced on Application</p>  <p>Wt./C 102 Lbs. Std. Pkg. 25 Pcs.</p>
<p>Four-Hole Corner Plate FP604 Std Stocking Item</p>  <p>Wt./C 75 Lbs. Std. Pkg. 25 Pcs.</p>	<p>Four-Hole Corner Gusset FP605 Non-Stock Item Priced on Application</p>  <p>Wt./C 273 Lbs. Std. Pkg. 10 Pcs.</p>

FITTING SPECIFICATIONS (unless noted): Hole Size-9/16" Diameter; Hole Spacing-13/16" from end and 1 7/8" on center.
Width-1 5/8"; Thickness 1/4"

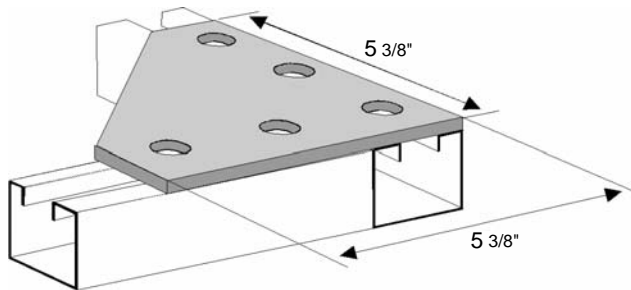
FINISHES AVAILABLE: Zinc Plated, Hot-Dipped Galvanized & Stainless Steel

Five Hole Cross Plate
FP700


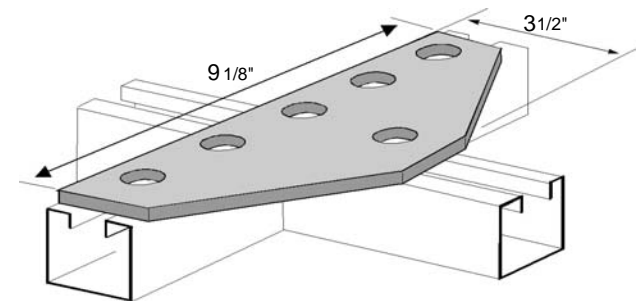
Wt./C 100 Lbs.
Std. Pkg. 10 Pcs.

Five Hole Tee Gusset
FP701


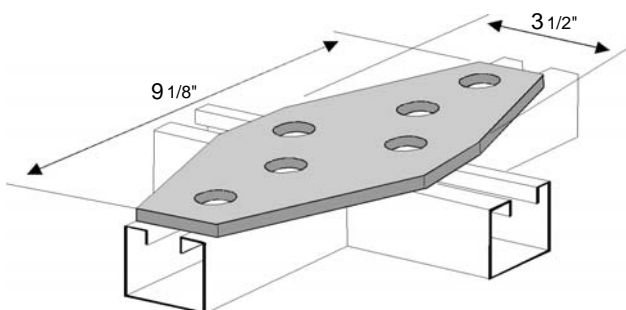
Wt./C 143 Lbs.
Std. Pkg. 20 Pcs.

Five Hole Corner Gusset
FP702


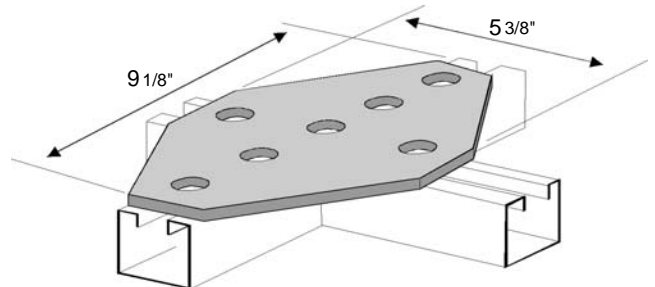
Wt./C 145 Lbs.
Std. Pkg. 20 Pcs.

Six Hole Tee Gusset
FP800


Wt./C 149 Lbs.
Std. Pkg. 20 Pcs.

Six Hole Cross Gusset
FP801


Wt./C 166 Lbs.
Std. Pkg. 20 Pcs.

Seven Hole Cross Gusset
FP900


Wt./C 232 Lbs.
Std. Pkg. 15 Pcs.

FITTING SPECIFICATIONS (unless noted): Hole Size-9/16" Diameter; Hole Spacing-13/16" from end and 1 7/8" on center.
Width-1 5/8"; Thickness 1/4"

STANDARD FINISHES: Zinc Plated

ALSO AVAILABLE IN: HDG and STAINLESS STEEL

One-Hole Corner Angle **AF100**
 Non-Stock Item
 Priced on Application

Std. Pkg. 25 Pcs.

PART No.	Dim. A	Wt. Per 100
AF100-1	3 7/8	60#
AF100-2	5 7/8	85#
AF100-3	7 7/8	107#
AF100-4	9 7/8	129#

Two-Hole Corner Angle **AF101**
 Non-Stock Item
 Priced on Application

Std. Pkg. 50 Pcs.

PART No.	Dim. A	Wt. Per 100
AF101-1	3	48#
AF101-2	3 1/2	53#
AF101-3	4	60#

Two-Hole Corner Angle **AF200**
 Std Stocking Item

Wt./C 37 Lbs.
 Std. Pkg. 50 Pcs.

Two-Hole Corner Angle **AF201**
 Std Stocking Item

Wt./C 37 Lbs.
 Std. Pkg. 50 Pcs.

Three-Hole Corner Angle **AF300**
 Std Stocking Item

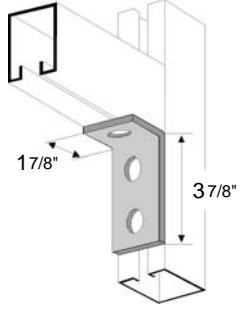
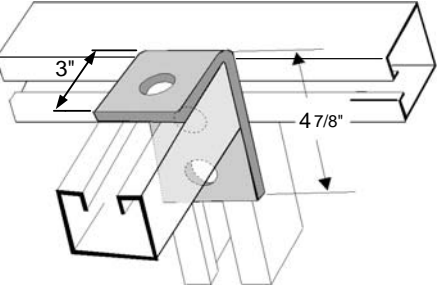
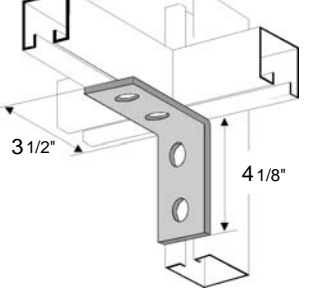
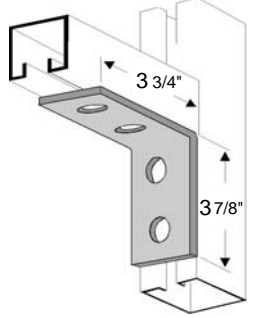
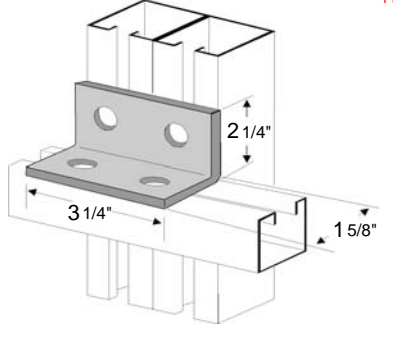
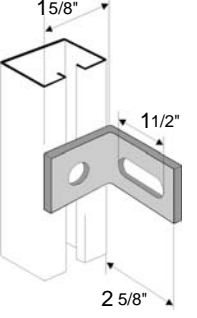
Wt./C 56 Lbs.
 Std. Pkg. 25 Pcs.

Three-Hole Corner Angle **AF301**
 Std Stocking Item

Wt./C 56 Lbs.
 Std. Pkg. 25 Pcs.

FITTING SPECIFICATIONS (unless noted) : Hole Size-9/16" Diameter; Hole Spacing-13/16" from end and 1 7/8" on center.
 Width-1 5/8"; Thickness 1/4"

FINISHES AVAILABLE: Zinc Plated, Hot-Dipped Galvanized & Stainless Steel

<p>Three-Hole Corner Angle AF302 Std Stocking Item</p>  <p>17/8" 37/8"</p> <p>Wt./C 56 Lbs. Std. Pkg. 25 Pcs.</p>	<p>Three-Hole Corner Angle AF303 Non-Stock Item Priced on Application</p>  <p>3" 47/8"</p> <p>Wt./C 78 Lbs. Std. Pkg. 25 Pcs.</p>
<p>Four-Hole Corner Angle AF400 Std Stocking Item</p>  <p>3 1/2" 4 1/8"</p> <p>Wt./C 78 Lbs. Std. Pkg. 20 Pcs.</p>	<p>Four-Hole Corner Angle AF401 Std Stocking Item</p>  <p>3 3/4" 37/8"</p> <p>Wt./C 76 Lbs. Std. Pkg. 20 Pcs.</p>
<p>Four-Hole Corner Angle AF402 Non-Stock Item Priced on Application</p>  <p>3 1/4" 2 1/4" 1 5/8"</p> <p>Wt./C 73 Lbs. Std. Pkg. 20 Pcs.</p>	<p>Two-Hole Adjustable Corner Angle AF210 Non-Stock Item Priced on Application</p>  <p>1 5/8" 1 1/2" 2 5/8"</p> <p>Wt./C 38 Lbs. Std. Pkg. 25 Pcs.</p>

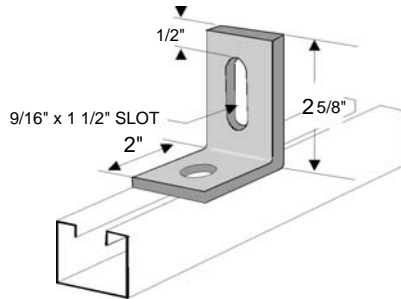
FITTING SPECIFICATIONS (unless noted): Hole Size-9/16" Diameter; Hole Spacing-13/16" from end and 1 7/8" on center.
Width-1 5/8"; Thickness 1/4"

FINISHES AVAILABLE: Zinc Plated, Hot-Dipped Galvanized & Stainless Steel

Two-Hole Adjustable Corner Angle

AF211

Non-Stock Item
Priced on Application

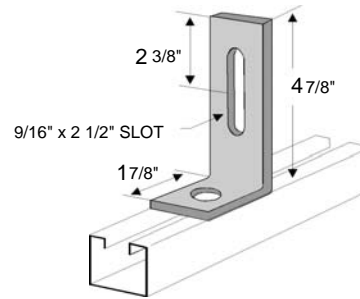


Wt./C 41 Lbs.
Std. Pkg. 25 Pcs.

Two-Hole Adjustable Corner Angle

AF212

Non-Stock Item
Priced on Application

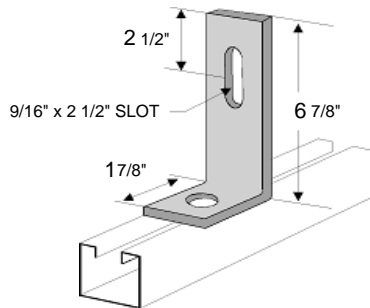


Wt./C 58 Lbs.
Std. Pkg. 25 Pcs.

Two-Hole Adjustable Corner Angle

AF213

Non-Stock Item
Priced on Application

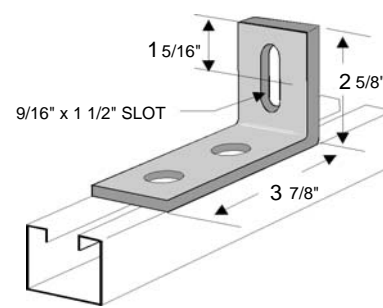


Wt./C 58 Lbs.
Std. Pkg. 25 Pcs.

Three-Hole Adjustable Corner Angle

AF214

Non-Stock Item
Priced on Application

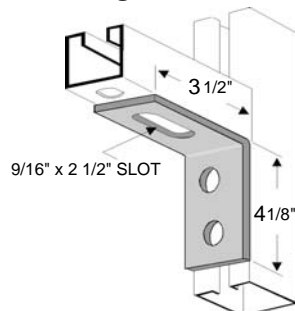


Wt./C 61 Lbs.
Std. Pkg. 25 Pcs.

Three-Hole Adjustable Corner Angle

AF215

Non-Stock Item
Priced on Application

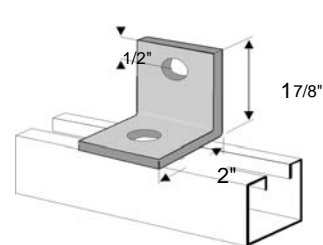


Wt./C 68 Lbs.
Std. Pkg. 20 Pcs.

Two-Hole Bus Duct Angle

AF219

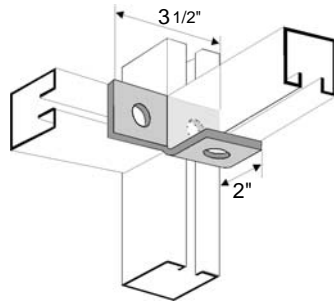
Non-Stock Item
Priced on Application

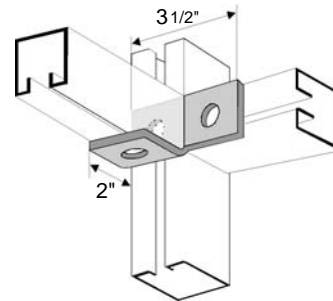


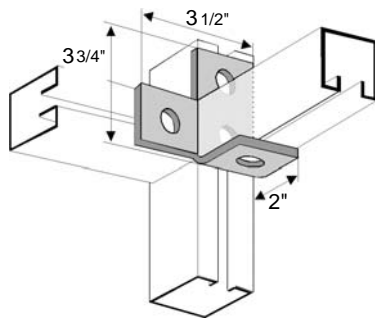
Wt./C 37 Lbs.
Std. Pkg. 25 Pcs.

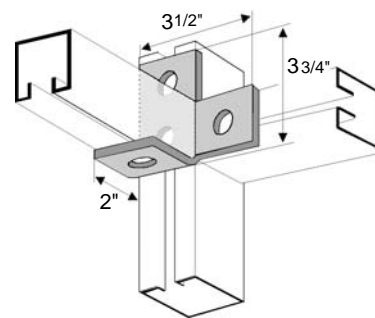
FITTING SPECIFICATIONS (unless noted): Hole Size-9/16" Diameter; Hole Spacing-13/16" from end and 1 7/8" on center.
Width-1 5/8"; Thickness 1/4"

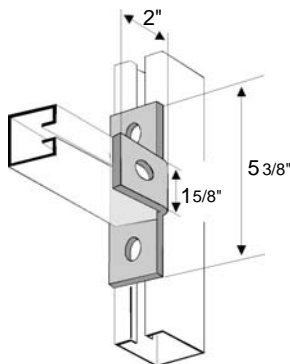
FINISHES AVAILABLE: Zinc Plated, Hot-Dipped Galvanized & Stainless Steel

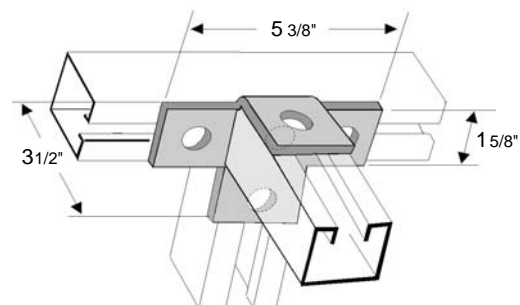
**Three Hole Offset Bent
Angle**
AF310

 Wt./C 65 Lbs.
Std. Pkg. 25 Pcs.

**Three Hole Offset Bent
Angle**
AF311

 Wt./C 65 Lbs.
Std. Pkg. 25 Pcs.

**Four Hole Offset Bent
Angle**
AF410

 Wt./C 76 Lbs.
Std. Pkg. 20 Pcs.

**Four Hole Offset Bent
Angle**
AF411

 Wt./C 76 Lbs.
Std. Pkg. 20 Pcs.

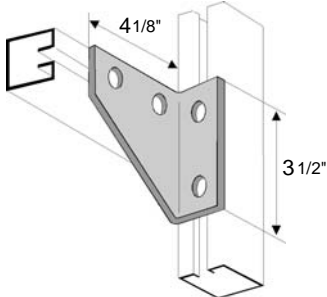
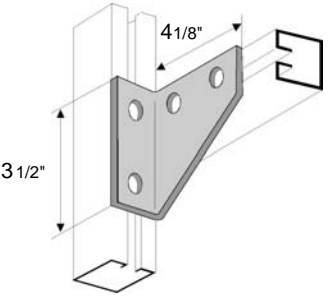
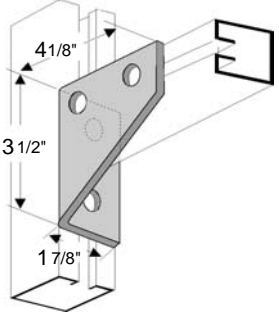
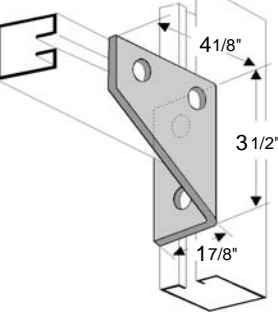
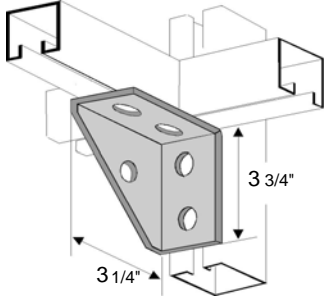
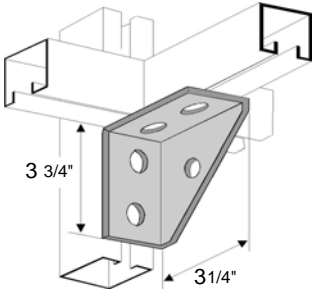
**Four Hole Offset Bent
Tee**
AF415

 Wt./C 76 Lbs.
Std. Pkg. 20 Pcs.

**Five Hole Offset Bent
Tee**
AF510

 Wt./C 96 Lbs.
Std. Pkg. 10 Pcs.

FITTING SPECIFICATIONS (unless noted): Hole Size-9/16" Diameter; Hole Spacing-13/16" from end and 1 7/8" on center.
Width-1 5/8"; Thickness 1/4"

STANDARD FINISHES: Zinc Plating

ALSO AVAILABLE IN: HDG and STAINLESS STEEL

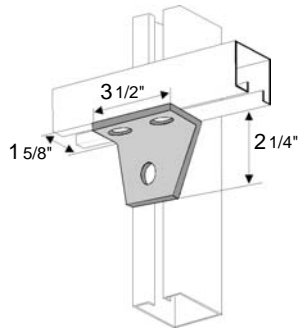
<p>Four-Hole Corner Gusset AF420 <i>Non-Stock Item Priced on Application</i></p>  <p>Wt./C 100 Lbs. Std. Pkg. 20 Pcs.</p>	<p>Four-Hole Corner Gusset AF421 <i>Non-Stock Item Priced on Application</i></p>  <p>Wt./C 100 Lbs. Std. Pkg. 20 Pcs.</p>
<p>Four-Hole Corner Gusset AF422 <i>Non-Stock Item Priced on Application</i></p>  <p>Wt./C 100 Lbs. Std. Pkg. 20 Pcs.</p>	<p>Four-Hole Corner Gusset AF423 <i>Non-Stock Item Priced on Application</i></p>  <p>Wt./C 100 Lbs. Std. Pkg. 25 Pcs.</p>
<p>Five-Hole Webbed Corner Angle AF430 <i>Std Stocking Item</i></p>  <p>Wt./C 132 Lbs. Std. Pkg. 10 Pcs.</p>	<p>Five-Hole Webbed Corner Angle AF431 <i>Std Stocking Item</i></p>  <p>Wt./C 132 Lbs. Std. Pkg. 10 Pcs.</p>

FITTING SPECIFICATIONS (*unless noted*): Hole Size-9/16" Diameter; Hole Spacing-13/16" from end and 1 7/8" on center.
Width-1 5/8"; Thickness 1/4"

FINISHES AVAILABLE: Zinc Plated, Hot-Dipped Galvanized & Stainless Steel

**Three Hole Shelf Gusset
Angle**

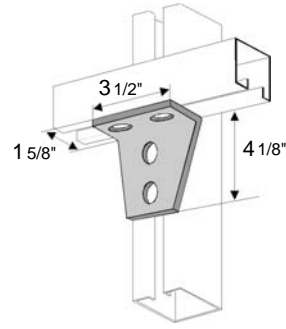
AF340



Wt./C 67 Lbs.
Std. Pkg. 20 Pcs.

**Four Hole Shelf Gusset
Angle**

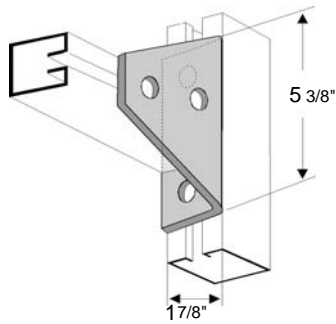
AF440



Wt./C 102 Lbs.
Std. Pkg. 20 Pcs.

**Four Hole Shelf Gusset
Angle**

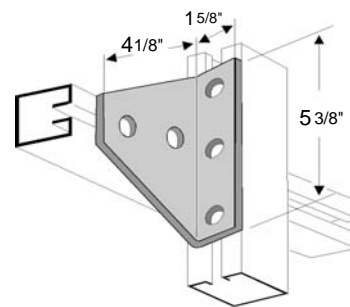
AF441



Wt./C 148 Lbs.
Std. Pkg. 20 Pcs.

**Five Hole Shelf Gusset
Angle**

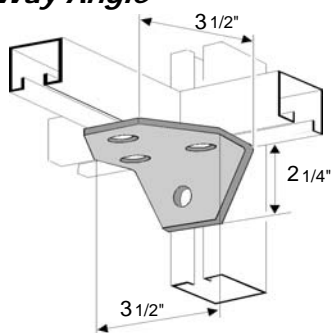
AF540



Wt./C 141 Lbs.
Std. Pkg. 20 Pcs.

**Four Hole Shelf Gusset
Three Way Angle**

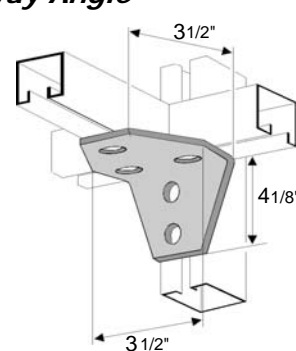
AF445



Wt./C 101 Lbs.
Std. Pkg. 20 Pcs.

**Five Hole Shelf Gusset
Three Way Angle**

AF545



Wt./C 135 Lbs.
Std. Pkg. 15 Pcs.

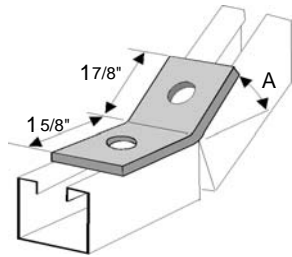
FITTING SPECIFICATIONS (unless noted): Hole Size-9/16" Diameter; Hole Spacing-13/16" from end and 1 7/8" on center.
Width-1 5/8"; Thickness 1/4"

STANDARD FINISHES: Zinc Plating

ALSO AVAILABLE IN: HDG and STAINLESS STEEL

Two Hole Open Short Angle

AF220

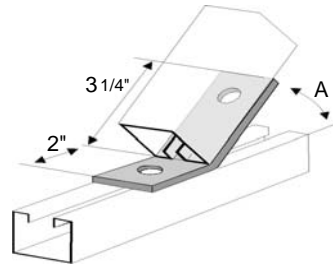


PART No.	A
AF220-1	30°
AF220-2	45°
AF220-3	60°
AF220-4	75°

Wt./C 37 Lbs.
Std. Pkg. 50 Pcs.

Two Hole Open Angle

AF221

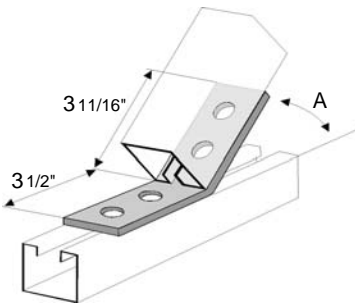


PART No.	A
AF221-1	30°
AF221-2	45°
AF221-3	60°
AF221-4	75°

Wt./C 56 Lbs.
Std. Pkg. 25 Pcs.

Four Hole Open Angle

AF425

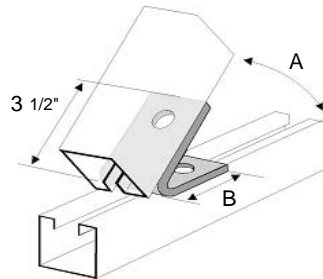


PART No.	A
AF425-1	30°
AF425-2	45°
AF425-3	60°
AF425-4	75°

Wt./C 77 Lbs.
Std. Pkg. 25 Pcs.

Two Hole Closed Angle

AF225

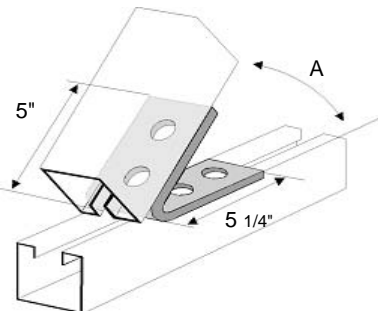


Std. Pkg. 25 Pcs.

PART No.	A	B	Wt. Per 100
AF225-1	30°	3 1/2	73 #
AF225-2	45°	2 1/2	62 #
AF225-3	60°	2 1/2	62 #
AF225-4	75°	2 1/2	62 #

Four Hole Closed Angle

AF426



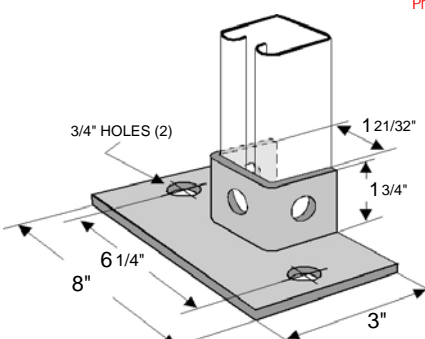
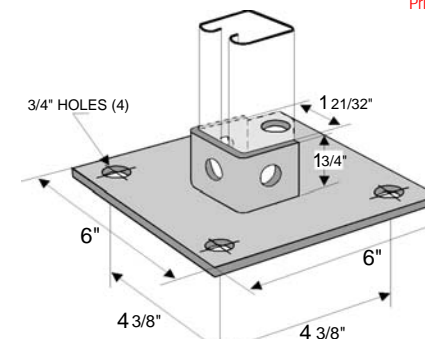
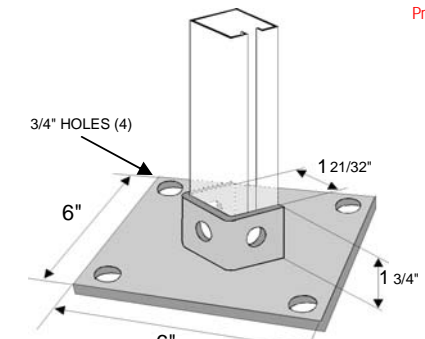
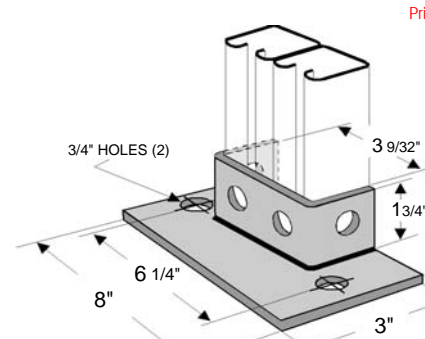
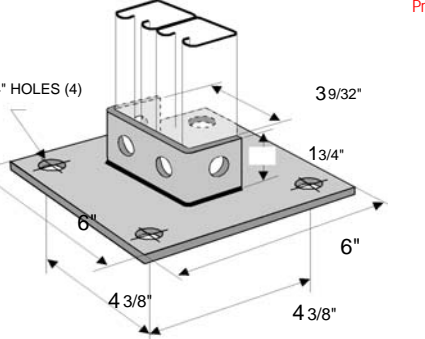
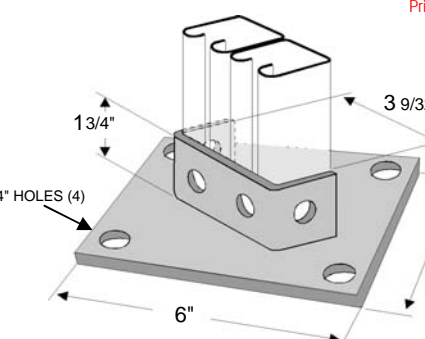
PART No.	A
AF426-1	30°
AF426-2	45°
AF426-3	60°
AF426-4	75°

Wt./C 108 Lbs.
Std. Pkg. 25 Pcs.

FITTING SPECIFICATIONS (unless noted): Hole Size-9/16" Diameter; Hole Spacing-13/16" from end and 1 7/8" on center. Width-1 5/8"; Thickness 1/4"

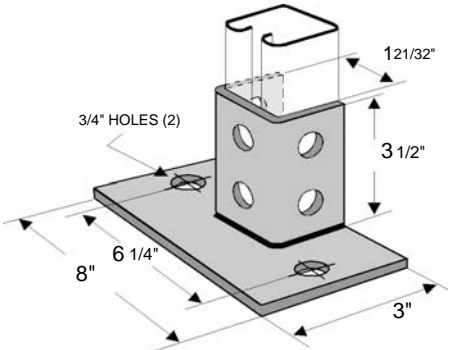
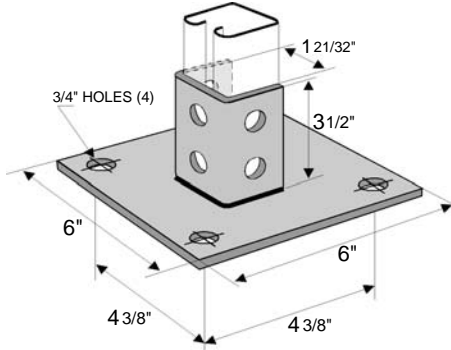
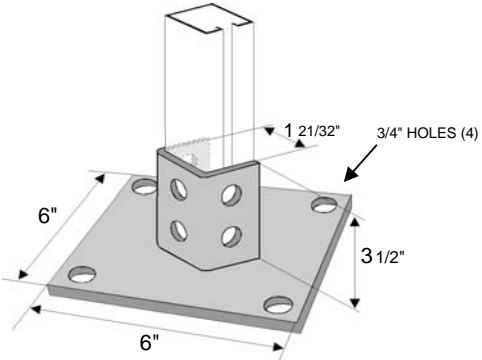
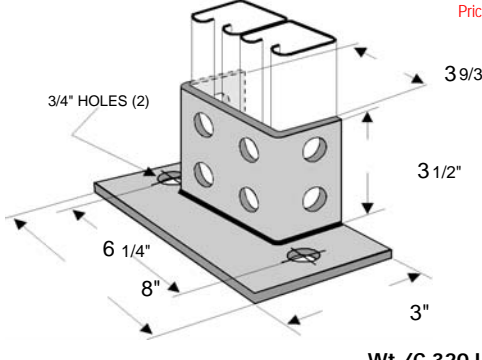
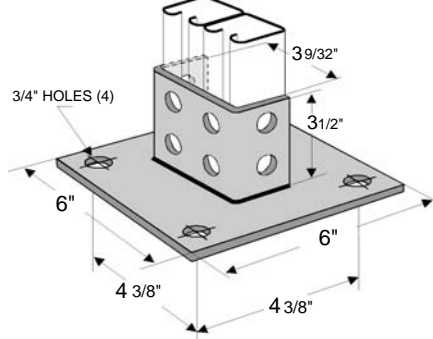
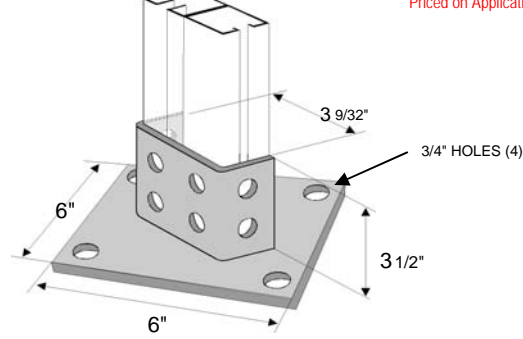
STANDARD FINISHES: Zinc Plating

ALSO AVAILABLE IN: HDG and STAINLESS STEEL

<p>Post Base PB100</p> <p style="text-align: right; color: red; font-size: small;">Non-Stock Item Priced on Application</p>  <p style="text-align: right;">Wt./C 230 Lbs. Std. Pkg. 10 Pcs.</p>	<p>Post Base PB101</p> <p style="text-align: right; color: red; font-size: small;">Non-Stock Item Priced on Application</p>  <p style="text-align: right;">Wt./C 314 Lbs. Std. Pkg. 10 Pcs.</p>
<p>Post Base PB102</p> <p style="text-align: right; color: red; font-size: small;">Non-Stock Item Priced on Application</p>  <p style="text-align: right;">Wt./C 314 Lbs. Std. Pkg. 10 Pcs.</p>	<p>Post Base PB110</p> <p style="text-align: right; color: red; font-size: small;">Non-Stock Item Priced on Application</p>  <p style="text-align: right;">Wt./C 250 Lbs. Std. Pkg. 10 Pcs.</p>
<p>Post Base PB111</p> <p style="text-align: right; color: red; font-size: small;">Non-Stock Item Priced on Application</p>  <p style="text-align: right;">Wt./C 330 Lbs. Std. Pkg. 10 Pcs.</p>	<p>Post Base PB112</p> <p style="text-align: right; color: red; font-size: small;">Non-Stock Item Priced on Application</p>  <p style="text-align: right;">Wt./C 330 Lbs. Std. Pkg. 10 Pcs.</p>

FITTING SPECIFICATIONS (unless noted) : Hole Size-9/16" Diameter; Hole Spacing-13/16" from end and 1 7/8" on center.
Width-1 5/8"; Thickness 1/4"

FINISHES AVAILABLE: Zinc Plated, Hot-Dipped Galvanized & Stainless Steel

<p>Post Base PB200</p> <p style="text-align: right; color: red; font-size: small;">Non-Stock Item Priced on Application</p>  <p style="text-align: right;">Wt./C 312 Lbs. Std. Pkg. 5 Pcs.</p>	<p>Post Base PB201</p> <p style="text-align: right; color: blue; font-size: small;">Std Stocking Item</p>  <p style="text-align: right;">Wt./C 392 Lbs. Std. Pkg. 5 Pcs.</p>
<p>Post Base PB202</p> <p style="text-align: right; color: blue; font-size: small;">Std Stocking Item</p>  <p style="text-align: right;">Wt./C 392 Lbs. Std. Pkg. 5 Pcs.</p>	<p>Post Base PB210</p> <p style="text-align: right; color: red; font-size: small;">Non-Stock Item Priced on Application</p>  <p style="text-align: right;">Wt./C 320 Lbs. Std. Pkg. 5 Pcs.</p>
<p>Post Base PB211</p> <p style="text-align: right; color: blue; font-size: small;">Std Stocking Item</p>  <p style="text-align: right;">Wt./C 400 Lbs. Std. Pkg. 5 Pcs.</p>	<p>Post Base PB212</p> <p style="text-align: right; color: red; font-size: small;">Non-Stock Item Priced on Application</p>  <p style="text-align: right;">Wt./C 400 Lbs. Std. Pkg. 5 Pcs.</p>

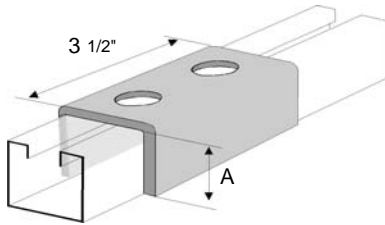
FITTING SPECIFICATIONS (unless noted) : Hole Size-9/16" Diameter; Hole Spacing-13/16" from end and 1 7/8" on center.
Width-1 5/8"; Thickness 1/4"

FINISHES AVAILABLE: Zinc Plated, Hot-Dipped Galvanized & Stainless Steel

Two-Hole Splice Plate

UF200

Non-Stock Item
Priced on Application

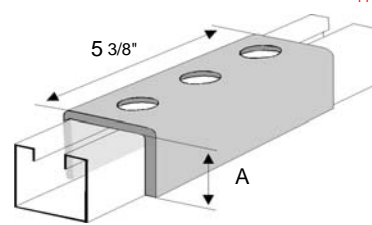


PART No.	A	Wt. Per 100	Std. Pkg.
UF200-1	13/16"	84 #	25
UF200-2	1"	91 #	25
UF200-3	1 3/8"	110 #	25
UF200-4	1 5/8"	121 #	25
UF200-5	2"	141 #	20
UF200-6	2 7/16"	162 #	20
UF200-7	3 1/4"	202 #	20

Three-Hole Splice Plate

UF300

Non-Stock Item
Priced on Application

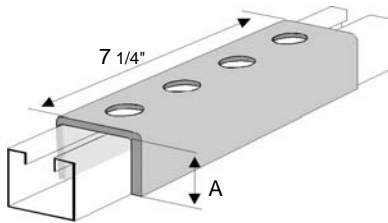


PART No.	A	Wt. Per 100	Std. Pkg.
UF300-1	13/16"	126 #	25
UF300-2	1"	140 #	25
UF300-3	1 3/8"	169 #	25
UF300-4	1 5/8"	186 #	25
UF300-5	2"	217 #	20
UF300-6	2 7/16"	250 #	20
UF300-7	3 1/4"	312 #	20

Four-Hole "U" Splice

UF400

Stocking Item
(UF400-4)

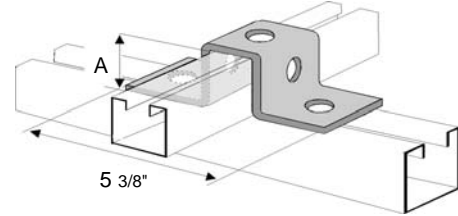


PART No.	A	Wt. Per 100	Std. Pkg.
UF400-1	13/16"	170 #	15
UF400-2	1"	189 #	15
UF400-3	1 3/8"	228 #	15
UF400-4	1 5/8"	250 #	15
UF400-5	2"	292 #	10
UF400-6	2 7/16"	337 #	10
UF400-7	3 1/4"	420 #	10

Three-Hole "U" Support

UF310

Stocking Item
(UF310-4 with 5 holes)



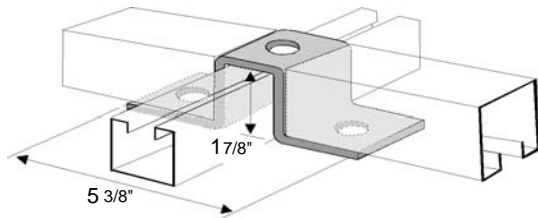
PART No.	A	Wt. Per 100
UF310-2	1"	75 #
UF310-3	1 3/8"	84 #
UF310-4	1 5/8"	90 #
UF310-5	2"	99 #
UF310-6	2 7/16"	108 #
UF310-7	3 1/4"	126 #

Std. Pkg. 25 Pcs.

Three-Hole Offset "U" Support

UF315

Non-Stock Item
Priced on Application

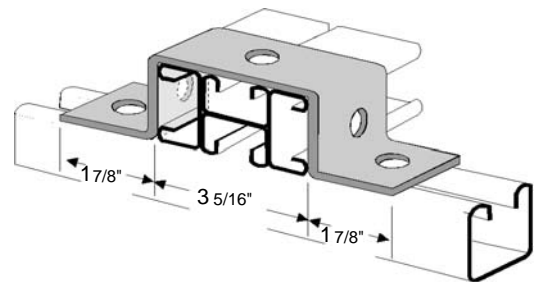


Wt./C 89 Lbs.
Std. Pkg. 25 Pcs.

Five-Hole "U" Support

UF500

Non-Stock Item
Priced on Application



Wt./C 106 Lbs.
Std. Pkg. 10 Pcs.

FITTING SPECIFICATIONS (unless noted): Hole Size-9/16" Diameter; Hole Spacing-13/16" from end and 1 7/8" on center. Width-1 1/2"; Thickness 1/4"

FINISHES AVAILABLE: Zinc Plated, Hot-Dipped Galvanized & Stainless Steel

Six-Hole "U" Support **UF600**
Non-Stock Item
Priced on Application

Wt./C 105 Lbs.
Std. Pkg. 10 Pcs.

Two-Hole Clevis **UF210**
Non-Stock Item
Priced on Application

Std. Pkg. 20 Pcs.

PART No.	A	Wt. Per 100
UF210-1	4"	89 #
UF210-2	5"	93 #
UF210-3	6"	106 #
UF210-4	7"	118 #
UF210-5	8"	132 #

Four-Hole Clevis **UF410**
Non-Stock Item
Priced on Application

Wt./C 71 Lbs.
Std. Pkg. 20 Pcs.

Three-Hole Suspension Clevis **UF330**
Non-Stock Item
Priced on Application

Wt./C 75 Lbs.
Std. Pkg. 20 Pcs.

Three-Hole Cup Support **UF331**
Non-Stock Item
Priced on Application

Wt./C 73 Lbs.
Std. Pkg. 20 Pcs.

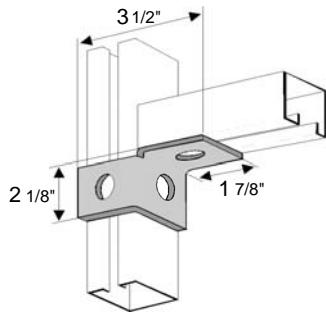
FITTING SPECIFICATIONS (unless noted) : Hole Size-9/16" Diameter; Hole Spacing-13/16" from end and 1 7/8" on center.
Width-1 1/2"; Thickness 1/4"

FINISHES AVAILABLE: Zinc Plated, Hot-Dipped Galvanized & Stainless Steel

Three-Hole Single Wing Connection

WF300

Non-Stock Item
Priced on Application

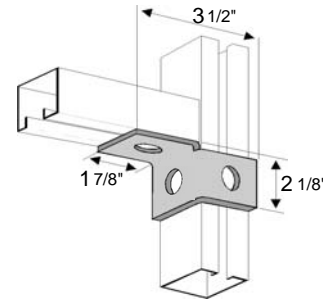


Wt./C 54 Lbs.
Std. Pkg. 20 Pcs.

Three-Hole Single Wing Connection

WF301

Non-Stock Item
Priced on Application

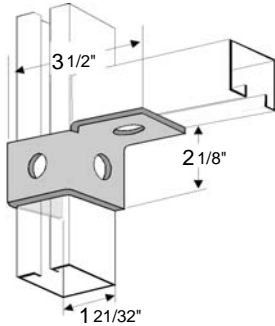


Wt./C 54 Lbs.
Std. Pkg. 20 Pcs.

Four-Hole Single Wing Connection

WF400

Non-Stock Item
Priced on Application

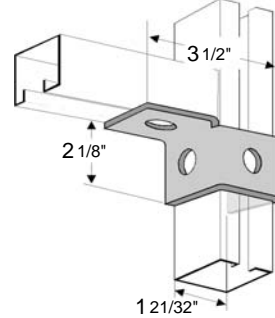


Wt./C 77 Lbs.
Std. Pkg. 10 Pcs.

Four-Hole Single Wing Connection

WF401

Non-Stock Item
Priced on Application

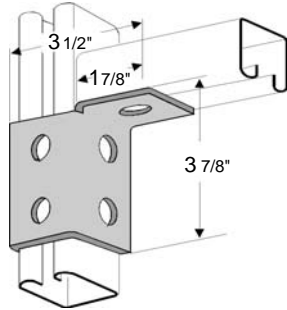


Wt./C 77 Lbs.
Std. Pkg. 10 Pcs.

Five-Hole Single Wing Connection

WF500

Non-Stock Item
Priced on Application

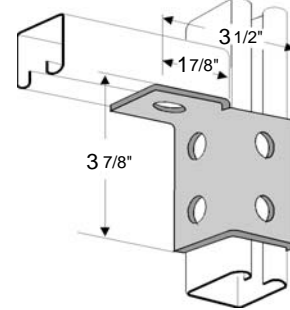


Wt./C 100 Lbs.
Std. Pkg. 20 Pcs.

Five-Hole Single Wing Connection

WF501

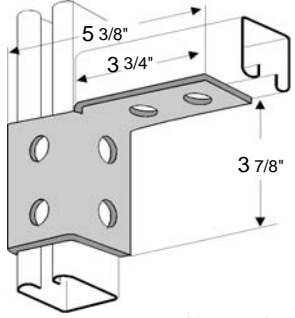
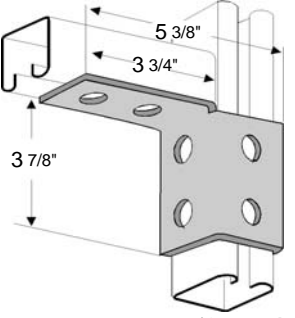
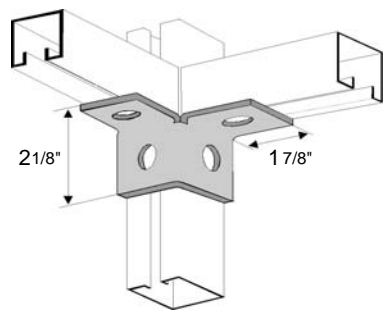
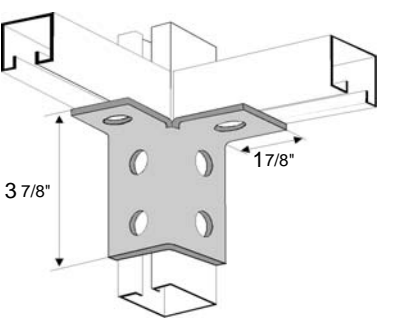
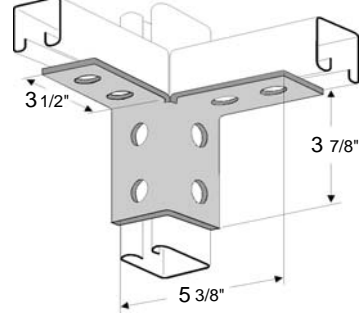
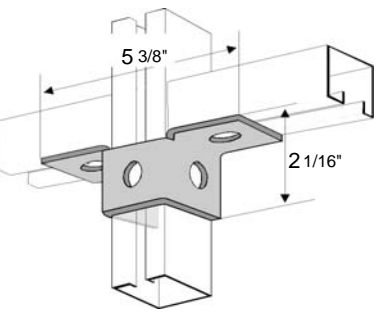
Non-Stock Item
Priced on Application



Wt./C 100 Lbs.
Std. Pkg. 20 Pcs.

FITTING SPECIFICATIONS (unless noted) : Hole Size-9/16" Diameter; Hole Spacing-13/16" from end and 1 7/8" on center.
Width-1 5/8"; Thickness 1/4"

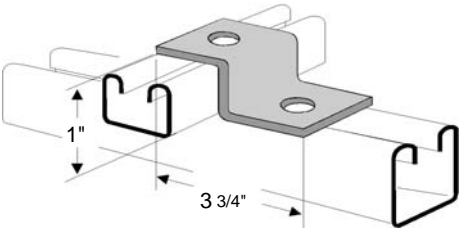
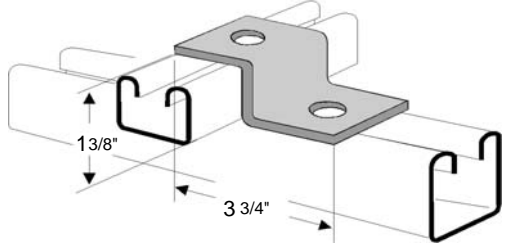
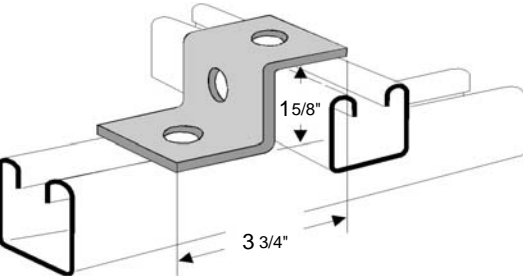
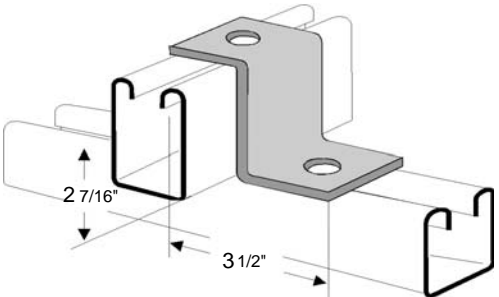
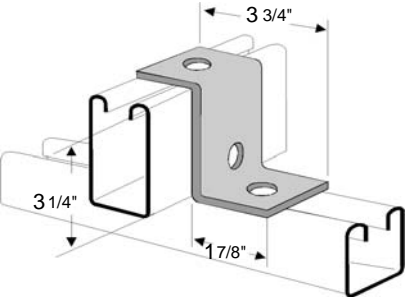
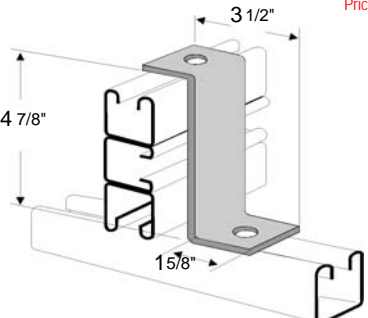
FINISHES AVAILABLE: Zinc Plated, Hot-Dipped Galvanized & Stainless Steel

<p>Six Hole Single Corner Connection</p> <p style="text-align: right;">WF600</p>  <p style="text-align: center;">Wt./C 120 Lbs. Std. Pkg. 20 Pcs.</p>	<p>Six Hole Single Corner Connection</p> <p style="text-align: right;">WF601</p>  <p style="text-align: center;">Wt./C 120 Lbs. Std. Pkg. 20 Pcs.</p>
<p>Four Hole Double Corner Connection</p> <p style="text-align: right;">WF405</p>  <p style="text-align: center;">Wt./C 71 Lbs. Std. Pkg. 20 Pcs.</p>	<p>Six Hole Double Corner Connection</p> <p style="text-align: right;">WF605</p>  <p style="text-align: center;">Wt./C 110 Lbs. Std. Pkg. 20 Pcs.</p>
<p>Eight Hole Double Corner Connection</p> <p style="text-align: right;">WF805</p>  <p style="text-align: center;">Wt./C 152 Lbs. Std. Pkg. 10 Pcs.</p>	<p>Five Hole Double Wing Connection</p> <p style="text-align: right;">WF510</p>  <p style="text-align: center;">Wt./C 95 Lbs. Std. Pkg. 10 Pcs.</p>

FITTING SPECIFICATIONS (unless noted): Hole Size-9/16" Diameter; Hole Spacing-13/16" from end and 1 7/8" on center. Width-1 5/8"; Thickness 1/4"

STANDARD FINISHES: Zinc Plated

ALSO AVAILABLE IN: HDG and STAINLESS STEEL

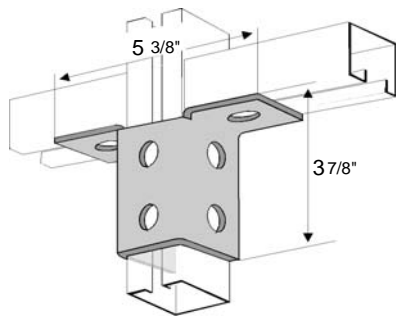
<p>Two-Hole "Z" Support ZF201 <small>Non-Stock Item Priced on Application</small></p>  <p>Wt./C 44 Lbs. Std. Pkg. 25 Pcs.</p>	<p>Two-Hole "Z" Support ZF202 <small>Non-Stock Item Priced on Application</small></p>  <p>Wt./C 51 Lbs. Std. Pkg. 25 Pcs.</p>
<p>Three-Hole "Z" Support ZF203 <small>Non-Stock Item Priced on Application</small></p>  <p>Wt./C 51 Lbs. Std. Pkg. 25 Pcs.</p>	<p>Two-Hole "Z" Support ZF204 <small>Non-Stock Item Priced on Application</small></p>  <p>Wt./C 63 Lbs. Std. Pkg. 25 Pcs.</p>
<p>Three-Hole "Z" Support ZF205 <small>Non-Stock Item Priced on Application</small></p>  <p>Wt./C 70 Lbs. Std. Pkg. 25 Pcs.</p>	<p>Two-Hole "Z" Support ZF206 <small>Non-Stock Item Priced on Application</small></p>  <p>Wt./C 90 Lbs. Std. Pkg. 25 Pcs.</p>

FITTING SPECIFICATIONS (unless noted): Hole Size-9/16" Diameter; Hole Spacing-13/16" from end and 1 7/8" on center.
 Width-1 1/2"; Thickness 1/4"

FINISHES AVAILABLE: Zinc Plated, Hot-Dipped Galvanized & Stainless Steel

Eight Hole Double Wing Connection

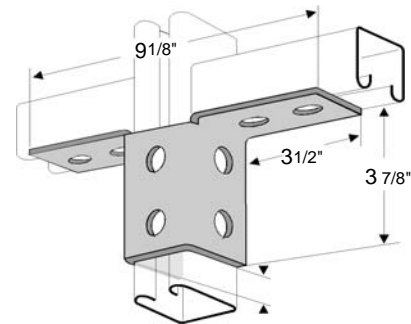
WF810



Wt./C 156 Lbs.
Std. Pkg. 20 Pcs.

Ten Hole Double Wing Connection

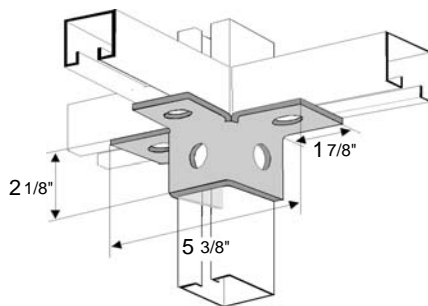
WF1010



Wt./C 185 Lbs.
Std. Pkg. 10 Pcs.

Six Hole Triple Wing Connection

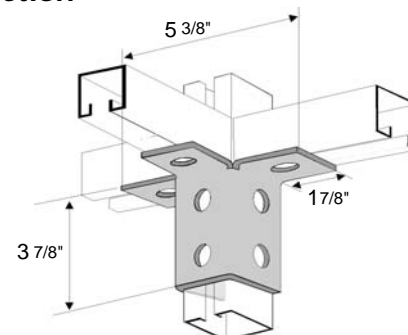
WF620



Wt./C 110 Lbs.
Std. Pkg. 20 Pcs.

Nine Hole Triple Wing Connection

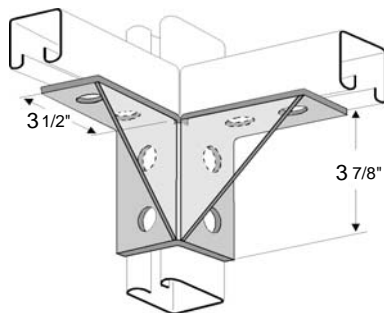
WF920



Wt./C 177 Lbs.
Std. Pkg. 10 Pcs.

Eight Hole Double Corner Gussetted Connection

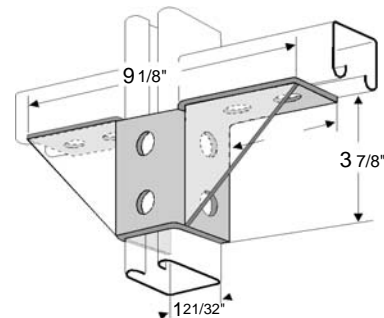
WF830



Wt./C 196 Lbs.
Std. Pkg. 5 Pcs.

Ten Hole Double Wing Gussetted Connection

WF1030



Wt./C 240 Lbs.
Std. Pkg. 5 Pcs.

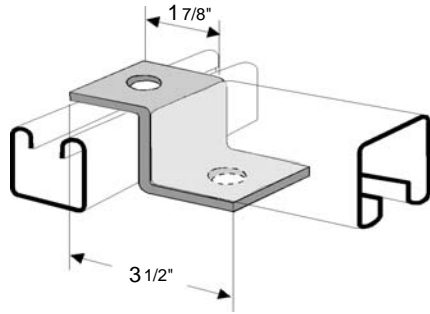
FITTING SPECIFICATIONS (unless noted): Hole Size-9/16" Diameter; Hole Spacing-13/16" from end and 1 7/8" on center. Width-1 5/8"; Thickness 1/4"

STANDARD FINISHES: Zinc Plated

ALSO AVAILABLE IN: HDG and STAINLESS STEEL

**Two Hole Offset
"Z" Support**

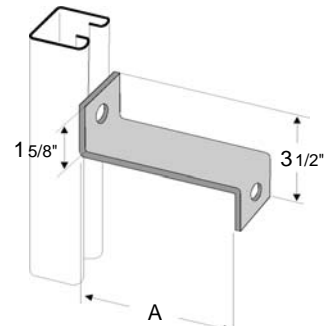
ZF210



Wt./C 55 Lbs.
Std. Pkg. 25 Pcs.

**Two Hole "Z" Bus Duct
Connection**

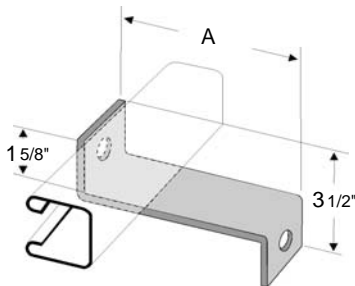
ZF220



PART No.	A	Wt. Per 100	Std. Pkg.
ZF220-1	2 5/32"	62 #	25
ZF220-2	3 17/32"	78 #	20
ZF220-3	4 1/2"	89 #	20

Two Hole "Z" Support

ZF221

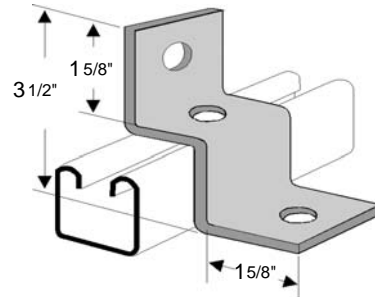


PART No.	A	Wt. Per 100
ZF221-1	4"	77 #
ZF221-2	5"	95 #
ZF221-3	6"	98 #
ZF221-4	7"	105 #
ZF221-5	8"	120 #

Std. Pkg. 20 Pcs.

**Three Hole Sheath
Corner Connection**

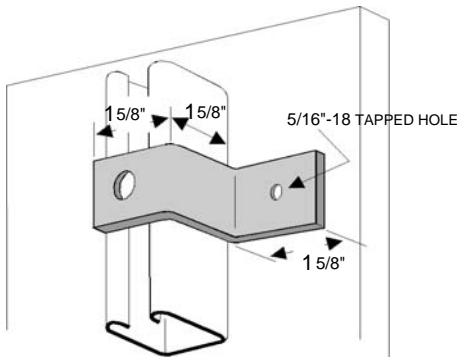
ZF300



Wt./C 68 Lbs.
Std. Pkg. 20 Pcs.

Tapped "Z" Support

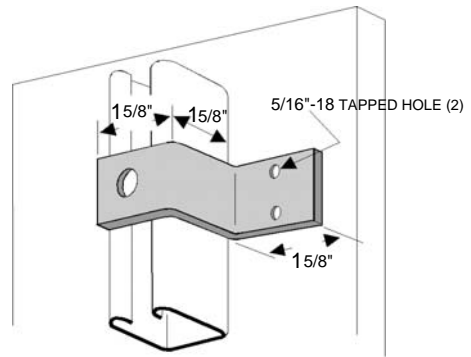
ZF230



Wt./C 51 Lbs.
Std. Pkg. 25 Pcs.

Tapped "Z" Support

ZF231

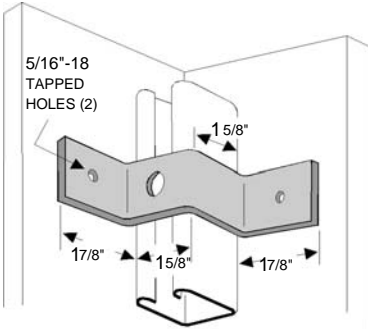
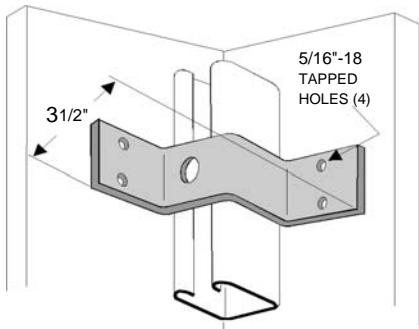


Wt./C 50 Lbs.
Std. Pkg. 25 Pcs.

FITTING SPECIFICATIONS (unless noted): Hole Size-9/16" Diameter; Hole Spacing-13/16" from end and 1 7/8" on center. Width-1 1/2"; Thickness 1/4"

STANDARD FINISHES: Zinc Plating

ALSO AVAILABLE IN: HDG and STAINLESS STEEL

<p>Tapped Corner Connection</p> <p style="text-align: right;">ZF330</p>  <p style="text-align: center;">Wt./C 71 Lbs. Std. Pkg. 20 Pcs.</p>	<p>Tapped Corner Connection</p> <p style="text-align: right;">ZF331</p>  <p style="text-align: center;">Wt./C 68 Lbs. Std. Pkg. 20 Pcs.</p>

FITTING SPECIFICATIONS (*unless noted*): Hole Size-9/16" Diameter; Hole Spacing-13/16" from end and 1 7/8" on center. Width-1 1/2"; Thickness 1/4"

STANDARD FINISHES: Zinc Plating

ALSO AVAILABLE IN: HDG and STAINLESS STEEL

<p>Beam Clamp BC460 Non-Stock Item Priced on Application</p> <p>Maximum flange thickness 1" Design Load 1000 Lbs. (12Ga. Strut) when used in pairs.</p> <p>1/2"-13 Setscrew included. 3/8"x 1 1/4" Material</p> <p>Wt./C 62 Lbs. Std. Pkg. 25 Pcs.</p> <p>Sold in pieces</p>	<p>Beam Clamp BC470 Stocking Item</p> <p>Maximum flange thickness 3/4" Design Load 600 Lbs. (12Ga. Strut) when used in pairs.</p> <p>3/8" - 16 Setscrew included. 1/4" x 1 1/4" Material</p> <p>Wt./C 40 Lbs. Std. Pkg. 50 Pcs.</p> <p>Sold in pieces</p>
<p>Beam Clamp BC480 Stocking Item</p> <p>Design Load 800 Lbs. (12Ga. Strut) when used in pairs.</p> <p>1/2"-13 Setscrew included. 3/8" x 1 1/2" Material</p> <p>Wt./C 95 Lbs. Std. Pkg. 25 Pcs.</p> <p>Sold in pieces</p>	<p>"Z" Beam Clamp BC490 Non-Stock Item Priced on Application</p> <p>Design Load 600 Lbs. (12Ga. Strut) when used in pairs.</p> <p>1/2"-13 Setscrew included. 3/8" x 1 1/2" Material</p> <p>Wt./C 70 Lbs. Std. Pkg. 25 Pcs.</p> <p>Sold in pieces</p>
<p>"Z" Beam Clamp BC491 Stocking Item</p> <p>Design Load 500 Lbs. (12Ga. Strut) when used in pairs.</p> <p>1/2"-13 Setscrew included. 1/4" x 1 3/4" Material</p> <p>Wt./C 44 Lbs. Std. Pkg. 25 Pcs.</p> <p>Sold in pieces</p>	<p>Window Beam Clamp BC500 Stocking Item</p> <p>For use with 1 5/8" channel height Design Load 800 Lbs. (12Ga. Strut) when used in pairs.</p> <p>1/2"-13 Setscrew included.</p> <p>Wt./C 112 Lbs. Std. Pkg. 25 Pcs.</p> <p>Sold in pieces</p>

FITTING SPECIFICATIONS (unless noted): Hole Size-9/16" Diameter; Hole Spacing-13/16" from end and 1 7/8" on center.
Width-1 5/8"; Thickness 1/4"

FINISHES AVAILABLE: Zinc Plated, Hot-Dipped Galvanized & Stainless Steel

Beam Clamp **BC515**
Std Stocking Item

Maximum flange thickness 13/16"
Design Load 750 Lbs. (12Ga. Strut)
Wrapped seam welded.
1/2"-13 Setscrew and Square Nut included.

1/8" Material
Wt./C 80 Lbs.
Std. Pkg. 25 Pcs.

Beam Clamp & Swing Connector Assembly **BC516A**
Non-Stock Item
Priced on Application

BC515
BC531

Wt./C 107 Lbs.
Std. Pkg. 20 Pcs.
Design Load 400 Lbs.
Supplied Assembled

Beam Clamp Safety Strap **BC520**
Non-Stock Item
Priced on Application

SIZE	A
BC520-6	8"
BC520-6A	9"
BC520-9	11"
BC520-9A	12"
BC520-12A	15"
BC520-16	20"
BC520-20	23"

Std. Pkg. BULK
14 Ga. X 1 1/4" Pre-Galvanized Material

Beam Clamp Swing Connector **BC531**
Non-Stock Item
Priced on Application

Allows for angular adjustment when using BC510 and BC512 beam clamps.

Design Load 400 Lbs.
1/8" Material
Wt./C 27 Lbs.
Std. Pkg. 25 Pcs.

3/8"-16 Capscrew, Lockwasher, and Nut included.

Beam Clamp **BC540**
Non-Stock Item
Priced on Application

PART No.	Bolt Length	For Flange Width	Wt. Per 100
BC540-1	11"	4" - 9"	240#
BC540-2	19 1/2"	10" - 17"	300#

Maximum Load 800#
Std. Pkg. BULK

Includes: 1 pc. Beam Clamp
1 pc. J Hook
2 pc 1/2"-13 Hex Nuts

Beam Clamp-Single Strut **BC890**
Std Stocking Item

For use with 13/16" to 1 5/8" high channel
Design Load 1200 Lbs.(12Ga. Strut) when used in pairs.
Recommended Torque: 150 in-lbs. (16.9 N*m)

Sold in Pieces
3/8"-16 Square "U" Bolt and Nuts included.
Wt./C 83 Lbs.
Std. Pkg. 25 Pcs.

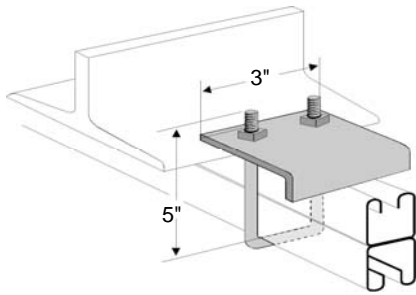
FITTING SPECIFICATIONS (unless noted): Hole Size-9/16" Diameter; Hole Spacing-13/16" from end and 1 7/8" on center. Width-1 5/8"; Thickness 1/4"

FINISHES AVAILABLE: Zinc Plated, Hot-Dipped Galvanized & Stainless Steel

Beam Clamp-Double Strut

BC891

Std Stocking Item

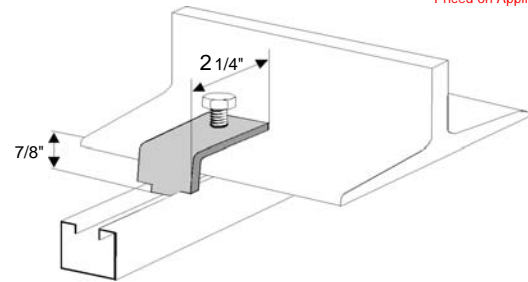


3/8"-16 Square "U" Bolt and Nuts included
 For use with 1 5/8" to 3 1/4" high channel
 Design Load 1200 Lbs.(12Ga. Strut) when used in pairs
 Recommended Torque: **Wt./C 92 Lbs.**
 150 in-lbs. (16.9 N*m) Sold in Pieces **Std. Pkg. 25 Pcs.**

Beam Clamp

BC900

Non-Stock Item
 Priced on Application



Design Load 1000 Lbs. (12Ga. Strut)
 when used in pairs.

Sold in pieces

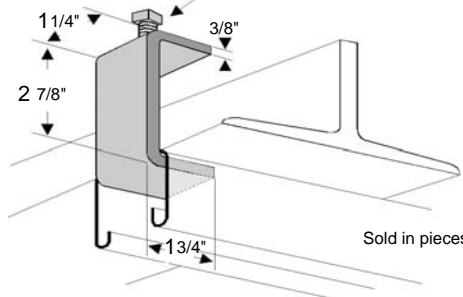
Wt./C 26 Lbs.
Std. Pkg. 50 Pcs.

Beam Clamp

BC700

Non-Stock Item
 Priced on Application

1/2" - 13 Setcrew Included



Sold in pieces

Design Load 1000 Lbs. (12Ga. Strut)
 when used in pairs.

Wt./C 80 Lbs.
Std. Pkg. 25 Pcs.

FITTING SPECIFICATIONS (unless noted) : Hole Size-9/16" Diameter; Hole Spacing-13/16" from end and 1 7/8" on center.
 Width-1 5/8"; Thickness 1/4"

FINISHES AVAILABLE: Zinc Plated, Hot-Dipped Galvanized & Stainless Steel

Two-Hole 45° Knee Brace **MF100**
 Non Stock Item
 Priced on Application

Std. Pkg. BULK

PART No.	Dim. A	Wt. Per 100
MF100-1	8 1/2"	125 #
MF100-2	12"	162 #
MF100-3	17"	216 #
MF100-4	25"	300 #
MF100-5	36"	418 #

Wall Ladder Bracket **MF110**
 Non Stock Item
 Priced on Application

Std. Pkg. BULK

PART No.	Dim. A	Dim. B	Dim. C	Wt. Per 100
MF110-1	2 3/8"	6"	7 1/2"	110 #
MF110-2	4 3/8"	8"	9 1/2"	164 #
MF110-3	6 3/8"	10"	11 1/2"	200 #
MF110-4	8 3/8"	12"	13 1/2"	253 #
MF110-5	10 3/8"	14"	15 1/2"	318 #

Series Ladder Rungs **MF120**
 Non Stock Item
 Priced on Application

Std. Pkg. BULK

PART No.	Dim. A	Wt. Per 100
MF120-1	12"	176 #
MF120-2	15"	202 #
MF120-3	18"	234 #

Pipe Support Bracket **MF130**
MF131
 Non Stock Item
 Priced on Application

MF130
 Wt./C 88 Lbs.
 Std. Pkg. 20 Pcs.

MF131
 Wt./C 132 Lbs.
 Std. Pkg. 20 Pcs.

Single Channel Bracket **SB120**
 Std Stocking Item

Wt./C 250 Lbs.
 Std. Pkg. 5 Pcs.

Double Channel Bracket **SB121**
 Non Stock Item
 Priced on Application

Wt./C 284 Lbs.
 Std. Pkg. BULK

FITTING SPECIFICATIONS (unless noted): Hole Size-9/16" Diameter; Hole Spacing-13/16" from end and 1 7/8" on center. Width-1 1/2"; Thickness 1/4"

FINISHES AVAILABLE: Zinc Plated, Hot-Dipped Galvanized & Stainless Steel

Channel Plate Bracket
Only

SB125
Non-Stock Item
Priced on Application

3 1/2"

Finish: BARE METAL

Wt./C 45 Lbs.
Std. Pkg. BULK

Single Channel Bracket

SB130
S = Stocking Item
Other Sizes Available

4 5/8"

1/4" x 2" BACK PLATE

PART No.	A	Design Load	WT. Per 100
SB130-6	6"	1800	152 #
SB130-12	12"	850	232 #
SB130-18	18"	600	312 #
SB130-24	24"	400	450 #

Design Load Safety Factor 2.5

Single Channel Bracket

SB140
Non-Stock Item
Priced on Application

Bracket Material
1/4" x 1 3/4"

H

A

TS4 Strut
(1 5/8" Square)

Brace on SB140-24
and larger

PART No.	A	H	Uniform Load
SB140-12	12"	8 3/4"	1500
SB140-15	15"	8 3/4"	1000
SB140-21	21"	8 3/4"	1000
SB140-24	24"	8 3/4"	900
SB140-27	27"	8 3/4"	900
SB140-33	33"	11 1/4"	800
SB140-39	39"	11 1/4"	600

FITTING SPECIFICATIONS (unless noted): Hole Size-9/16" Diameter; Hole Spacing-13/16" from end and 1 7/8" on center.
Width-1 5/8"; Thickness 1/4"

FINISHES AVAILABLE: Zinc Plating, Hot-Dipped Galvanized & Stainless Steel