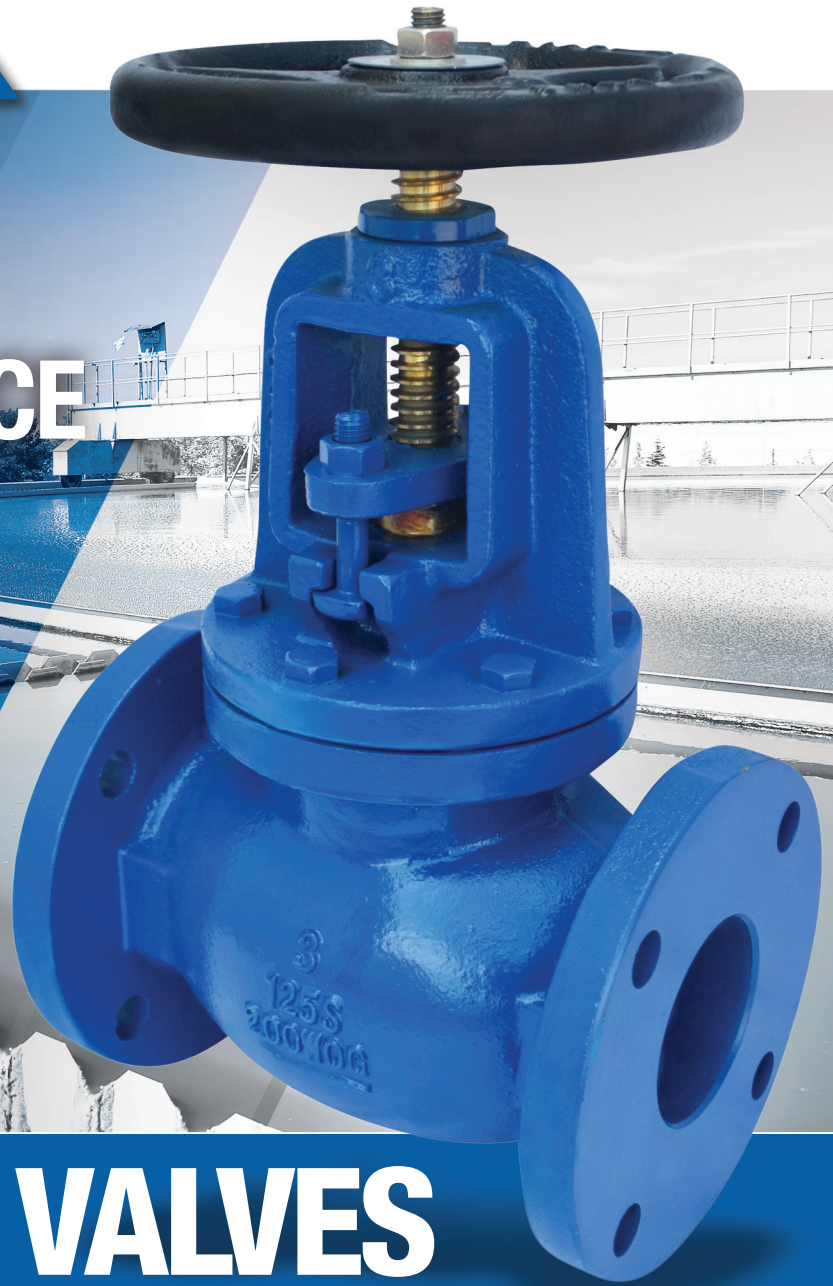


COMMERCIAL CONSTRUCTION | FIRE PROTECTION | HVAC | IRRIGATION
MINING | WATER & WASTE MANAGEMENT | OIL & GAS | POWER GENERATION

When **QUALITY,**
SERVICE and **PRICE**
MATTER MOST!



IRON GLOBE VALVES

GATE VALVES | GLOBE VALVES | CHECK VALVES | BUTTERFLY VALVES



Located in the greater Toronto area, NCI Canada Inc. is an innovative, privately owned company that specializes in the development, manufacturing and distribution of high quality pipe, valves and fittings (PVF). With over 20 years of industry experience, we are recognized as one of Canada's leading master distributors of pipe, valves and fittings and are proud to service wholesale, retail and OEM customers.

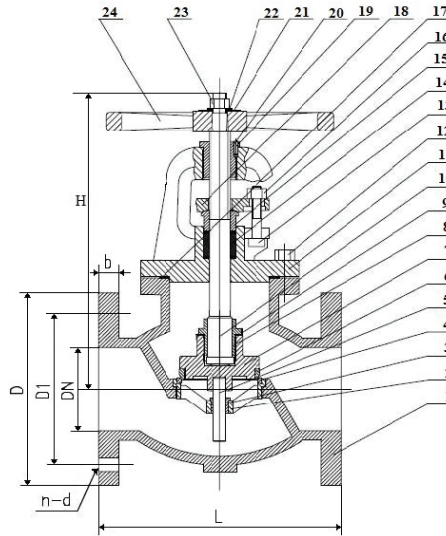


VISIT US ONLINE TODAY AT
NCICanada.com

The GLBA-FCI1333-HW is an NCI Canada class 125 rated (200 CWP) iron body globe valve with flanged ends. The GLBA-FCI1333-HW iron globe valves have a bolted bonnet and are bronze mounted. The GLBA-FCI1333-HW iron body globe valve meets MSS SP-85 standards and has a renewable disc and seat.

Globe Valve Material Specifications

NO.	PART NAME	MATERIAL	MATERIAL STANDARD
1	Body	Cast Iron	ASTM A126 B
2	Seat	Cast Bronze	ASTM B62
3	Gland Guide	Brass	ASTM B16
4	Seat Ring	Cast Bronze	ASTM B62
5	Stem Guide	Brass	ASTM B16
6	Disc Ring	Cast Bronze	ASTM B62
7	Disc	Cast Iron	ASTM A126 B
8	Swivel Nut	Cast Brass	ASTM B16
9	Gasket	Brass	ASTM B16
10	Stem	Brass	ASTM B16
11	Bonnet	Cast Iron	ASTM A126 B
12	Bolts	Steel	ASTM A307 B
13	Bolts	Steel	ASTM A307 B
14	Packing	Graphite	NON ASBESTOS
15	Packing Gland	Cast Brass	ASTM B16
16	Nuts	Steel	ASTM A307 B
17	Body Gasket	Graphite	NON ASBESTOS
18	Gland Follower	Ductile Iron	ASTM A536
19	Screws	Steel	ASTM A307 B
20	Stem Nut	Cast Bronze	ASTM B62
21	Identification Plate	Aluminum	COMMERCIAL
22	Washer	Steel	ASTM A307 B
23	Nut	Steel	ASTM A307 B
24	Handwheel	Cast Iron	ASTM A126 B



Valve Standard
Conforms to MSS SP-85

Flanged Ends
ANSI B16.1 Class 125

Working Pressure
125S, 200 WOG

Face to face Dimensions
Conforms to ANSI B16.10 (125 Lb)



Iron Globe Valve Dimensions

Size DN	mm	51	63.5	76	102	127	152	203	254	305
	inch	2	2 1/2	3	4	5	6	8	10	12
L	mm	203	216	241	292	330	356	495	622	698
	inch	8.0	8.5	9.5	11.5	13.0	14.0	19.5	24.5	27.5
D	mm	152	178	191	229	254	279	343	406	483
	inch	6.0	7.0	7.5	9.0	10.0	11.0	13.5	16.0	19.0
D1	mm	120.7	139.7	152.4	190.5	215.9	241.3	298.5	362	431.8
	inch	4.8	5.5	6.0	7.5	8.5	9.5	11.8	14.3	17.0
b	mm	15.8	17.5	19	23.9	23.9	25.4	28.5	30.2	31.8
	inch	0.62	0.69	0.75	0.94	0.94	1.00	1.12	1.19	1.25
n-d	mm	4-19	4-19	4-19	8-19	8-22	8-22	8-22	12-25	12-25
	inch	4-3/4	4-3/4	4-3/4	8-3/4	8-7/8	8-7/8	8-7/8	12-1	12-1
Weight	lb	42.990	47.399	57.320	90.389	133.380	191.802	310.851	480.607	630.521
	Kg	19.50	21.5	26.00	41.0	60.5	87.0	141.0	218	286

©2017 NCI Canada Inc., Oakville, ON, Canada. All rights reserved. The iron globe valve information and its contents hereof are proprietary to NCI Canada Inc. Any unauthorized reproduction or disclosure, in whole or in part is strictly prohibited. The iron globe valve material in this catalog / brochure is for general information and shall not be used for specific performance data and material selection without first consulting with NCI Canada Inc. NCI Canada reserves the right to change the enclosed iron globe valve information without notice. NCI Canada does not accept any liability or damages arising from the use of the iron globe valve information within this brochure. All trademarks and registered trademarks are owned by their respective companies.

*with proper machining capability



Headquarters and Central Warehouse

Address: 2305 Wycroft Road
Oakville, Ontario
Canada L6L 6R2

Local Tel: (905) 727-5545
Toll-Free: (800) 268-3509
Fax: (905) 727-4088

Web: www.ncicanada.com
Email: sales@ncicanada.com