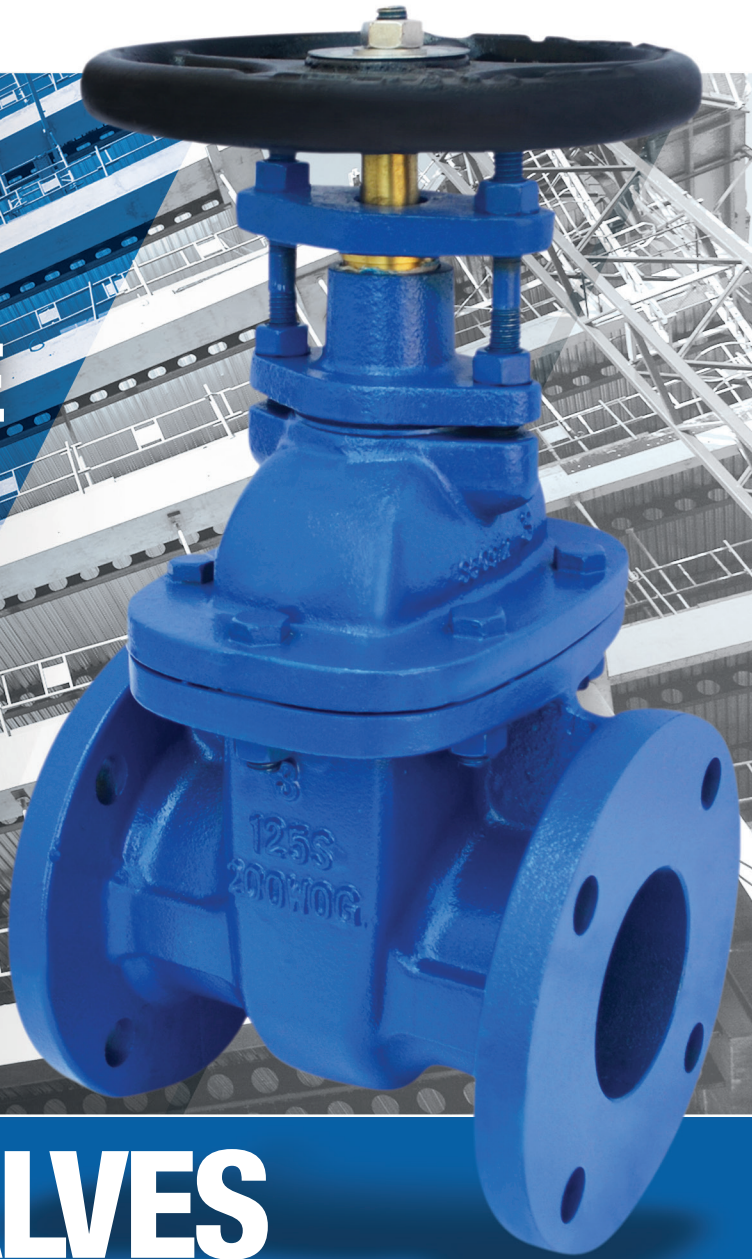


COMMERCIAL CONSTRUCTION | FIRE PROTECTION | HVAC | IRRIGATION
MINING | WATER & WASTE MANAGEMENT | OIL & GAS | POWER GENERATION

When **QUALITY,**
SERVICE and **PRICE**
MATTER MOST!



IRON GATE VALVES

GATE VALVES | GLOBE VALVES | CHECK VALVES | BUTTERFLY VALVES



Located in the greater Toronto area, NCI Canada Inc. is an innovative, privately owned company that specializes in the development, manufacturing and distribution of high quality pipe, valves and fittings (PVF). With over 20 years of industry experience, we are recognized as one of Canada's leading master distributors of pipe, valves and fittings and are proud to service wholesale, retail and OEM customers.



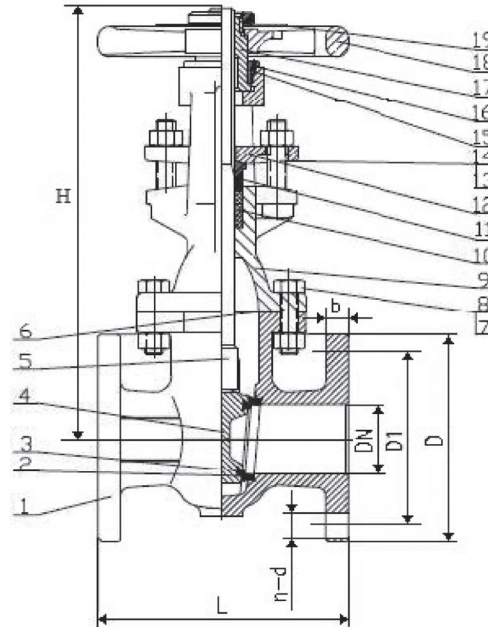
VISIT US ONLINE TODAY AT
NCICanada.com

GTVA-FCI1333-HW

Cast Iron Body OS&Y Type - Flanged Ends

Iron Gate Valves

The GTVA-FCI1333-HW is an NCI Canada class 125 rated (200 CWP) iron body gate valve with flanged ends. Our rising stem gate valves are bolted bonnet with an outside screw and yoke (OS&Y) design. The GTVA-FCI1333-HW is a solid wedge iron body gate valve is bronze mounted meet MSS SP-70 standards.



Flanged Ends
ANSI B16.1 Class 125

Valve Standard
Conforms to MSS SP-70

Face to face Dimensions
Conforms to ANSI B16.10 (125 Lb)

Working Pressure
125S, 200 WOG

Gate Valve Material Specifications

NO.	PART NAME	MATERIAL	MATERIAL STANDARD
1	Body	Cast Iron	ASTM A126 B
2	Seat Ring	Cast Bronze	ASTM B62
3	Wedge Seat Ring	Cast Bronze	ASTM B62
4	Wedge	Cast Iron	ASTM A126 B
5	Stem	Brass	ASTM B16
6	Body Gasket	Graphite	NON ASBESTOS
7	Bolts	Steel	ASTM A307 B
8	Nuts	Steel	ASTM A307 B
9	Bonnet	Cast Iron	ASTM A126 B
10	Packing	Graphite	NON ASBESTOS
11	Packing Gland	Cast Brass	ASTM B16
12	Gland Follower	Ductile Iron	ASTM A536
13	Bolts	Steel	ASTM A307 B
14	Nuts	Steel	ASTM A307 B
15	Wedge Nut	Cast Brass	ASTM B16
16	Screws	Steel	ASTM A307 B
17	Yoke Bushing Nut	Cast Iron	ASTM A126 B
18	Handwheel	Cast Iron	ASTM A126 B
19	Identification Plate	Aluminum	COMMERCIAL

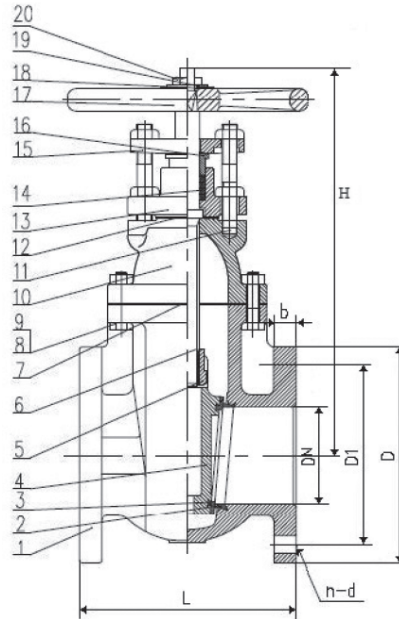
Iron Gate Valve Dimensions	Size DN	mm	51	63.5	76	102	127	152	203	254	305	356	406	457	508	610
		inch	2	2.5	3	4	5	6	8	10	12	14	16	18	20	24
L	mm	177.8	190.5	203.2	228.6	254.0	266.7	292.1	330.2	355.6	381.0	406.0	432.0	457.0	508.0	
	inch	7.00	7.50	8.00	9.00	10.00	10.50	11.50	13.00	14.00	15.00	15.98	17.01	17.99	20.00	
D	mm	152.0	178.0	191.0	229.0	254.0	279.0	343.0	406.0	483.0	533.0	597.0	635.0	699.0	813.0	
	inch	5.98	7.01	7.52	9.02	10.00	10.98	13.50	15.98	19.02	20.98	23.50	25.000	27.52	32.01	
D1	mm	120.7	139.7	152.4	190.5	215.9	241.3	298.5	362.0	431.8	476.3	539.8	577.9	635.0	749.3	
	inch	4.75	5.50	6.00	7.50	8.50	9.50	11.75	14.25	17.00	18.75	21.25	22.75	25.00	29.50	
b	mm	15.80	17.50	19.00	23.90	23.90	25.40	28.50	30.20	31.80	35.00	36.60	39.70	42.90	47.70	
	inch	0.62	0.69	0.75	0.94	0.94	1.00	1.12	1.19	1.25	1.38	1.44	1.56	1.69	1.88	
n-d	mm	4-19	4-19	4-19	8-19	8-22	8-22	8-22	8-22	12-25	12-25	12-29	16-29	16-32	20-32	20-35
	inch	4-0.75	4-0.75	4-0.75	8-0.75	8-0.875	8-0.875	8-0.875	8-0.875	12-1	12-1	12-1.125	16-1.125	16-1.25	20-1.25	20-1.375
Weight	lb	30.20	44.09	54.67	83.78	127.87	152.12	242.51	396.83	551.16	932.55	1139.79	1615.99	2023.84	2799.87	
	Kg	13.7	20.0	24.8	38.0	58.0	69.0	110.0	180.0	250.0	423.0	517.0	733.0	918.0	1270.0	

©2017 NCI Canada Inc., Oakville, ON, Canada. All rights reserved. The iron gate valve information and its contents hereof are proprietary to NCI Canada Inc. Any unauthorized reproduction or disclosure, in whole or in part is strictly prohibited. The iron gate valve material in this catalog / brochure is for general information and shall not be used for specific performance data and material selection without first consulting with NCI Canada Inc. NCI Canada reserves the right to change the enclosed iron gate valve information without notice. NCI Canada does not accept any liability or damages arising from the use of the iron gate valve information within this brochure. All trademarks and registered trademarks are owned by their respective companies.

The GTVB-FCI1333-HW is an NCI Canada class 125 rated (200 CWP) iron body gate valve with flanged ends. Our rising stem gate valves are bolted bonnet with a non-rising stem design. The GTVB-FCI1333-HW is a solid wedge iron body gate valve is bronze mounted meet MSS SP-70 standards.

Gate Valve Material Specifications

NO.	PART NAME	MATERIAL	MATERIAL STANDARD
1	Body	Cast Iron	ASTM A126 B
2	Seat Ring	Cast Bronze	ASTM B62
3	Wedge Seat Ring	Cast Bronze	ASTM B62
4	Wedge	Cast Iron	ASTM A126 B
5	Stem Nut	Cast Brass	ASTM B16
6	Stem	Brass	ASTM B16
7	Body Gasket	Graphite	NON ASBESTOS
8	Bolts	Steel	ASTM A307 B
9	Nuts	Steel	ASTM A307 B
10	Bonnet	Cast Iron	ASTM A126 B
11	Gland Follower Bolt	Steel	ASTM A307 B
12	Stuffing Box Gasket	Graphite	NON ASBESTOS
13	Stuffing Box	Cast Iron	ASTM A126 B
14	Packing	Graphite	NON ASBESTOS
15	Packing Gland	Cast Brass	ASTM B16
16	Gland Follower	Ductile Iron	ASTM A536
17	Handwheel	Cast Iron	ASTM A126 B
18	Identification Plate	Aluminum	COMMERCIAL
19	Washer	Steel	ASTM A307 B
20	Nut	Steel	ASTM A307 B



Valve Standard
Conforms to MSS SP-70

Flanged Ends
ANSI B16.1 Class 125

Working Pressure
125S, 200 WOG
2" - 12" 200 PSI
14" - 24" 150 PSI

Face to face Dimensions
Conforms to ANSI B16.10 (125 Lb)

Size DN	mm	51	63.5	76	102	127	152	203	254	305	356	406	457	508	610
	inch	2	2 ½	3	4	5	6	8	10	12	14	16	18	20	24
L	mm	177.8	190.5	203.2	228.6	254.0	266.7	292.1	330.2	355.6	381.0	406.0	432.0	457.0	508.0
	inch	7.00	7.50	8.00	9.00	10.00	10.50	11.50	13.00	14.00	15.00	15.98	17.01	17.99	20.00
D	mm	152.0	178.0	191.0	229.0	254.0	279.0	343.0	406.0	483.0	533.0	597.0	635.0	699.0	813.0
	inch	5.98	7.01	7.52	9.02	10.00	10.98	13.50	15.98	19.02	20.98	23.50	25.00	27.52	32.01
D1	mm	120.70	139.70	152.40	190.50	215.90	241.30	298.50	362.00	431.80	476.30	539.80	577.90	635.00	749.30
	inch	4.75	5.50	6.00	7.50	8.50	9.50	11.75	14.25	17.00	18.75	21.25	22.75	25.00	29.50
b	mm	15.80	17.50	19.00	23.90	23.90	25.40	28.50	30.20	31.80	35.00	36.60	39.70	42.90	47.70
	inch	0.62	0.69	0.75	0.94	0.94	1.00	1.12	1.19	1.25	1.38	1.44	1.56	1.69	1.88
n-d	mm	4-19	4-19	4-19	8-19	8-22	8-22	8-22	12-25	12-25	12-29	16-29	16-32	20-32	20-35
	inch	4-0.75	4-0.75	4-0.75	8-0.75	8-0.875	8-0.875	8-0.875	12-1	12-1	12-1.125	16-1.125	16-1.25	20-1.25	20-1.375
Weight	lb	30.42	41.45	49.38	84.22	133.16	155.43	224.87	372.58	473.99	828.94	1018.53	1549.85	1990.77	2469.17
	Kg	13.8	18.8	22.4	38.2	60.4	70.5	102.0	169.0	215.0	376.0	462.0	703.0	903.0	1120.0

Iron Gate Valve Dimensions

©2017 NCI Canada Inc., Oakville, ON, Canada. All rights reserved. The iron gate valve information and its contents hereof are proprietary to NCI Canada Inc. Any unauthorized reproduction or disclosure, in whole or in part is strictly prohibited. The iron gate valve material in this catalog / brochure is for general information and shall not be used for specific performance data and material selection without first consulting with NCI Canada Inc. NCI Canada reserves the right to change the enclosed iron gate valve information without notice. NCI Canada does not accept any liability or damages arising from the use of the iron gate valve information within this brochure. All trademarks and registered trademarks are owned by their respective companies.

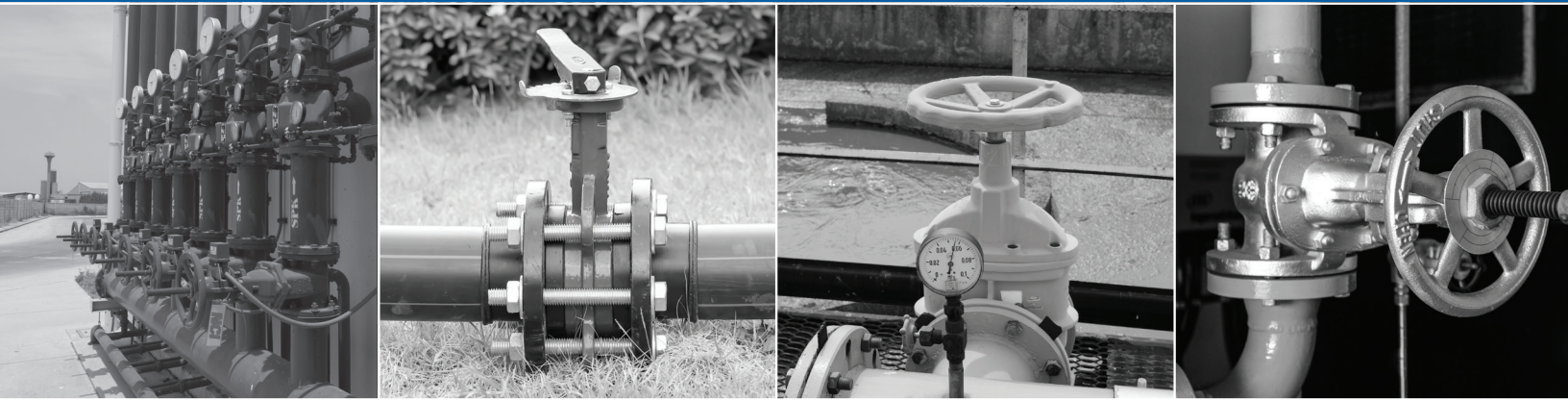
Located in the greater Toronto area, NCI Canada Inc. is an innovative, privately owned company that specializes in the development, manufacturing and distribution of high quality pipe, valves and fittings (PVF). With over 20 years of industry experience, we are recognized as one of Canada's leading master distributors of pipe, valves and fittings and are proud to service wholesale, retail and OEM customers.

All NCI Canada pipe, valves and fittings are sold and supported through its network of authorized distributors and warehouses across Canada. NCI Canada stocks over 25,000 products within 150,000 sq feet of warehouses in both central and western Canada. With a large selection of pipe, valves and fittings products, we service the commercial construction, fire protection, HVAC, irrigation, pulp & paper, mining, water & waste management, oil & gas, and power generation industries.

Our success in the pipe, valves and fittings industry is attributed primarily to our customer-centric team of sales personnel, service engineers and trained service staff that are collectively committed to providing quality products at a service and price you would come to expect.

Continuing in the tradition of developing high quality PVF products, NCI Canada is proud to introduce its newest line of iron gate valves. This new line of iron gate valves are engineered and manufactured to withstand the harshest of operating conditions and service environments. Valves range in size from 2" to 24" in diameter and meet MSS, ASME, ANSI, ASTM standards and are CRN registered across all Canadian provinces.

Contact NCI Canada today and discover the many ways we can help you and your organization with your pipes, valves and fittings and iron gate valve needs.



For more information visit us at NCICanada.com

©2017 NCI Canada Inc., Oakville, ON, Canada. All rights reserved. The iron gate valve information and its contents hereof are proprietary to NCI Canada Inc. Any unauthorized reproduction or disclosure, in whole or in part is strictly prohibited. The iron gate valve material in this catalog / brochure is for general information and shall not be used for specific performance data and material selection without first consulting with NCI Canada Inc. NCI Canada reserves the right to change the enclosed iron gate valve information without notice. NCI Canada does not accept any liability or damages arising from the use of the iron gate valve information within this brochure. All trademarks and registered trademarks are owned by their respective companies.



Headquarters and Central Warehouse

Address: 2305 Wyecroft Road
Oakville, Ontario
Canada L6L 6R2

Local Tel: (905) 727-5545
Toll-Free: (800) 268-3509
Fax: (905) 727-4088

Web: www.ncicanada.com
Email: sales@ncicanada.com