

COMMERCIAL CONSTRUCTION | FIRE PROTECTION | HVAC | IRRIGATION  
MINING | WATER & WASTE MANAGEMENT | OIL & GAS | POWER GENERATION

When **QUALITY,**  
**SERVICE** and **PRICE**  
**MATTER MOST!**



# BUTTERFLY VALVES

GATE VALVES | GLOBE VALVES | CHECK VALVES | BUTTERFLY VALVES



Located in the greater Toronto area, NCI Canada Inc. is an innovative, privately owned company that specializes in the development, manufacturing and distribution of high quality pipe, valves and fittings (PVF). With over 20 years of industry experience, we are recognized as one of Canada's leading master distributors of pipe, valves and fittings and are proud to service wholesale, retail and OEM customers.

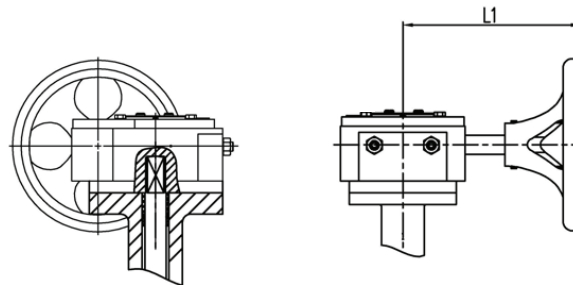
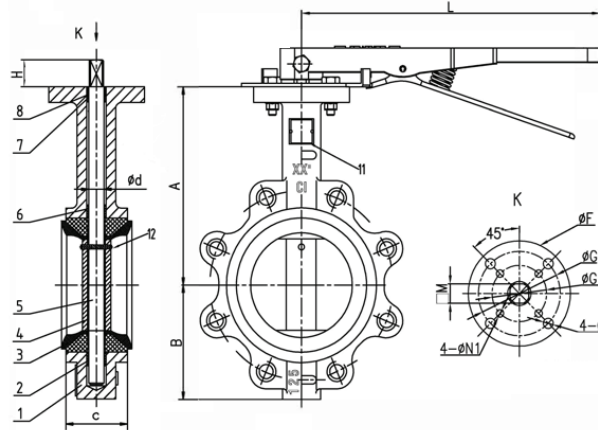


VISIT US ONLINE TODAY AT  
[NCICanada.com](http://NCICanada.com)

# LUG BUTTERFLY VALVES

## Cast Iron Body Lug Style - Flanged Ends

NCI Canada's 200 PSI cast iron body lug butterfly valves are manufactured with a 316 stainless steel disc and a 416 stainless steel stem. They are lever operated (2" - 8") and gear operated (6" - 12"). All NCI Canada's butterfly valves meet MSS-SP67 standards.



Gear box

### Lug Butterfly Valve Material Specifications

NO.	PART NAME	QTY	MATERIAL STANDARD
1	Body	1	ASTM A126 B
2	Lower Bushing	1	PTFE
3	Seat Ring	1	EPDM
4	Disc	1	ASTM A351 CF8M
5	Stem	1	ASTM A582 TYPE 416
6	Bushing I	1	PTPE
7	Bushing II	2	PTFE
8	O-Ring	1	NBR
11	Name Plate	1	SS304
12	Pin	1	ASTM A276 TYPE SS316

**Valve Standard**  
Conforms to MSS SP-67

**Working Pressure**  
200 WOG

**Flanged Drilling**  
ANSI B16.1 Class 125

**Face to Face Standard**  
MSS-SP-67-W1/W2

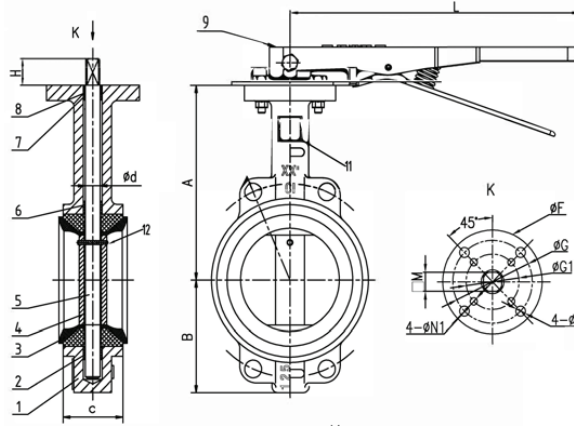
### Lug Butterfly Valve Dimensions

Size	A	B	C	H	øF	øG	4-øN	øG1	4-øN1	ød	M	L	L1	Weight (Lever Operated) Lb Kg	Weight (Gear Operated) Lb Kg		
2"	6.34	3.15	1.69	1.26	3.62	2.76	0.39	1.97	0.28	0.50	0.43	10.28	6.02	9.26	4.20	16.976	7.70
2.5"	6.89	3.50	1.81	1.26	3.62	2.76	0.39	1.97	0.28	0.50	0.43	10.28	6.02	11.07	5.02	18.67	8.47
3"	7.13	3.74	1.81	1.26	3.62	2.76	0.39	1.97	0.28	0.50	0.43	10.28	6.02	11.93	5.41	19.423	8.81
4"	7.87	4.49	2.05	1.26	3.62	2.76	0.39	1.97	0.28	0.62	0.55	10.28	6.02	18.56	8.42	26.01	11.80
5"	8.39	5.00	2.20	1.26	4.92	4.02	0.47	2.76	0.39	0.74	0.55	14.33	9.25	23.70	10.75	38.691	17.55
6"	8.9	5.51	2.20	1.26	5.91	4.92	0.55	4.02	0.47	0.74	0.67	14.33	9.25	31.92	14.48	47.64	21.61
8"	10.24	6.89	2.36	3.31	5.91	4.92	0.55	4.02	0.47	0.87	0.87	14.33	9.25	43.52	19.74	57.98	26.30
10"	11.5	8.66	2.68	3.31	6.89	5.51	0.71	4.92	0.55	1.12	0.87	21.26	9.25	50.38	22.85	73.19	33.20
12"	13.27	10.04	3.07	3.35	6.89	5.51	0.71	4.92	0.55	1.24	0.87	21.26	9.09	80.91	36.70	101.41	46.00
14"	14.49	10.55	3.07	3.35	6.89	5.51	0.71	4.92	0.55	1.24	0.94		10.91			167.55	76.00
16"	15.75	12.52	4.02	4.92	6.89	5.51	0.71	4.92	0.55	1.31	1.06		9.57			244.71	111.00
18"	16.61	14.37	4.49	4.92	6.89	5.51	0.71	4.92	0.55	1.49	1.06		9.57			295.42	134.00
20"	18.86	14.09	5.00	4.92	6.89	5.51	0.71	4.92	0.55	1.62	1.26		9.57			348.33	158.00
24"	22.13	19.29	6.06	5.39	8.27	6.50	0.87	5.51	0.71	1.99	1.42		11.65			606.27	275.00

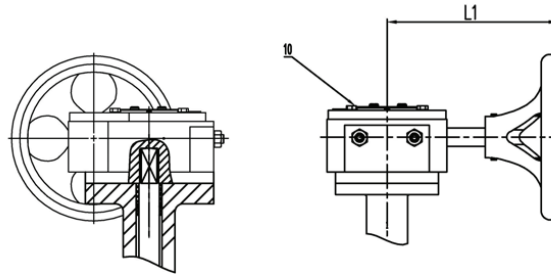
©2017 NCI Canada Inc., Oakville, ON, Canada. All rights reserved. The iron butterfly valve information and its contents hereof are proprietary to NCI Canada Inc. Any unauthorized reproduction or disclosure, in whole or in part is strictly prohibited. The iron butterfly valve material in this catalog / brochure is for general information and shall not be used for specific performance data and material selection without first consulting with NCI Canada Inc. NCI Canada reserves the right to change the enclosed iron butterfly valve information without notice. NCI Canada does not accept any liability or damages arising from the use of the iron butterfly valve information within this brochure. All trademarks and registered trademarks are owned by their respective companies.

NCI Canada's 200 PSI cast iron body wafer butterfly valves are manufactured with a 316 stainless steel disc and a 416 stainless steel stem. They are lever operated (2" - 8") and gear operated (6" - 12"). All NCI Canada's butterfly valves meet MSS-SP67 standards.

Wafer Butterfly Valve Material Specifications			
NO.	PART NAME	QTY	MATERIAL STANDARD
1	Body	1	ASTM A126 B
2	Lower Bushing	1	PTFE
3	Seat Ring	1	EPDM
4	Disc	1	ASTM A351 CF8M
5	Stem	1	ASTM A582 TYPE 416
6	Bushing I	1	PTPE
7	Bushing II	2	PTFE
8	O-Ring	1	NBR
11	Name Plate	1	SS304
12	Pin	1	ASTM A276 TYPE SS316



Lever Handle



Gear box



Gear Operator

**Valve Standard**  
Conforms to MSS SP-67

**Working Pressure**  
200 WOG

**Flanged Drilling**  
ANSI B16.1 Class 125

**Face to Face Standard**  
MSS-SP-67-W1/W2

Size	A	B	C	H	ØF	ØG	4-ØN1	ØG1	4-ØN1	Ød	M	L	L1	Weight (Lever Operated) Lb Kg		Weight (Gear Operated) Lb Kg		Wafer Butterfly Valve Dimensions
														Lb	Kg	Lb	Kg	
2"	6.34	3.15	1.69	1.26	3.62	2.76	0.39	1.97	0.28	0.50	0.43	10.28	6.02	7.65	3.47	15.15	6.87	
2.5"	6.89	3.50	1.81	1.26	3.62	2.76	0.39	1.97	0.28	0.50	0.43	10.28	6.02	9.63	4.37	17.42	7.90	
3"	7.13	3.74	1.81	1.26	3.62	2.76	0.39	1.97	0.28	0.50	0.43	10.28	6.02	10.38	4.71	17.86	8.10	
4"	7.87	4.49	2.05	1.26	3.62	2.76	0.39	1.97	0.28	0.62	0.55	10.28	6.02	12.61	5.72	20.13	9.13	
5"	8.39	5.00	2.20	1.26	4.92	4.02	0.47	2.76	0.39	0.74	0.55	14.33	9.25	21.45	9.73	25.79	11.70	
6"	8.90	5.51	2.20	1.26	5.91	4.92	0.55	4.02	0.47	0.74	0.67	14.33	9.25	24.87	11.28	27.89	12.65	
8"	10.24	6.89	2.36	3.31	5.91	4.92	0.55	4.02	0.47	0.87	0.87	14.33	9.25	35.41	16.06	42.11	19.10	
10"	11.50	8.66	2.68	3.31	6.89	5.51	0.71	4.92	0.55	1.12	0.87	21.26	9.25	44.31	20.10	65.70	29.80	
12"	13.27	10.04	3.07	3.35	6.89	5.51	0.71	4.92	0.55	1.24	0.87	21.26	9.09	72.31	32.80	94.36	42.80	
14"	14.49	10.55	3.07	3.35	6.89	5.51	0.71	4.92	0.55	1.24	0.94		10.91			145.50	66.00	
16"	15.75	12.52	4.02	4.92	6.89	5.51	0.71	4.92	0.55	1.31	1.06		9.57			169.76	77.00	
18"	16.61	14.37	4.49	4.92	6.89	5.51	0.71	4.92	0.55	1.49	1.06		9.57			227.08	103.00	
20"	18.86	14.09	5.00	4.92	6.89	5.51	0.71	4.92	0.55	1.62	1.26		9.57			268.96	122.00	
24"	22.13	19.29	6.06	5.39	8.27	6.50	0.87	5.51	0.71	1.99	1.42		11.65			485.02	220.00	

©2017 NCI Canada Inc., Oakville, ON, Canada. All rights reserved. The iron butterfly valve information and its contents hereof are proprietary to NCI Canada Inc. Any unauthorized reproduction or disclosure, in whole or in part is strictly prohibited. The iron butterfly valve material in this catalog / brochure is for general information and shall not be used for specific performance data and material selection without first consulting with NCI Canada Inc. NCI Canada reserves the right to change the enclosed iron butterfly valve information without notice. NCI Canada does not accept any liability or damages arising from the use of the iron butterfly valve information within this brochure. All trademarks and registered trademarks are owned by their respective companies.



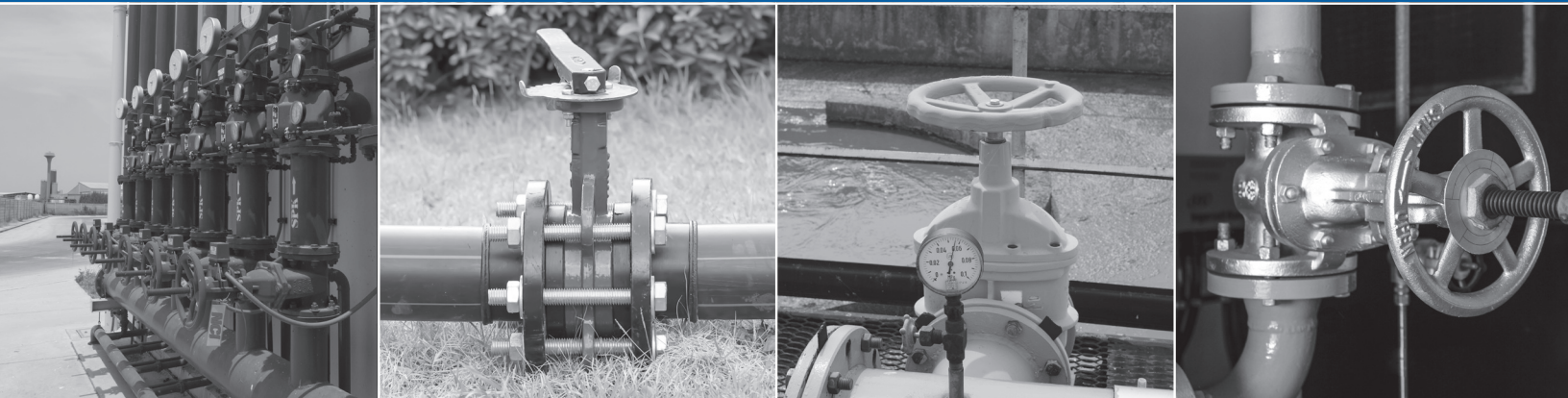
Located in the greater Toronto area, NCI Canada Inc. is an innovative, privately owned company that specializes in the development, manufacturing and distribution of high quality pipe, valves and fittings (PVF). With over 20 years of industry experience, we are recognized as one of Canada's leading master distributors of pipe, valves and fittings and are proud to service wholesale, retail and OEM customers.

All NCI Canada pipe, valves and fittings are sold and supported through its network of authorized distributors and warehouses across Canada. NCI Canada stocks over 25,000 products within 150,000 sq feet of warehouses in both central and western Canada. With a large selection of pipe, valves and fittings products, we service the commercial construction, fire protection, HVAC, irrigation, pulp & paper, mining, water & waste management, oil & gas, and power generation industries.

Our success in the pipe, valves and fittings industry is attributed primarily to our customer-centric team of sales personnel, service engineers and trained service staff that are collectively committed to providing quality products at a service and price you would come to expect.

Continuing in the tradition of developing high quality PVF products, NCI Canada is proud to introduce its newest line of iron butterfly valves. This new line of iron butterfly valves are engineered and manufactured to withstand the harshest of operating conditions and service environments. Valves range in size from 2" to 24" in diameter and meet MSS, ASME, ANSI, ASTM standards and are CRN registered across all Canadian provinces.

Contact NCI Canada today and discover the many ways we can help you and your organization with your pipes, valves and fittings and iron gate valve needs.



For more information visit us at [NCICanada.com](http://NCICanada.com)

©2017 NCI Canada Inc., Oakville, ON, Canada. All rights reserved. The iron butterfly valve information and its contents hereof are proprietary to NCI Canada Inc. Any unauthorized reproduction or disclosure, in whole or in part is strictly prohibited. The iron butterfly valve material in this catalog / brochure is for general information and shall not be used for specific performance data and material selection without first consulting with NCI Canada Inc. NCI Canada reserves the right to change the enclosed iron butterfly valve information without notice. NCI Canada does not accept any liability or damages arising from the use of the iron butterfly valve information within this brochure. All trademarks and registered trademarks are owned by their respective companies.



#### Headquarters and Central Warehouse

**Address:** 2305 Wyecroft Road  
Oakville, Ontario  
Canada L6L 6R2

**Local Tel:** (905) 727-5545  
**Toll-Free:** (800) 268-3509  
**Fax:** (905) 727-4088

**Web:** [www.ncicanada.com](http://www.ncicanada.com)  
**Email:** [sales@ncicanada.com](mailto:sales@ncicanada.com)