










Section 12

Double-See™ Vinyl Double Containment Piping System



Double-See™ Vinyl Double Containment System Specification

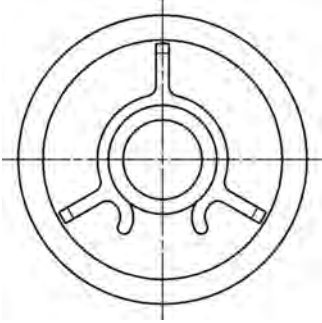
	PVC Schedule 80	CPVC Schedule 80	PVC Schedule 40
Material			
Cell classification	12454	23447	14353
Color	Dark gray	Light gray	Clear
Specific Gravity (g/cc3 @ 73°F)	1.40	1.51	1.32
Linear expansion coefficient (in/in °F)	2.8×10^{-5}	3.4×10^{-5}	4.1×10^{-5}
Tensile Strength @ yield (psi @ 73°F)	7,200	7,550	6,500
Modules of Elasticity Tensile (psi @ 73°F)	430,000	375,000	334,000
Heat Distortion Temperature (°F @ 264 psi)	158	230	157
Flammability (UL94)	V-0	V-0	V-0
Dimension			
Primary	½"–6"	½"–6"	n/a
Secondary	2"–10"	2"–10"	2"–10"
Pressure Rating			
Primary	varies by size	varies by size	n/a
Secondary	up to 50 psi	up to 50 psi	up to 50 psi
Temperature Rating			
	32°F–140°F (0°C–60°C)	32°F–200°F (0°C–93°C)	32°F–140°F (0°C–60°C)
Testing and Inspection		Visual Inspection Dimensional Tolerance Pressure Testing	
Material & Product Approvals/Conformance		NSF/ANSI 14 & 61 ASTM D1784 ASTM D1785 ASTM D2467 ASTM F441 ASTM F439	
Joining Technology		Solvent Cement	
Packing		Pipe in lifts/boxes Fittings in bulk boxes	
Labeling		Brand Name Product Description Code Number Material Dimension Approvals	
Main Applications		Double-See is suitable for a wide range of applications including water and waste water treatment, chemical delivery, dosing and processing, microelectronics, life sciences, metal working/finishing, waste collection, and many others.	
Additional features		Custom fabrications and pipe spooling available	

	Pipes	118
	Elbows	126
	Tees	130
	45° Wye	142
	Sump	143
	Closure Couplings	145
	Terminations	146
	Valves	148
	Leak Detection	155
	Accessories	156

Pipes

A

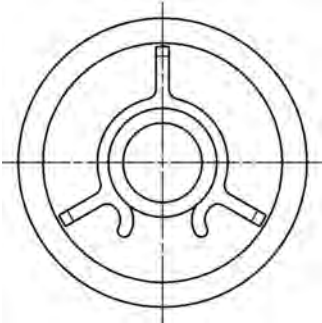
Pipe, PVC 80 x PVC 80 (20-ft lengths)



Size (inch)	Part No.	USD
1/2 x 2	* 8808005020AB	38.03
3/4 x 3	* 8808007030AB	45.18
1 x 3	* 8808010030AB	53.47
1-1/2 x 4	* 8808015040AB	63.01
2 x 4	* 8808020040AB	73.68
3 x 6	* 8808030060AB	87.98
4 x 8	* 8808040080AB	103.63
6 x 10	* 8808060100AB	155.44

A

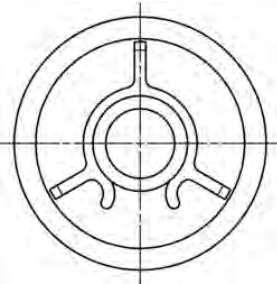
Pipe, PVC 80 x PVC 40 (20-ft lengths)



Size (inch)	Part No.	USD
1/2 x 2	* 8408005020AB	24.97
3/4 x 3	* 8408007030AB	29.74
1 x 3	* 8408010030AB	34.51
1-1/2 x 4	* 8408015040AB	40.41
2 x 4	* 8408020040AB	47.56
3 x 6	* 8408030060AB	57.10
4 x 8	* 8408040080AB	66.53
6 x 10	* 8408060100AB	99.79

A

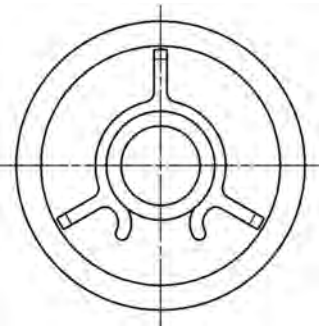
Pipe, PVC 80 x CPVC 80 (20-ft lengths)



Size (inch)	Part No.	USD
1/2 x 2	* 8908005020AB	49.95
3/4 x 3	* 8908007030AB	59.48
1 x 3	* 8908010030AB	70.16
1-1/2 x 4	* 8908015040AB	83.32
2 x 4	* 8908020040AB	96.48
3 x 6	* 8908030060AB	113.99
4 x 8	* 8908040080AB	132.64
6 x 10	* 8908060100AB	243.52

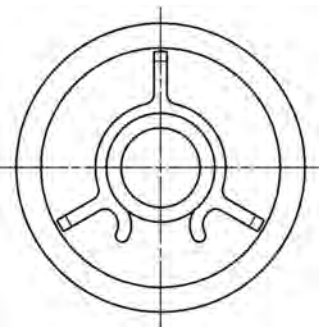
Pipe, PVC 80 x CPVC 40 (20-ft lengths)

Size 6 x 10 supplied in 10 foot lengths



Size (inch)	Part No.	USD
1/2 x 2	8608005020AB	35.33
3/4 x 3	8608007030AB	42.06
1 x 3	8608010030AB	49.62
1-1/2 x 4	8608015040AB	58.85
2 x 4	8608020040AB	68.08
3 x 6	8608030060AB	79.88
4 x 8	8608040080AB	93.07
6 x 10	8608060100AB	181.02

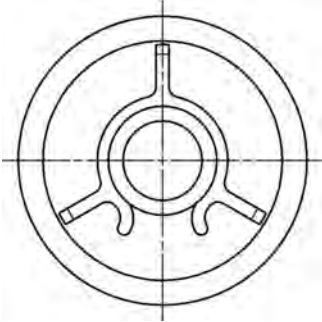
Pipe, PVC 80 x PVC 80 Clear (20-ft lengths)



Size (inch)	Part No.	USD
1/2 x 2	8708005020AB	53.70
3/4 x 3	8708007030AB	62.33
1 x 3	8708010030AB	73.01
1-1/2 x 4	8708015040AB	87.75
2 x 4	8708020040AB	101.89
3 x 6	8708030060AB	121.63

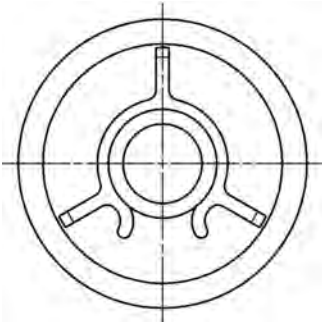
A

Pipe, PVC 80 x PVC 40 Clear (20-ft lengths)



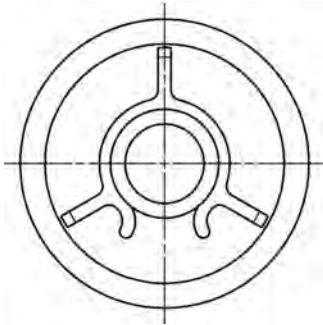
Size (inch)	Part No.	USD
1/2 x 2	* 8308005020AB	40.41
3/4 x 3	* 8308007030AB	47.56
1 x 3	* 8308010030AB	55.85
1-1/2 x 4	* 8308015040AB	65.39
2 x 4	* 8308020040AB	77.20
3 x 6	* 8308030060AB	91.50
4 x 8	* 8308040080AB	107.77
6 x 10	* 8308060100AB	190.67

Pipe, PVC 40 x PVC 40 White (20-ft lengths)



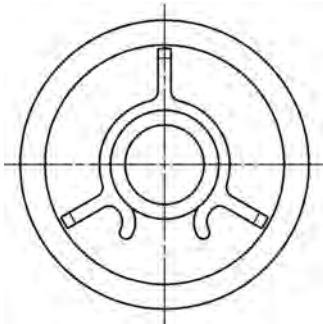
Size (inch)	Part No.	USD
1/2 x 2	4408005020AB	22.48
3/4 x 3	4408007030AB	26.77
1 x 3	4408010030AB	31.06
1-1/2 x 4	4408015040AB	36.37
2 x 4	4408020040AB	42.81
3 x 6	4408030060AB	51.39
4 x 8	4408040080AB	59.88
6 x 10	4408060100AB	89.81

Pipe, PVC 80 Clear x PVC 40 Clear (20-ft lengths)



Size (inch)	Part No.	USD
1/2 x 2	7308005020AB	Call
3/4 x 3	7308007030AB	Call
1 x 3	7308010030AB	Call
1-1/2 x 4	7308015040AB	Call
2 x 4	7308020040AB	Call
3 x 6	7308030060AB	Call
4 x 8	7308040080AB	Call
6 x 10	7308060100AB	Call

Pipe, PVC 40 Clear x PVC 40 Clear (20-ft lengths)



Size (inch)	Part No.	USD
1/2 x 2	3308005020AB	Call
3/4 x 3	3308007030AB	Call
1 x 3	3308010030AB	Call
1-1/2 x 4	3308015040AB	Call
2 x 4	3308020040AB	Call
3 x 6	3308030060AB	Call
4 x 8	3308040080AB	Call
6 x 10	3308060100AB	Call

A

Pipe, CPVC 80 x PVC 80 (20-ft lengths)



Size (inch)	Part No.	USD
1/2 x 2	* 9808005020AB	44.04
3/4 x 3	* 9808007030AB	52.33
1 x 3	* 9808010030AB	61.87
1-1/2 x 4	* 9808015040AB	73.68
2 x 4	* 9808020040AB	85.60
3 x 6	* 9808030060AB	102.18
4 x 8	* 9808040080AB	119.17
6 x 10	* 9808060100AB	178.24

A

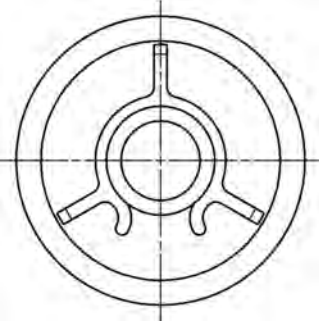
Pipe, CPVC 80 x PVC 40 (20-ft lengths)



Size (inch)	Part No.	USD
1/2 x 2	* 9408005020AB	29.74
3/4 x 3	* 9408007030AB	34.51
1 x 3	* 9408010030AB	40.41
1-1/2 x 4	* 9408015040AB	47.56
2 x 4	* 9408020040AB	55.85
3 x 6	* 9408030060AB	66.53
4 x 8	* 9408040080AB	77.20
6 x 10	* 9408060100AB	116.06

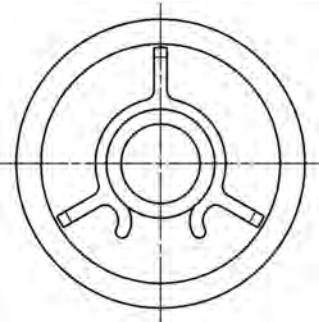
A

Pipe, CPVC 80 x CPVC 80 (20-ft lengths)



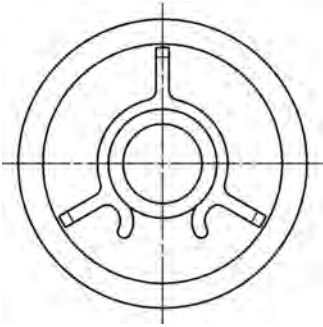
Size (inch)	Part No.	USD
1/2 x 2	*9908005020AB	49.95
3/4 x 3	*9908007030AB	59.48
1 x 3	*9908010030AB	70.16
1-1/2 x 4	*9908015040AB	83.21
2 x 4	*9908020040AB	96.27
3 x 6	*9908030060AB	112.95
4 x 8	*9908040080AB	131.61
6 x 10	*9908060100AB	255.96

Pipe, CPVC 80 x CPVC 40 (20-ft lengths)



Size (inch)	Part No.	USD
1/2 x 2	9608005020AB	39.96
3/4 x 3	9608007030AB	47.59
1 x 3	9608010030AB	56.12
1-1/2 x 4	9608015040AB	66.57
2 x 4	9608020040AB	77.02
3 x 6	9608030060AB	90.36
4 x 8	9608040080AB	105.28
6 x 10	9608060100AB	204.77

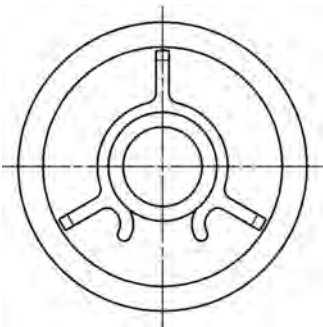
Pipe, CPVC 80 x PVC 80 Clear (20-ft lengths)



Size (inch)	Part No.	USD
1/2 x 2	9708005020AB	67.67
3/4 x 3	9708007030AB	78.55
1 x 3	9708010030AB	93.78
1-1/2 x 4	9708015040AB	110.57
2 x 4	9708020040AB	128.39
3 x 6	9708030060AB	153.26

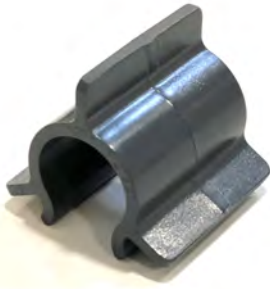
A

Pipe, CPVC 80 x PVC 40 Clear (20-ft lengths)



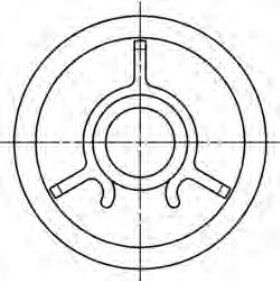
Size (inch)	Part No.	USD
1/2 x 2	* 9308005020AB	42.80
3/4 x 3	* 9308007030AB	49.95
1 x 3	* 9308010030AB	58.24
1-1/2 x 4	* 9308015040AB	68.91
2 x 4	* 9308020040AB	80.83
3 x 6	* 9308030060AB	98.65
4 x 8	* 9308040080AB	119.17
6 x 10	* 9308060100AB	208.29

Pipe Centralizer - Sch40 Containment

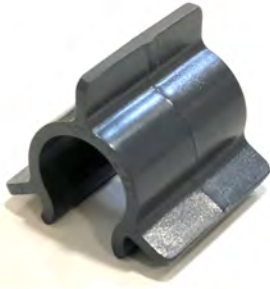


- For IPS size PVC or CPVC only
- Fits carrier (inner) Sch40 or Sch80 pipe, and containment (outer) Sch40 pipe only
- Only for use with GF Double-See pipe and fitting system. Consult GF Piping Systems for installation and spacing recommendations.

Size (inch)	Part No.	USD	Pack Qty	Centralizers Per 20 ft
1/2 x 2	898 005 020	7.25	10	7
3/4 x 3	898 007 030	9.33	10	7
1 x 3	898 010 030	9.33	10	6
1-1/2 x 4	898 015 040	14.51	10	6
2 x 4	898 020 040	14.51	10	5
3 x 6	898 030 060	18.65	5	5
4 x 8	898 040 080	21.76	5	4
6 x 10	898 060 100	26.94	5	4

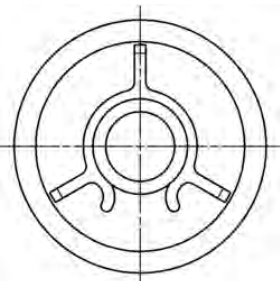


Pipe Centralizer - Sch80 Containment



- For IPS size PVC or CPVC only
- Fits carrier (inner) Sch40 or Sch80 pipe, and containment (outer) Sch80 pipe only
- Only for use with GF Double-See pipe and fitting system. Consult GF Piping Systems for installation and spacing recommendations.

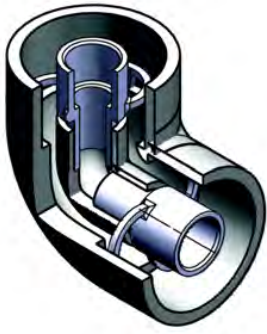
Size (inch)	Part No.	USD	Pack Qty	Centralizers Per 20 ft
1/2 x 2	899 005 020	7.25	10	7
3/4 x 3	899 007 030	9.33	10	7
1 x 3	899 010 030	9.33	10	6
1-1/2 x 4	899 015 040	14.51	10	6
2 x 4	899 020 040	14.51	10	5
3 x 6	899 030 060	18.65	5	5
4 x 8	899 040 080	21.76	5	4
6 x 10	899 060 100	26.94	5	4



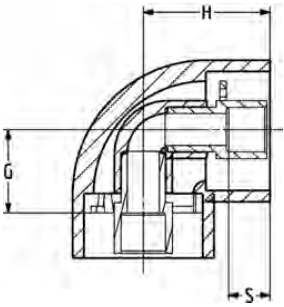
Elbows

A

90° Elbow, PVC 80 x CPVC 80



Size (inch)	Part No.	USD	G (inch)	H (inch)	S (inch)
1/2 x 2	8906005020	100.41	1.90	2.78	0.88
3/4 x 3	8906007030	170.98	2.75	3.75	1.00
1 x 3	8906010030	189.64	2.56	3.75	1.19
1 1/2 x 4	8906015040	320.21	3.20	4.60	1.40
2 x 4	8906020040	347.15	3.10	4.60	1.50
3 x 6	8906030060	633.16	4.80	6.70	1.90
4 x 8	8906040080	1,405.18	6.47	8.67	2.20
6 x 10	8906060100	3,666.32	7.77	10.77	3.00

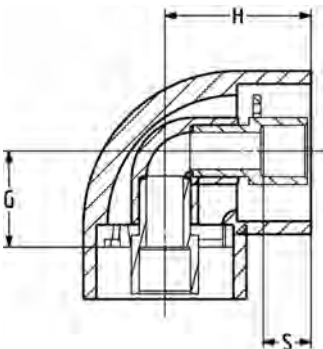


A

90° Elbow, PVC 80 x PVC 80



Size (inch)	Part No.	USD	G (inch)	H (inch)	S (inch)
1/2 x 2	8806005020	70.57	1.90	2.78	0.88
3/4 x 3	8806007030	101.04	2.75	3.75	1.00
1 x 3	8806010030	105.70	2.56	3.75	1.19
1-1/2 x 4	8806015040	143.01	3.20	4.60	1.40
2 x 4	8806020040	148.19	3.10	4.60	1.50
3 x 6	8806030060	364.77	4.80	6.70	1.90
4 x 8	8806040080	706.74	6.47	8.67	2.20
6 x 10	8806060100	2,577.20	7.77	10.77	3.00

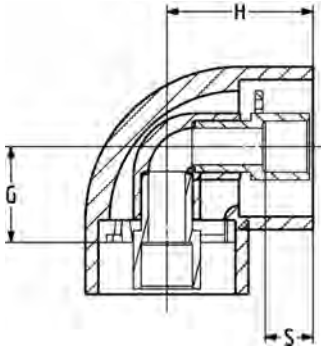


A

90° Elbow, CPVC 80 x PVC 80



Size (inch)	Part No.	USD	G (inch)	H (inch)	S (inch)
1/2 x 2	9806005020	74.92	1.90	2.78	0.88
3/4 x 3	9806007030	107.77	2.75	3.75	1.00
1 x 3	9806010030	137.82	2.56	3.75	1.19
1-1/2 x 4	9806015040	189.64	3.20	4.60	1.40
2 x 4	9806020040	223.83	3.10	4.60	1.50
3 x 6	9806030060	498.45	4.80	6.70	1.90
4 x 8	9806040080	936.79	6.47	8.67	2.20
6 x 10	9806060100	3,043.52	7.77	10.77	3.00

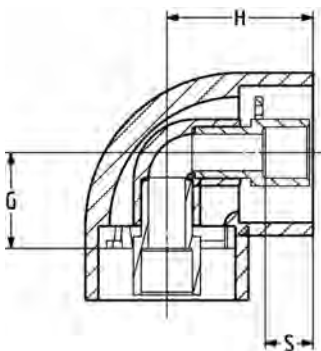


A

90° Elbow, CPVC 80 x CPVC 80



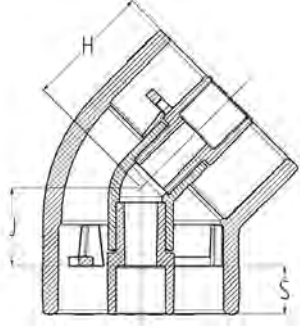
Size (inch)	Part No.	USD	G (inch)	H (inch)	S (inch)
1/2 x 2	9906005020	105.70	1.90	2.78	0.88
3/4 x 3	9906007030	185.49	2.75	3.75	1.00
1 x 3	9906010030	198.96	2.56	3.75	1.19
1-1/2 x 4	9906015040	350.26	3.19	4.59	1.40
2 x 4	9906020040	374.09	3.09	4.59	1.50
3 x 6	9906030060	651.81	4.80	6.70	1.90
4 x 8	9906040080	1,504.66	6.32	8.52	2.20
6 x 10	9906060100	3,726.42	7.70	10.70	3.00



A

45° Elbow, PVC 80 x CPVC 80

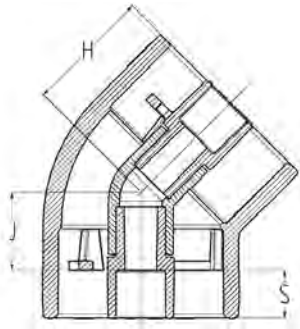
Size (inch)	Part No.	USD	J (inch)	H (inch)	S (inch)
1/2 x 2	8917005020	110.88	1.29	2.16	0.87
3/4 x 3	8917007030	195.85	1.66	2.66	1.00
1 x 3	8917010030	211.40	1.52	2.66	1.14
1 1/2 x 4	8917015040	292.23	1.91	3.24	1.33
2 x 4	8917020040	323.32	1.74	3.24	1.50
3 x 6	8917030060	722.28	3.01	4.81	1.80
4 x 8	8917040080	1,421.76	4.02	6.11	2.20
6 x 10	8917060100	3,573.06	4.77	7.50	3.00



A

45° Elbow, PVC 80 x PVC 80

Size (inch)	Part No.	USD	J (inch)	H (inch)	S (inch)
1/2 x 2	8817005020	94.30	1.29	2.16	0.87
3/4 x 3	8817007030	158.55	1.66	2.66	1.00
1 x 3	8817010030	172.02	1.52	2.66	1.14
1-1/2 x 4	8817015040	259.07	1.91	3.24	1.33
2 x 4	8817020040	269.43	1.74	3.24	1.50
3 x 6	8817030060	448.70	3.01	4.81	1.80
4 x 8	8817040080	782.38	4.02	6.11	2.20
6 x 10	8817060100	1,919.17	4.77	7.50	3.00

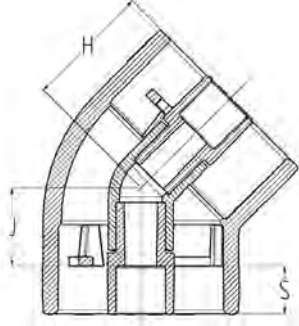


A

45° Elbow, CPVC 80 x PVC 80



Size (inch)	Part No.	USD	J (inch)	H (inch)	S (inch)
1/2 x 2	9817005020	96.68	1.29	2.16	0.87
3/4 x 3	9817007030	161.66	1.66	2.66	1.00
1 x 3	9817010030	177.20	1.52	2.66	1.14
1-1/2 x 4	9817015040	202.07	1.91	3.24	1.33
2 x 4	9817020040	233.16	1.74	3.24	1.50
3 x 6	9817030060	479.79	3.01	4.81	1.80
4 x 8	9817040080	874.61	4.02	6.11	2.20
6 x 10	9817060100	2,461.14	4.77	7.50	3.00

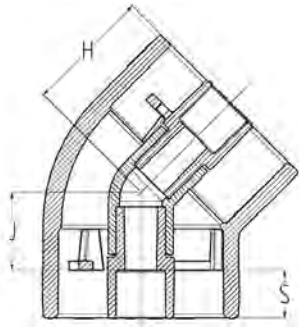


A

45° Elbow, CPVC 80 x CPVC 80



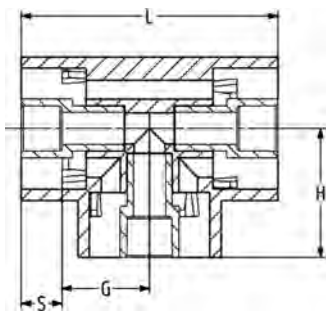
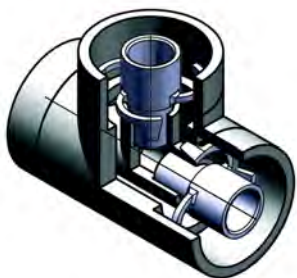
Size (inch)	Part No.	USD	J (inch)	H (inch)	S (inch)
1/2 x 2	9917005020	110.88	1.29	2.16	0.87
3/4 x 3	9917007030	198.96	1.66	2.66	1.00
1 x 3	9917010030	214.51	1.52	2.66	1.14
1-1/2 x 4	9917015040	309.84	1.91	3.24	1.33
2 x 4	9917020040	340.93	1.74	3.24	1.50
3 x 6	9917030060	774.09	3.01	4.81	1.80
4 x 8	9917040080	1,548.19	4.02	6.11	2.20
6 x 10	9917060100	3,801.04	4.77	7.50	3.00



Tees

A

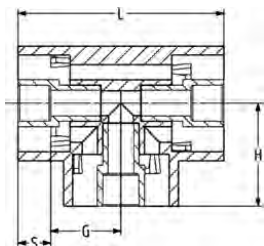
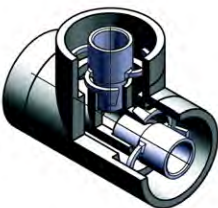
Tee, PVC 80 x PVC 80



Size (inch)	Part No.	USD	L (inch)	H (inch)	G (inch)	S (inch)
1/2 x 2	8801005020	133.68	5.56	2.78	1.90	0.88
3/4 x 3	8801007030	161.66	7.50	3.75	2.75	1.00
1 x 3	8801010030	164.77	7.50	3.75	2.56	1.19
1-1/2 x 4	8801015040	223.83	9.26	4.63	3.23	1.40
2 x 4	8801020040	368.91	9.26	4.63	3.13	1.50
3 x 6	8801030060	745.08	13.26	6.63	4.73	1.90
4 x 8	8801040080	1,539.90	17.40	8.70	6.50	2.20
6 x 10	8801060100	3,558.55	21.70	10.85	7.85	3.00

A

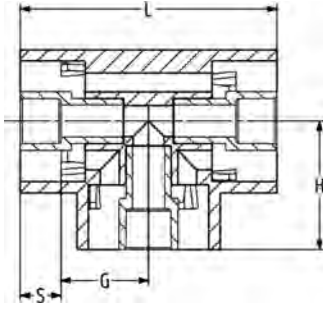
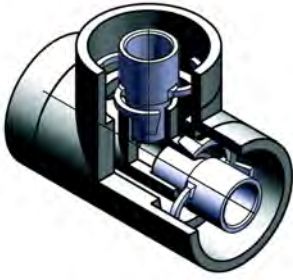
Tee, PVC 80 x CPVC 80



Size (inch)	Part No.	USD	L (inch)	H (inch)	G (inch)	S (inch)
1/2 x 2	8901005020	151.30	5.56	2.78	1.90	0.88
3/4 x 3	8901007030	237.31	7.50	3.75	2.75	1.00
1 x 3	8901010030	253.89	7.50	3.75	2.56	1.19
1 1/2 x 4	8901015040	368.91	9.26	4.63	3.23	1.40
2 x 4	8901020040	613.47	9.26	4.63	3.13	1.50
3 x 6	8901030060	1,149.22	13.26	6.63	4.73	1.90
4 x 8	8901040080	2,129.53	17.40	8.70	6.50	2.20
6 x 10	8901060100	4,269.43	21.70	10.85	7.85	3.00

A

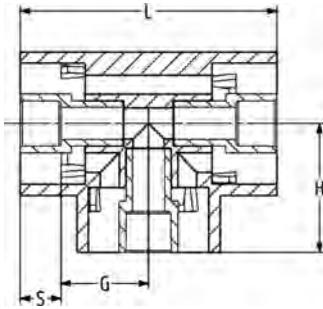
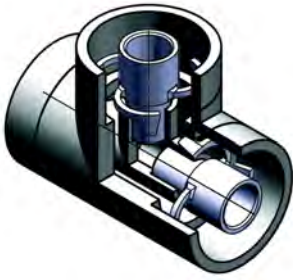
Tee, CPVC 80 x PVC 80



Size (inch)	Part No.	USD	L (inch)	H (inch)	G (inch)	S (inch)
1/2 x 2	9801005020	140.93	5.56	2.78	1.90	0.88
3/4 x 3	9801007030	170.98	7.50	3.75	2.75	1.00
1 x 3	9801010030	185.49	7.50	3.75	2.56	1.19
1-1/2 x 4	9801015040	268.39	9.26	4.63	3.23	1.40
2 x 4	9801020040	445.60	9.26	4.63	3.13	1.50
3 x 6	9801030060	894.30	13.26	6.63	4.73	1.90
4 x 8	9801040080	2,002.07	17.40	8.70	6.50	2.20
6 x 10	9801060100	4,269.43	21.70	10.85	7.85	3.00

A

Tee, CPVC 80 x CPVC 80



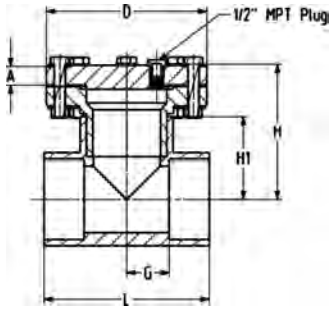
Size (inch)	Part No.	USD	L (inch)	H (inch)	G (inch)	S (inch)
1/2 x 2	9901005020	148.19	5.64	2.82	1.94	0.88
3/4 x 3	9901007030	249.74	7.50	3.75	2.75	1.00
1 x 3	9901010030	266.32	7.50	3.75	2.56	1.19
1-1/2 x 4	9901015040	387.56	9.26	4.63	3.23	1.40
2 x 4	9901020040	644.56	9.26	4.63	3.13	1.50
3 x 6	9901030060	1,188.60	13.06	6.53	4.63	1.90
4 x 8	9901040080	2,086.01	17.26	8.63	6.43	2.20
6 x 10	9901060100	4,098.45	22.50	11.25	8.25	3.00

A

Access Tee, PVC



Size (inch)	Part No.	USD	L (inch)	H1 (inch)	G (inch)	D (inch)	H (inch)	A (inch)
2	8801853020	197.93	5.56	2.78	1.29	6.00	4.93	0.92
3	8801853030	205.18	7.50	3.75	1.85	7.50	6.40	1.03
4	8801853040	309.84	9.26	4.63	2.38	9.00	7.75	1.35
6	8801853060	470.47	13.26	6.63	3.55	11.00	10.04	1.49
8	8801853080	639.38	17.40	8.70	4.59	13.50	13.07	1.63
10	8801853100	2,313.99	21.70	10.85	5.57	16.00	15.14	1.00

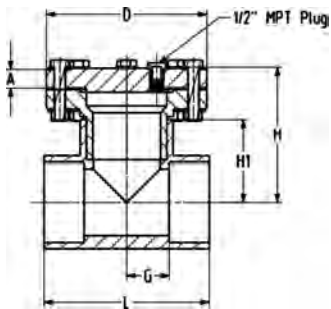


A

Access Tee, CPVC



Size (inch)	Part No.	USD	L (inch)	H1 (inch)	G (inch)	D (inch)	H (inch)	A (inch)
2	9801853020	238.34	5.64	2.82	1.32	6.00	4.96	0.92
3	9801853030	254.92	7.50	3.75	1.85	7.50	6.40	1.03
4	9801853040	376.17	9.26	4.63	2.38	9.00	7.75	1.35
6	9801853060	646.63	13.06	6.53	3.53	11.00	10.02	1.49
8	9801853080	1,126.42	17.26	8.63	4.59	13.50	13.07	1.63
10	9801853100	2,777.20	22.50	11.25	5.75	16.00	15.14	1.00

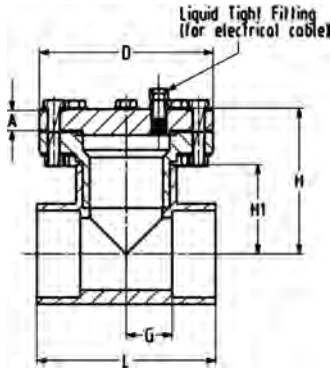


A

Access Tee (Liquid Tight), PVC



Size (inch)	Part No.	USD	L (inch)	H1 (inch)	G (inch)	D (inch)	H (inch)	A (inch)
2	8801853020LT	231.09	5.56	2.78	1.29	6.00	4.93	0.92
3	8801853030LT	238.34	7.50	3.75	1.85	7.50	6.40	1.03
4	8801853040LT	343.01	9.26	4.63	2.38	9.00	7.75	1.35
6	8801853060LT	503.63	13.26	6.63	3.55	11.00	10.04	1.49
8	8801853080lt	672.54	17.40	8.70	4.59	13.50	13.07	1.63
10	8801853100LT	2,345.08	21.70	10.85	5.75	16.00	15.14	1.00

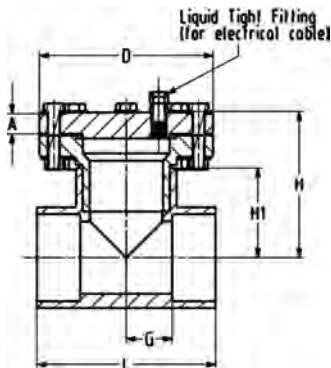


A

Access Tee (Liquid Tight), CPVC



Size (inch)	Part No.	USD	L (inch)	H1 (inch)	G (inch)	D (inch)	H (inch)	A (inch)
2	9801853020LT	273.58	5.64	2.82	1.32	6.00	4.96	0.92
3	9801853030LT	288.08	7.50	3.75	1.85	7.50	6.40	1.03
4	9801853040LT	409.33	9.26	4.63	2.38	9.00	7.75	1.35
6	9801853060LT	679.79	13.06	6.53	3.53	11.00	10.02	1.49
8	9801853080LT	1,159.59	17.26	8.63	4.59	13.50	13.07	1.63
10	9801853100LT	3,193.78	22.50	11.25	5.75	16.00	15.14	1.00



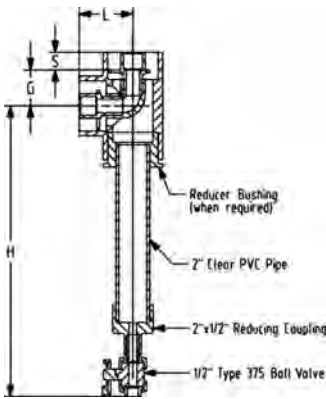
A

90° Low Point Drain/High Point Vent Tee PVC 80 x CPVC 80

Visual Leak Detection



Size (inch)	Part No.	USD	G (inch)	H (inch)	S (inch)
1/2 x 2	8902005020	213.47	1.90	2.78	0.88
3/4 x 3	8902007030	299.48	2.75	3.75	1.00
1 x 3	8902010030	315.03	2.56	3.75	1.19
1-1/2 x 4	8902015040	461.14	3.20	4.60	1.40
2 x 4	8902020040	830.05	3.10	4.60	1.50
3 x 6	8902030060	1,670.47	4.80	6.70	1.90
4 x 8	8902040080	2,178.24	6.47	8.67	2.20
6 x 10	8902060100	4,100.52	7.77	10.77	3.00



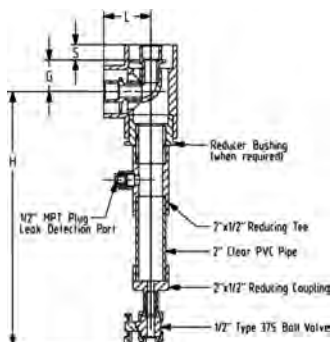
A

90° Low Point Drain/High Point Vent Tee PVC 80 x CPVC 80

Visual Leak Detection and Leak Detection Port



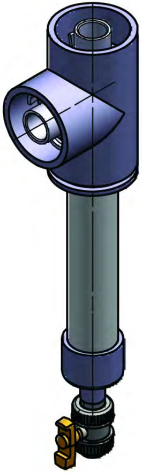
Size (inch)	Part No.	USD	G (inch)	H (inch)	S (inch)
1/2 x 2	8903005020	232.12	1.90	2.78	0.88
3/4 x 3	8903007030	312.95	2.75	3.75	1.00
1 x 3	8903010030	338.86	2.56	3.75	1.19
1-1/2 x 4	8903015040	488.08	3.20	4.60	1.40
2 x 4	8903020040	856.99	3.10	4.60	1.50
4 x 8	8903040080	2,249.74	6.47	8.67	2.20
4 x 8	8903040080	2,249.74	6.47	8.67	2.20
6 x 10	8903060100	4,242.49	7.77	10.77	3.00



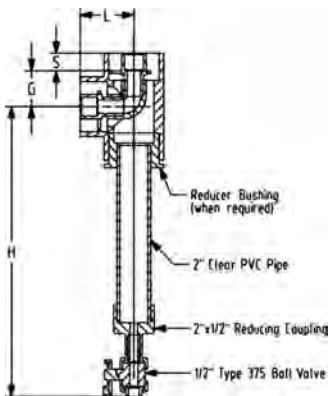
A

90° Low Point Drain/High Point Vent Tee PVC 80 x PVC 80

Visual Leak Detection



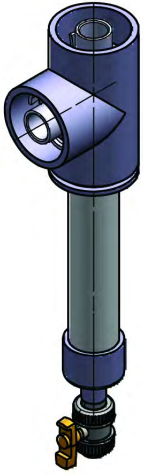
Size (inch)	Part No.	USD	G (inch)	L (inch)	S (inch)	H (inch)
1/2 x 2	8802005020	193.78	1.90	2.78	0.88	19.66
3/4 x 3	8802007030	221.76	2.75	3.75	1.00	20.28
1 x 3	8802010030	224.87	2.56	3.75	1.79	20.28
1-1/2 x 4	8802015040	312.95	3.23	4.53	1.40	20.76
2 x 4	8802020040	922.28	3.13	4.63	1.50	20.76
3 x 6	8802030060	1,422.80	4.73	6.63	1.90	24.09
4 x 8	8802040080	1,777.20	6.50	8.70	2.20	24.47
6 x 10	8802060100	2,261.14	7.85	10.85	3.00	27.75



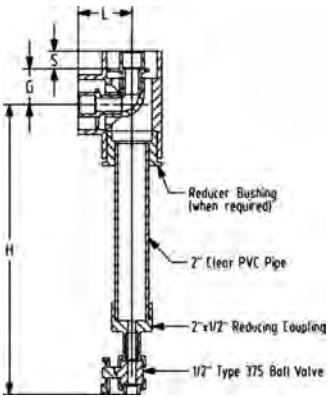
A

90° Low Point Drain/High Point Vent Tee CPVC 80 x PVC 80

Visual Leak Detection



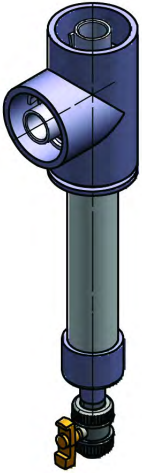
Size (inch)	Part No.	USD	G (inch)	L (inch)	S (inch)	H (inch)
1/2 x 2	9802005020	201.04	1.90	2.78	0.88	19.66
3/4 x 3	9802007030	231.09	2.75	3.75	1.00	20.28
1 x 3	9802010030	246.63	2.56	3.75	1.79	20.28
1-1/2 x 4	9802015040	358.55	3.23	4.63	1.40	20.76
2 x 4	9802020040	1,020.73	3.13	4.63	1.50	20.76
3 x 6	9802030060	1,875.65	4.73	6.63	1.90	24.09
4 x 8	9802040080	1,476.68	6.50	8.70	2.20	24.47
6 x 10	9802060100	3,900.52	7.85	10.85	3.00	27.75



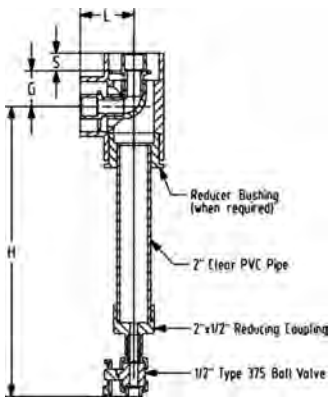
A

90° Low Point Drain/High Point Vent Tee CPVC 80 x CPVC 80

Visual Leak Detection



Size (inch)	Part No.	USD	G (inch)	L (inch)	S (inch)	H (inch)
1/2 x 2	9902005020	208.29	1.90	2.78	0.88	21.44
3/4 x 3	9902007030	310.88	2.75	3.75	1.00	22.02
1 x 3	9902010030	326.42	2.56	3.75	1.19	22.02
1-1/2 x 4	9902015040	476.68	3.23	4.63	1.40	22.50
2 x 4	9902020040	733.68	3.13	4.63	1.50	22.50
3 x 6	9902030060	1,534.72	4.63	6.53	1.90	25.83
4 x 8	9902040080	2,325.39	6.43	8.63	2.20	26.21
6 x 10	9902060100	4,003.11	8.25	11.25	3.00	27.75



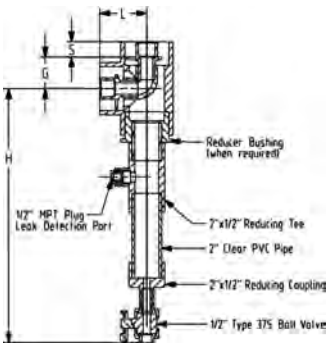
A

90° Low Point Drain/High Point Vent Tee PVC 80 x PVC 80

Visual Leak Detection and Leak Detection Port



Size (inch)	Part No.	USD	G (inch)	L (inch)	S (inch)	H (inch)
1/2 x 2	8803005020	213.47	1.90	2.78	0.88	19.66
3/4 x 3	8803007030	202.07	2.75	3.75	1.00	20.28
1 x 3	8803010030	243.52	2.56	3.75	1.79	20.28
1-1/2 x 4	8803015040	334.72	3.23	4.63	1.40	20.76
2 x 4	8803020040	944.04	3.13	4.63	1.50	20.76
3 x 6	8803030060	1,447.67	4.73	6.63	1.90	24.09
4 x 8	8803040080	1,825.91	6.50	8.70	2.20	24.47
6 x 10	8803060100	2,379.27	7.85	10.85	3.00	27.75



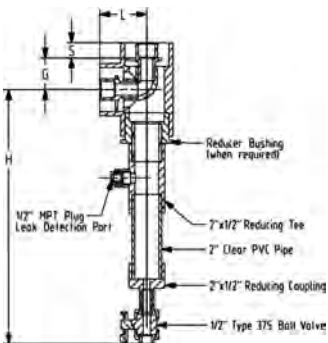
A

90° Low Point Drain/High Point Vent Tee CPVC 80 x PVC 80

Visual Leak Detection and Leak Detection Port



Size (inch)	Part No.	USD	G (inch)	L (inch)	S (inch)	H (inch)
1/2 x 2	9803005020	220.73	1.90	2.78	0.88	19.66
3/4 x 3	9803007030	212.44	2.75	3.75	1.00	20.28
1 x 3	9803010030	265.28	2.56	3.75	1.79	20.28
1-1/2 x 4	9803015040	379.27	3.23	4.63	1.40	20.76
2 x 4	9803020040	1,042.49	3.13	4.63	1.50	20.76
3 x 6	9803030060	1,900.52	4.73	6.63	1.90	24.09
4 x 8	9803040080	1,525.39	6.50	8.70	2.20	24.47
6 x 10	9803060100	4,018.65	7.85	10.85	3.00	27.75



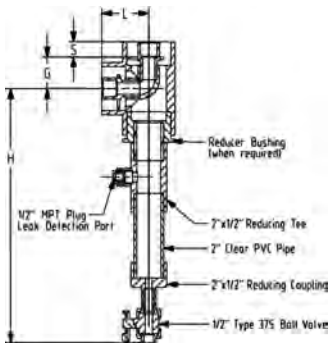
A

90° Low Point Drain/High Point Vent Tee CPVC 80 x CPVC 80

Visual Leak Detection and Leak Detection Port



Size (inch)	Part No.	USD	G (inch)	L (inch)	S (inch)	H (inch)
1/2 x 2	9903005020	226.94	1.90	2.78	0.88	21.44
3/4 x 3	9903007030	334.72	2.75	3.75	1.00	22.02
1 x 3	9903010030	349.22	2.56	3.75	1.19	22.02
1-1/2 x 4	9903015040	503.63	3.23	4.63	1.40	22.50
2 x 4	9903020040	760.62	3.13	4.63	1.50	22.50
3 x 6	9903030060	1,582.38	4.63	6.53	1.90	25.83
4 x 8	9903040080	2,401.04	6.43	8.63	2.20	26.21
6 x 10	9903060100	4,147.15	8.25	11.25	3.00	27.75



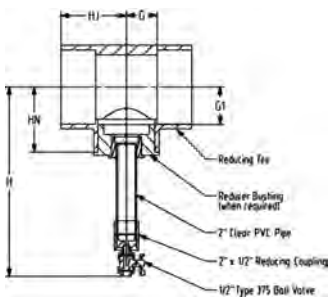
A

Low Point Drain/High Point Vent Tee, PVC

Visual Leak Detection



Secondary (inch)	Reducing Tee (inch)	Part No.	USD	H (inch)	HJ (inch)	HN (inch)	G (inch)	G1 (inch)
2	2 x 2	8801375020	166.84	17.28	2.78	2.78	1.29	1.29
3	3 x 2	8801375030	168.91	17.90	3.21	3.40	1.31	1.87
4	4 x 2	8801375040	181.35	18.38	3.52	3.88	1.26	2.37
6	6 x 2	8801375060	231.09	21.71	6.58	7.21	3.50	5.65
8	8 x 2	8801375080	420.73	22.09	7.63	7.59	3.59	3.56
10	10 x 2	8801375100	1,034.20	23.63	9.69	9.13	4.69	13.31



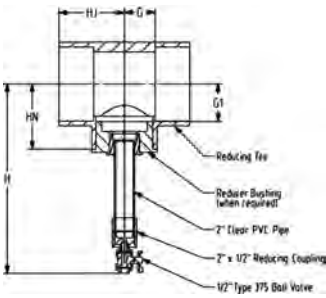
A

Low Point Drain/High Point Vent Tee, CPVC

Visual Leak Detection



Secondary (inch)	Reducing Tee (inch)	Part No.	USD	H (inch)	HJ (inch)	HN (inch)	G (inch)	G1 (inch)
2	2 x 2	9801375020	168.91	17.32	2.82	2.82	1.32	1.32
3	3 x 2	9801375030	212.44	17.90	3.21	3.40	1.31	1.87
4	4 x 2	9801375040	229.02	18.38	3.52	3.88	1.26	2.37
6	6 x 2	9801375060	416.58	21.71	6.58	7.21	3.56	5.65
8	8 x 2	9801375080	672.54	22.09	7.63	7.59	3.59	3.56
10	10 x 2	9801375100	1,216.58	23.63	9.69	9.13	4.69	13.31



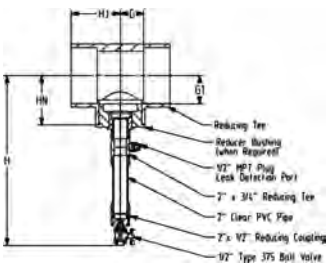
A

Low Point Drain/High Point Vent Tee, PVC

Visual Leak Detection and Leak Detection Port



Secondary (inch)	Reducing Tee (inch)	Part No.	USD	H (inch)	HJ (inch)	HN (inch)	G (inch)	G1 (inch)
2	2 x 2	8801375020P	185.49	19.66	2.78	2.78	1.29	1.29
3	3 x 2	8801375030P	188.60	20.28	3.21	3.40	1.31	1.87
4	4 x 2	8801375040P	202.07	20.76	3.52	3.88	1.26	2.37
6	6 x 2	8801375060P	255.96	24.09	6.58	7.21	3.56	5.65
8	8 x 2	8801375080P	469.43	24.47	7.63	7.59	3.59	3.56
10	10 x 2	8801375100P	1,152.33	26.01	9.69	9.13	4.69	13.31



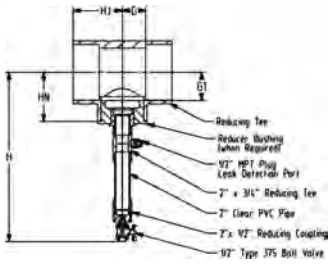
A

Low Point Drain/High Point Vent Tee, CPVC

Visual Leak Detection and Leak Detection Port



Secondary (inch)	Reducing Tee (inch)	Part No.	USD	H (inch)	HJ (inch)	HN (inch)	G (inch)	G1 (inch)
2	2 x 2	9801375020P	188.60	21.44	2.82	2.82	1.32	1.32
3	3 x 2	9801375030P	235.23	22.02	3.21	3.40	1.31	1.87
4	4 x 2	9801375040P	255.96	22.50	3.52	3.88	1.26	2.37
6	6 x 2	9801375060P	464.25	25.83	6.58	7.21	3.56	5.65
8	8 x 2	9801375080P	749.22	26.21	7.63	7.59	3.59	3.56
10	10 x 2	9801375100P	1,360.62	27.75	9.69	9.13	4.69	13.31



Sump

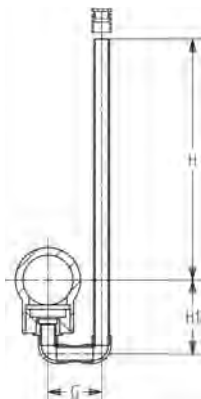
A

Low Point Leak Detection Sump PVC

Riser Pipe not included



Size (inch)	Reducing Tee (inch)	Part No.	USD	H (inch)	H1 (inch)	G (inch)
2	2 x 2	8804806020	267.36	36	6.56	6.56
3	3 x 2	8804806030	279.79	36	7.15	6.56
4	4 x 2	8804806040	416.58	36	7.66	6.56
6	6 x 2	8804806060	630.05	36	10.99	8.00
8	8 x 2	8804806080	862.18	36	12.33	8.00
10	10 x 2	8804806100	3,089.12	36	16.16	10.00



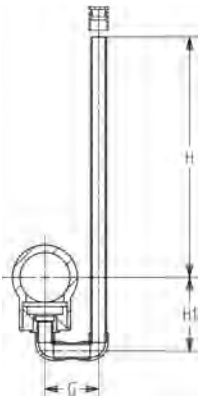
A

Low Point leak Detection Sump CPVC

Riser Pipe not included

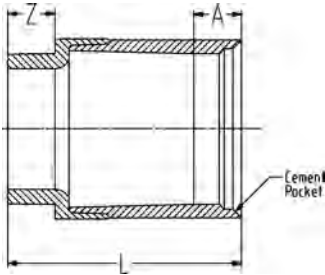
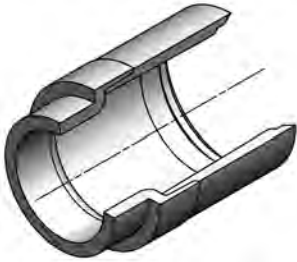


Size (inch)	Reducing Tee (inch)	Part No.	USD	H (inch)	H1 (inch)	G (inch)
2	2 x 2	9804806020	327.46	36	6.56	6.56
3	3 x 2	9804806030	356.48	36	7.15	6.56
4	4 x 2	9804806040	505.70	36	7.66	6.56
6	6 x 2	9804806060	867.36	36	10.99	8.00
8	8 x 2	9804806080	1,515.03	36	12.33	8.00
10	10 x 2	9804806100	3,801.04	36	16.16	10.00



Closure Couplings

A



Closure Coupling, PVC

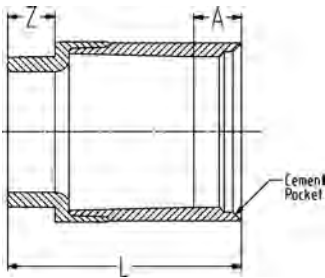
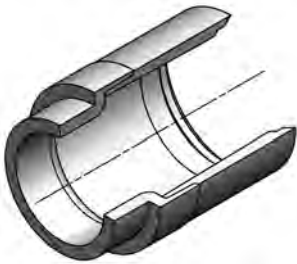
For use with compliance to ASME B31.3

Standard couplings are available in the Vinyls Price List

Two component adhesive/sealer required located in the accessories section of Double-See

Size (inch)	Part No.	USD	L (inch)	A (inch)	Z (inch)
2	* 831020	315.03	3.71	0.75	0.75
3	* 831030	340.93	4.74	0.75	0.75
4	* 831040	368.91	5.46	1.00	1.00
6	* 831060	392.75	9.41	1.50	1.50
8	* 831080	487.05	10.70	1.75	1.75
10	* 831100	683.94	12.45	2.00	2.00

A



Closure Coupling, CPVC

For use with compliance to ASME B31.3

Standard couplings are available in the Vinyls Price List

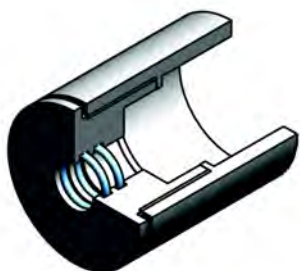
Two component adhesive/sealer required located in the accessories section of Double-See

Size (inch)	Part No.	USD	L (inch)	A (inch)	Z (inch)
2	* 931020	594.82	3.71	0.75	0.75
3	* 931030	623.83	4.74	1.00	0.75
4	* 931040	653.89	5.46	1.00	1.00
6	* 931060	802.07	9.41	1.19	1.50
8	* 931080	1,069.43	10.70	1.19	1.75
10	* 931100	2,019.69	12.45	1.92	2.00

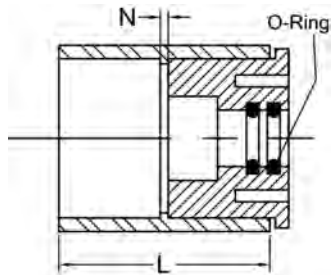
Terminations

A

Termination, PVC 80

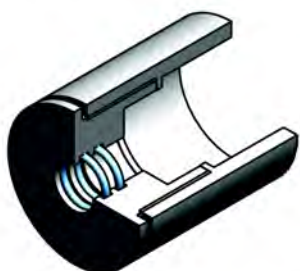


Size (inch)	FKM Part No.	USD	EPDM Part No.	USD	L (inch)	N (inch)
½ x 2	825005020F	161.66	825005020E	161.66	3.14	0.12
¾ x 3	825007030F	201.04	825007030E	201.04	4.04	0.25
1 x 3	825010030F	201.04	825010030E	201.04	4.04	0.25
1 ½ x 4	825015040F	231.09	825015040E	231.09	4.79	0.25
2 x 4	825020040F	239.38	825020040E	239.38	4.79	0.25
3 x 6	825030060F	388.60	825030060E	388.60	6.41	0.34
4 x 8	825040080F	482.90	825040080E	482.90	8.40	0.34
6 x 10	825060100F	1,102.59	825060100E	1,102.59	10.55	0.49

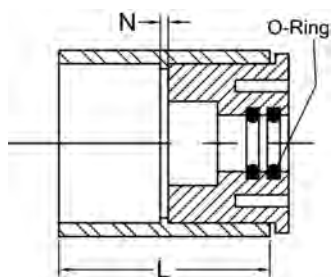


A

Termination, CPVC 80

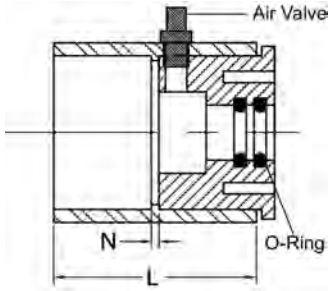
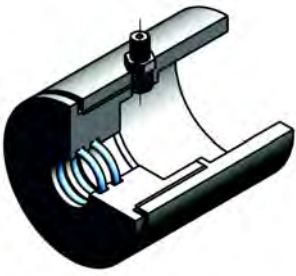


FKM Part No.	USD	EPDM Part No.	USD	L (inch)	N (inch)
925005020F	243.52	925005020E	243.52	3.14	0.12
925007030F	248.70	925007030E	248.70	4.04	0.25
925010030F	255.96	925010030E	255.96	4.04	0.25
925015040F	323.32	925015040E	323.32	4.79	0.25
925020040F	337.82	925020040E	337.82	4.79	0.25
925030060F	611.40	925030060E	611.40	6.41	0.34
925040080F	1,092.23	925040080E	1,092.23	8.40	0.34
925060100F	1,662.18	925060100E	1,662.18	10.54	0.50



A

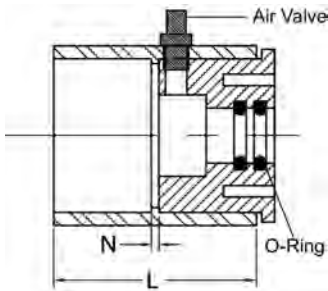
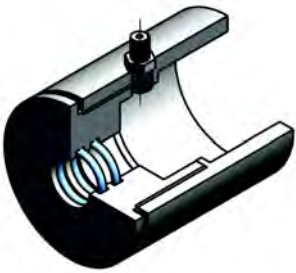
Test Termination, PVC 80



FKM Part No.	USD	EPDM Part No.	USD	L (inch)	N (inch)
825005020FT	179.27	825005020ET	179.27	3.14	0.12
825007030FT	223.83	825007030ET	223.83	4.04	0.25
825010030FT	223.83	825010030ET	223.83	4.04	0.25
825015040FT	256.99	825015040ET	256.99	4.79	0.25
825020040FT	265.28	825020040ET	265.28	4.79	0.25
825030060FT	431.09	825030060ET	431.09	6.41	0.34
825040080FT	536.79	825040080ET	536.79	8.40	0.34
825060100FT	1,224.87	825060100ET	1,224.87	10.55	0.49

A

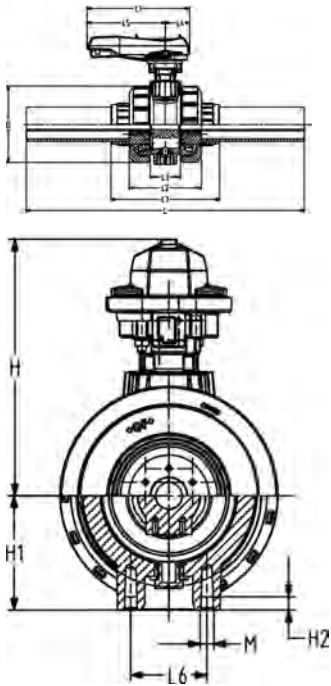
Test Termination, CPVC 80



FKM Part No.	USD	EPDM Part No.	USD	L (inch)	N (inch)
925005020FT	270.47	925005020ET	270.47	3.14	0.12
925007030FT	276.68	925007030ET	276.68	4.04	0.25
925010030FT	283.94	925010030ET	283.94	4.04	0.25
925015040FT	359.59	925015040ET	359.59	4.79	0.25
925020040FT	375.13	925020040ET	375.13	4.79	0.25
925030060FT	679.79	925030060ET	679.79	6.41	0.34
925040080FT	1,213.47	925040080ET	1,213.47	8.40	0.34
925060100FT	1,847.67	925060100ET	1,847.67	10.55	0.49

Valves

A

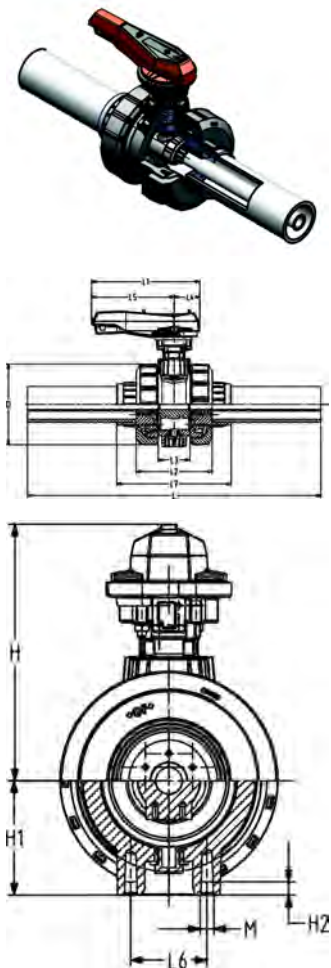


**Type 546 Manual Ball Valve, Double Contained
PVC x PVC
Pressure Rated**

Size (inch)	EPDM Part No.	USD	FKM Part No.	USD
1/2 x 2	* 150 546 005	1,740.93	* 150 546 805	1,776.17
3/4 x 3	* 150 546 007	2,367.88	* 150 546 807	2,406.22
1 x 3	* 150 546 010	2,546.11	* 150 546 810	2,594.82
1-1/2 x 4	* 150 546 015	3,145.08	* 150 546 815	3,206.22
2 x 4	* 150 546 020	3,322.28	* 150 546 820	3,396.89

D (inch)	L (inch)	L3 (inch)	L2 (inch)	L1 (inch)	L4 (inch)	L5 (inch)	L6 (inch)	H1 (inch)	M (inch)	H2 (inch)	H (inch)
4.88	8.13	2.40	5.13	5.98	2.60	3.43	1.77	2.52	8	0.59	5.67
7.87	11.22	2.76	7.47	10.59	2.52	8.11	2.76	4.13	8	0.59	9.25
7.87	11.22	2.99	7.47	10.59	2.52	8.11	2.76	4.13	8	0.59	9.25
9.37	14.20	3.70	9.20	12.60	2.52	10.05	4.72	4.84	12	0.87	9.63
9.37	14.20	4.21	9.20	12.60	2.52	10.05	4.72	4.84	12	0.87	9.63

A



Type 546 Manual Ball Valve, Double Contained CPVC x PVC

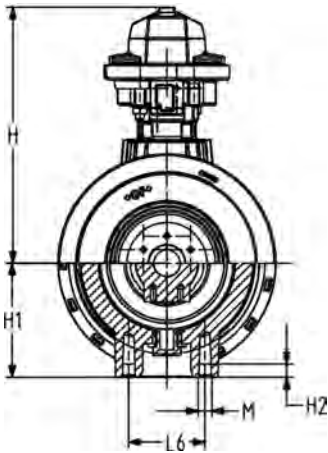
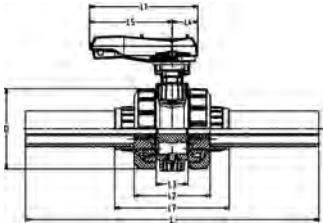
Pressure Rated

Size (inch)	EPDM Part No.	USD	FKM Part No.	USD
1/2 x 2	* 150 546 905	1,764.77	* 150 546 705	1,808.29
3/4 x 3	* 150 546 907	2,391.71	* 150 546 707	2,447.67
1 x 3	* 150 546 910	2,558.55	* 150 546 710	2,633.16
1-1/2 x 4	* 150 546 915	3,163.73	* 150 546 715	3,263.21
2 x 4	* 150 546 920	3,344.04	* 150 546 720	3,487.05

D (inch)	L (inch)	L1 (inch)	L2 (inch)	L3 (inch)	L4 (inch)	L5 (inch)	L6 (inch)	H (inch)	H1 (inch)	H2 (inch)	M (inch)
4.88	8.13	5.98	5.13	2.10	2.60	3.43	1.77	5.67	2.52	0.59	8.00
7.87	11.22	10.59	7.47	2.76	2.52	8.11	2.76	9.25	4.13	0.59	8.00
7.87	11.22	10.59	7.47	2.99	2.52	8.11	2.76	9.25	4.13	0.59	8.00
9.37	14.20	12.60	9.20	3.70	2.52	10.05	4.72	9.63	4.84	0.87	12.00
9.37	14.20	12.60	9.20	4.21	2.52	10.05	4.72	9.63	4.84	0.87	12.00

Type 546 Manual Ball Valve, Double Contained CPVC x CPVC

Pressure Rated



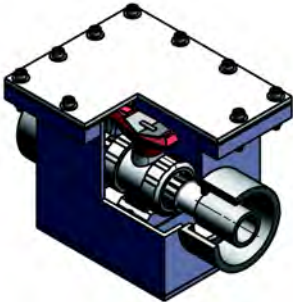
Size (inch)	EPDM Part No.	USD	FKM Part No.	USD
1/2 x 2	150 546 991	1,868.39	150 546 791	1,963.73
3/4 x 3	150 546 992	2,806.22	150 546 792	2,862.18
1 x 3	150 546 993	2,973.06	150 546 793	3,047.67
1-1/2 x 4	150 546 994	3,578.24	150 546 794	3,677.72
2 x 4	150 546 995	3,758.55	150 546 795	3,901.55

D (inch)	L (inch)	L1 (inch)	L2 (inch)	L3 (inch)	L4 (inch)	L5 (inch)	L6 (inch)	H (inch)	H1 (inch)	H2 (inch)	M (inch)
4.88	8.13	5.98	5.13	2.10	2.60	3.43	1.77	5.67	2.52	0.59	8.00
7.87	11.22	10.59	7.47	2.76	2.52	8.11	2.76	9.25	4.13	0.59	8.00
7.87	11.22	10.59	7.47	2.99	2.52	8.11	2.76	9.25	4.13	0.59	8.00
9.37	14.20	12.60	9.20	3.70	2.52	10.05	4.72	9.63	4.84	0.87	12.00
9.37	14.20	12.60	9.20	4.21	2.52	10.05	4.72	9.63	4.84	0.87	12.00

A

Manual Valve Box, PVC x PVC

Not Pressure Rated



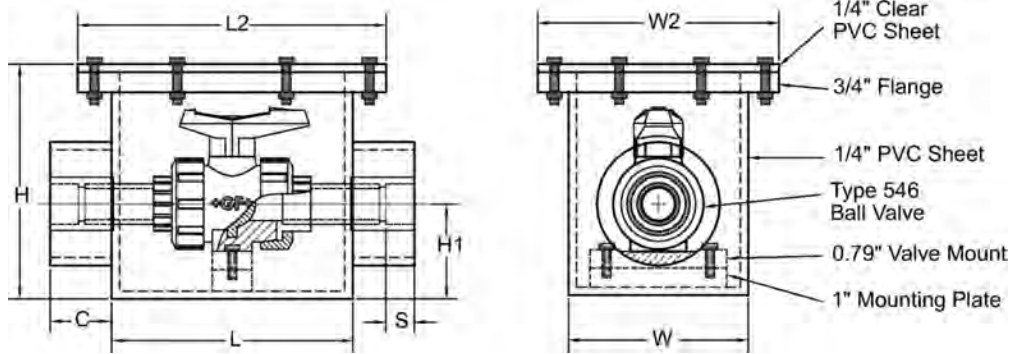
Size (inch)	EPDM Part No.	USD	FKM Part No.	USD
1/2 x 2	* 8546005020EVB	769.95	* 8546005020FVB	777.20
3/4 x 3	* 8546007030EVB	1,045.60	* 8546007030FVB	1,054.92
1 x 3	* 8546010030EVB	1,054.92	* 8546010030FVB	1,069.43
1-1/2 x 4	* 8546015040EVB	1,269.43	* 8546015040FVB	1,286.01
2 x 4	* 8546020040EVB	1,293.26	* 8546020040FVB	1,321.24
3 x 6	* 8546030060EVB	1,830.05	* 8546030060FVB	1,915.03
4 x 8	* 8546040080EVB	2,105.70	* 8546040080FVB	2,221.76

Weight (lb)	W (inch)	L (inch)	H (inch)	H1 (inch)	C (inch)	S (inch)	W2 (inch)	L2 (inch)
7.20	6.00	8.00	8.00	3.10	1.57	0.88	8.00	10.00
7.45	6.00	8.00	8.00	2.02	2.02	1.00	8.00	10.00
8.20	10.00	8.00	8.00	2.02	2.02	1.13	8.00	10.00

table continued on the next page

A

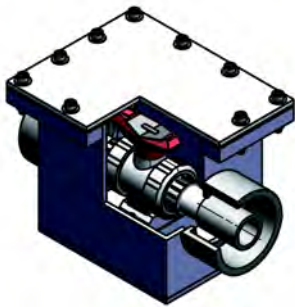
Weight (lb)	W (inch)	L (inch)	H (inch)	H1 (inch)	C (inch)	S (inch)	W2 (inch)	L2 (inch)
12.09	10.00	10.00	11.00	2.40	2.40	1.38	12.00	12.00
28.34	10.00	10.00	11.00	2.40	2.40	1.50	12.00	12.00
53.84	18.00	18.00	15.00	3.21	3.21	1.88	20.00	20.00
83.02	22.00	22.00	17.00	4.20	4.20	2.25	24.00	24.00



A

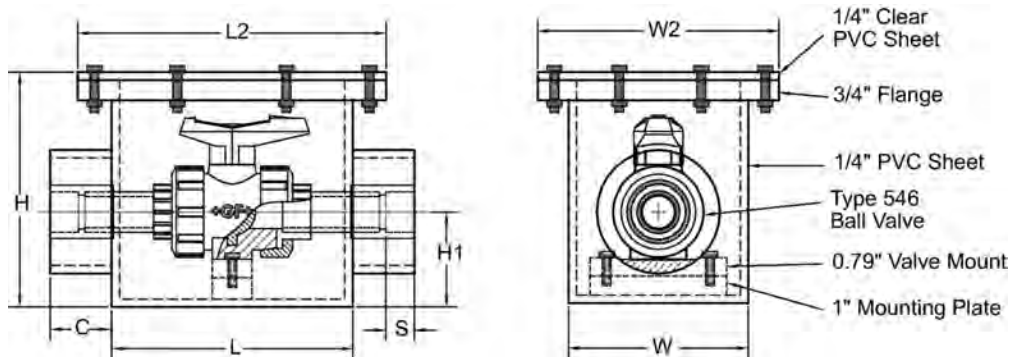
Manual Valve Box, CPVC x PVC

Not Pressure Rated



Size (inch)	EPDM Part No.	USD	FKM Part No.	USD
1/2 x 2	* 9546005020EVB	795.85	* 9546005020FVB	843.52
3/4 x 3	* 9546007030EVB	1,076.68	* 9546007030FVB	1,168.91
1 x 3	* 9546010030EVB	1,093.26	* 9546010030FVB	1,225.91
1-1/2 x 4	* 9546015040EVB	1,317.10	* 9546015040FVB	1,347.15
2 x 4	* 9546020040EVB	1,356.48	* 9546020040FVB	1,404.15
3 x 6	* 9546030060EVB	2,069.43	* 9546030060FVB	2,100.52
4 x 8	* 9546040080EVB	2,392.75	* 9546040080FVB	2,433.16

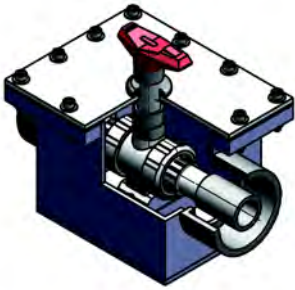
Weight (lb)	W (inch)	L (inch)	H (inch)	H1 (inch)	C (inch)	S (inch)	W2 (inch)	L2 (inch)
7.22	6.00	8.00	3.10	3.10	1.57	0.88	8.00	10
7.47	6.00	8.00	3.22	2.02	2.02	1.00	8.00	10
8.27	6.00	8.00	3.46	2.02	2.02	1.13	8.00	10
12.32	10.00	10.00	4.05	2.40	2.40	1.38	12.00	12
28.82	10.00	10.00	4.56	2.40	2.40	1.50	12.00	12
55.38	18.00	18.00	6.17	3.21	3.21	1.88	20.00	20
85.88	22.00	22.00	6.88	4.20	4.20	2.25	24.00	24



A

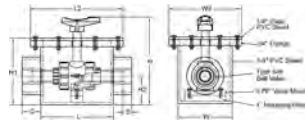
Manual Valve Box, External Handle PVC x PVC

Not Pressure Rated



Size (inch)	EPDM Part No.	USD	FKM Part No.	USD
1/2 x 2	* 8546005020EEH	1,014.51	* 8546005020FEH	1,026.94
3/4 x 3	* 8546007030EEH	1,295.34	* 8546007030FEH	1,309.84
1 x 3	* 8546010030EEH	1,304.66	* 8546010030FEH	1,323.32
1-1/2 x 4	* 8546015040EEH	1,521.24	* 8546015040FEH	1,661.14
2 x 4	* 8546020040EEH	1,545.08	* 8546020040FEH	1,578.24

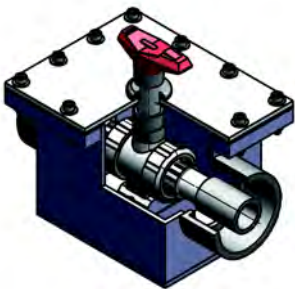
Weight (lb)	W (inch)	L (inch)	H (inch)	H1 (inch)	H2 (inch)	C (inch)	S (inch)	W2 (inch)	L2 (inch)
7.50	6.00	8.00	9.20	7.00	3.10	1.57	0.88	8.00	10.00
7.75	6.00	8.00	9.50	7.00	3.22	2.02	1.00	8.00	10.00
8.50	6.00	8.00	9.50	7.00	3.46	2.02	1.13	8.00	10.00
12.49	8.00	10.00	12.80	10.00	4.05	2.40	1.38	10.00	12.00
28.74	8.00	10.00	13.00	10.00	4.56	2.40	1.50	10.00	12.00



A

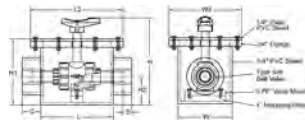
Manual Valve Box, External Handle CPVC x PVC

Not Pressure Rated



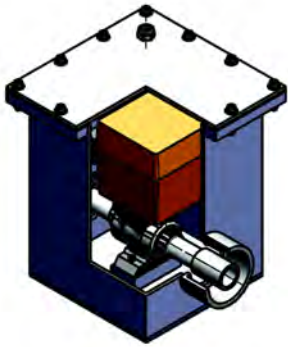
Size (inch)	EPDM Part No.	FKM Part No.	USD
1/2 x 2	9546005020EEH	* 9546005020FEH	1,052.85
3/4 x 3	9546007030EEH	* 9546007030FEH	1,461.14
1 x 3	9546010030EEH	* 9546010030FEH	1,366.84
1-1/2 x 4	9546015040EEH	* 9546015040FEH	1,604.15
2 x 4	9546020040EEH	* 9546020040FEH	1,661.14

Weight (lb)	W (inch)	L (inch)	H (inch)	H1 (inch)	H2 (inch)	C (inch)	S (inch)	W2 (inch)	L2 (inch)
7.52	5.00	8.00	9.20	7.00	3.10	1.57	0.88	7.00	10.00
7.77	5.00	8.00	9.50	7.00	3.22	2.02	1.00	7.00	10.00
8.57	5.00	8.00	9.50	7.00	3.46	2.02	1.13	7.00	10.00
11.42	8.00	10.00	12.80	10.00	4.05	2.40	1.38	10.00	12.00
29.22	8.00	10.00	13.00	10.00	4.56	2.40	1.50	10.00	12.00



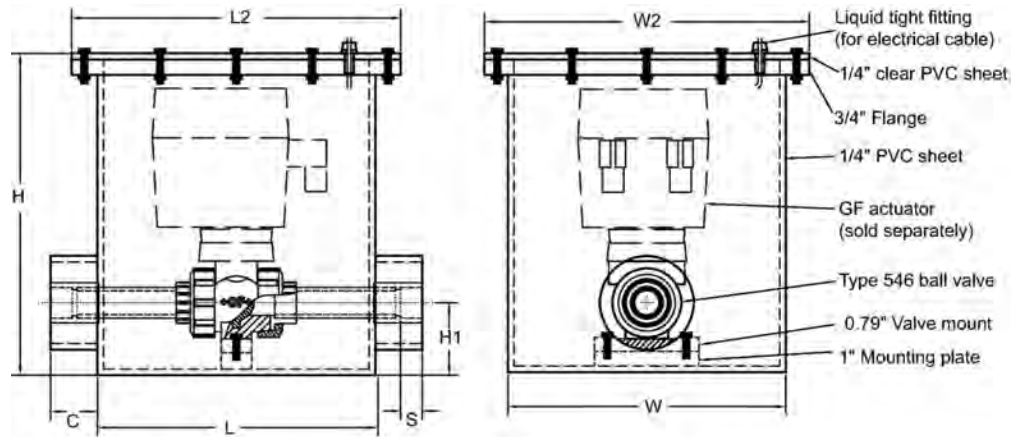
A

Actuated Valve Box, PVC x PVC



Size (inch)	EPDM Part No.	USD	FKM Part No.	USD
1/2 x 2	* 8546005020EAV	1,076.68	* 8546005020FAV	1,083.94
3/4 x 3	* 8546007030EAV	1,354.40	* 8546007030FAV	1,363.73
1 x 3	* 8546010030EAV	1,363.73	* 8546010030FAV	1,378.24
1-1/2 x 4	* 8546015040EAV	1,575.13	* 8546015040FAV	1,591.71
2 x 4	* 8546020040EAV	1,597.93	* 8546020040FAV	1,627.98
3 x 6	* 8546030060EAV	2,132.64	* 8546030060FAV	2,254.92
4 x 8	* 8546040080EAV	2,411.40	* 8546040080FAV	2,528.50

Weight (lb)	W (inch)	L (inch)	H (inch)	H1 (inch)	C (inch)	S (inch)	W2 (inch)	L2 (inch)
8.70	10.00	10.00	14.00	3.10	1.57	0.88	12.00	12.00
8.95	10.00	10.00	14.00	3.22	2.02	1.00	12.00	12.00
10.20	10.00	10.00	14.00	3.46	2.02	1.13	12.00	12.00
14.34	10.00	10.00	16.00	4.05	2.40	1.38	12.00	12.00
33.44	10.00	10.00	16.00	4.56	2.40	1.50	12.00	12.00
61.34	13.00	15.00	24.00	6.17	3.21	1.88	15.00	17.00
94.52	15.00	17.00	24.00	6.88	4.20	2.25	17.00	19.00



A

Actuated Valve Box, CPVC x PVC



Not Pressure Rated

Includes 546 Ball Valve, customer to purchase actuator of choice separately, to be mounted onto valve

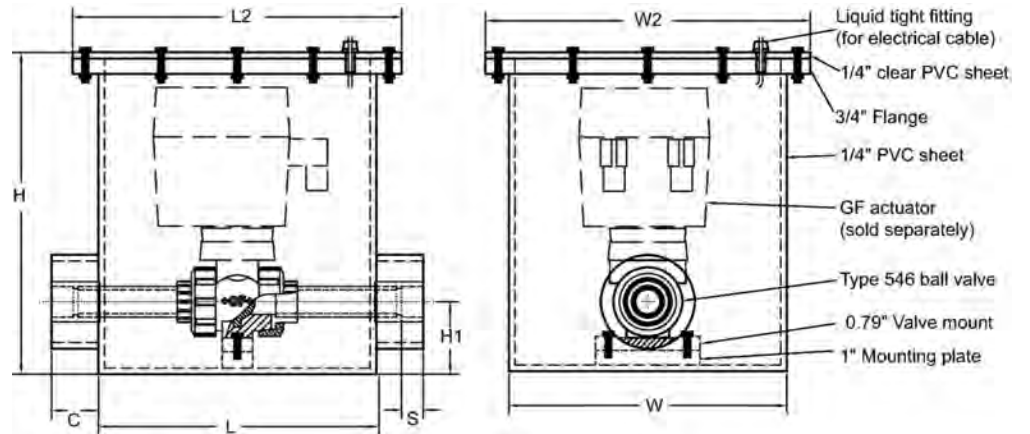
Size (inch)	EPDM Part No.	USD	FKM Part No.	USD
1/2 x 2	* 9546005020EAV	1,102.59	* 9546005020FAV	1,110.88
3/4 x 3	* 9546007030EAV	1,387.56	* 9546007030FAV	1,396.89
1 x 3	* 9546010030EAV	1,404.15	* 9546010030FAV	1,420.73
1-1/2 x 4	* 9546015040EAV	1,622.80	* 9546015040FAV	1,653.89
2 x 4	* 9546020040EAV	1,663.21	* 9546020040FAV	1,710.88
3 x 6	* 9546030060EAV	2,370.98	* 9546030060FAV	2,404.15
4 x 8	* 9546040080EAV	2,699.48	* 9546040080FAV	2,739.90

Weight (lb)	W (inch)	L (inch)	H (inch)	H1 (inch)	C (inch)	S (inch)	W2 (inch)	L2 (inch)
8.72	10.00	10.00	14.00	3.10	1.57	0.88	12.00	12.00
8.97	10.00	10.00	14.00	3.22	2.02	1.00	12.00	12.00
10.27	10.00	10.00	14.00	3.46	2.02	1.13	12.00	12.00

table continued on the next page

A

Weight (lb)	W (inch)	L (inch)	H (inch)	H1 (inch)	C (inch)	S (inch)	W2 (inch)	L2 (inch)
14.57	10.00	10.00	16.00	4.05	2.40	1.38	12.00	12.00
33.92	10.00	10.00	16.00	4.56	2.40	1.50	12.00	12.00
62.88	13.00	15.00	24.00	6.17	3.21	1.88	15.00	17.00
97.38	15.00	17.00	24.00	6.88	4.20	2.25	17.00	19.00



A

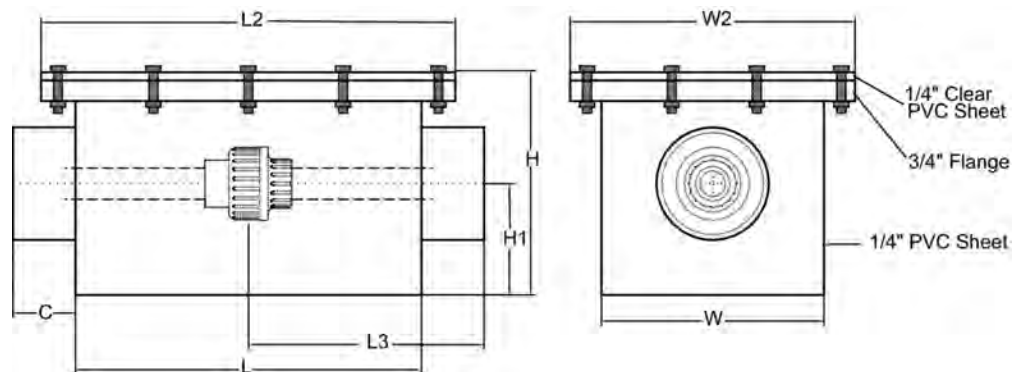
Flange/Union Box, PVC

Not Pressure Rated



Secondary Connection (inch)	Part No.	USD
2	* 8854020F	600.00
3	* 8854030F	846.63
4	* 8854040F	992.75
6	* 8854060F	1,622.80
8	* 8854080F	1,607.25
10	* 8854100F	2,094.30

Secondary Connection (inch)	Weight (lb)	W (inch)	W2 (inch)	L (inch)	L2 (inch)	L3 (inch)	H (inch)	H1 (inch)	C (inch)
2	6.58	9	11.00	14.00	16.00	8.57	9.00	4.50	1.57
3	6.97	9	11.00	14.00	16.00	9.02	9.00	4.50	2.02
4	9.32	12	14.00	14.00	16.00	9.40	12.00	6.00	2.40
6	23.63	12	14.00	14.00	16.00	10.21	12.00	6.00	3.21
8	36.29	15	17.00	15.00	17.00	11.70	15.00	7.50	4.20
10	55.75	15	17.00	15.00	17.00	12.78	15.00	7.50	5.28



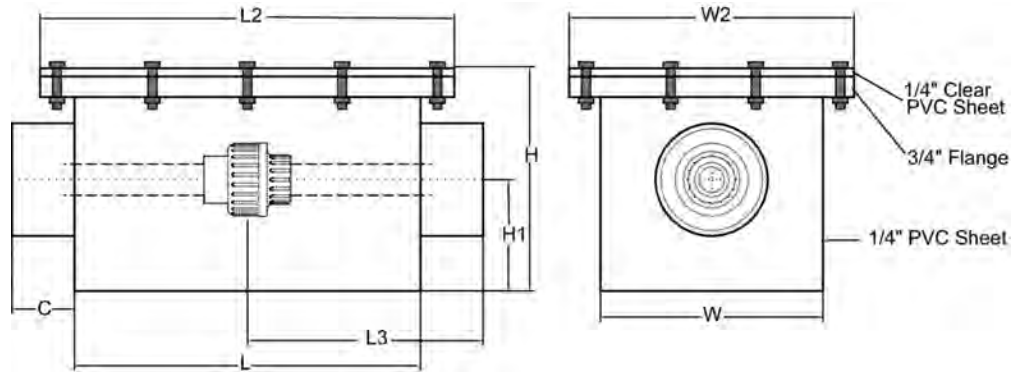


Flange/Union Box, CPVC

Not Pressure Rated

Secondary Connection (inch)	Part No.	USD
2	9854020F	918.13
3	9854030F	1,296.37
4	9854040F	1,519.17
6	9854060F	2,482.90
8	9854080F	2,460.10
10	9854100F	3,205.18

Secondary Connection (inch)	Weight (lb)	W (inch)	W2 (inch)	L (inch)	L2 (inch)	L3 (inch)	H (inch)	H1 (inch)	C (inch)
2	6.58	9	11.00	14.00	16.00	8.57	9.00	4.50	1.57
3	6.97	9	11.00	14.00	16.00	9.02	9.00	4.50	2.02
4	9.32	12	14.00	14.00	16.00	9.40	12.00	6.00	2.40
6	23.63	12	14.00	14.00	16.00	10.21	12.00	6.00	3.21
8	36.29	15	17.00	15.00	17.00	11.70	15.00	7.50	4.20
10	55.75	15	17.00	15.00	17.00	12.78	15.00	7.50	5.28



Leak Detection

A



Low Point Leak Detection Alarm Box

- Visual alarm indicators
- Powered on lithium batteries
- Alarm box does not include sensors
- No output option

	Part No.	USD	Description
*	* 150 240 001	1,691.19	4 Sensor Signal Leak Detection Alarm Box

A



Low Point Leak Detection System

- 12 point leak detection system
- 14" x 12" NEMA 4 Enclosure with locking latches.
- Internal fusible breaker for power protection.
- (12) Red LED indicators for leak detection at a specific points.
- RS485 Communications for building automation.
- Alarm output terminals for remote alarm indication.
- Optional audible alarm available.
- Other options available upon request.

	Part No.	USD	Description
*	* 150 000 060	Call	12 Point Leak Detection System

A



Continuous Cable Leak Detection System

- Dimensions: 13.75" x 11.81" x 4.00" (350mm x 300mm x 102mm) Type 12 (IP52)
- Power: 110-240VAC, 50/60 Hz, 0.3 A/50 VA 24 VDC, 1 A/24 VA
- Accepts probe and cable sensors in one sensor string

	Maximum Cable Range (ft)	Cable Capacity	Part No.	USD
*	3000	1	* 150 000 061	Call
*	7500	1	* 150 000 064	Call
*	7500	4	* 150 000 065	Call

Accessories

B



Two-Component Adhesive/Sealer

For closure coupling installations only.
Contain-It Dispensing Gun (P#4694-200) can also be used for the 400mL cartridge

- The Starter Kit includes two cartridges, one dispensing gun, and six mixing tips.

	Part No.	USD	Description	Pack Qty
*	* 150 845 001	92.23	Starter Kit - 43mL	1
*	* 150 845 002	17.62	Two Part Adhesive - 43mL	10
*	* 150 845 003	1.04	Mixing Tip, Straight - 43mL	12
*	* 150 845 004	56.99	Dispensing Gun - 43mL	1
*	* 150 845 005	99.48	Two Part Adhesive - 400mL	4
*	* 150 845 006	4.66	Mixing Tip, Straight - 400mL	10
*	* 150 845 007	646.63	Dispensing Gun - 400mL	1