

Section 11

# Contain-It™ Secondary Containment Piping System



## Glossary

S	=	Contain-It™ Socket
SPG	=	Spigot End (same dimension as pipe outside diameter)
MPT	=	Male Pipe Thread
FPT	=	Female Pipe Thread

<b>Product Line</b>	<b>Description</b>
---------------------	--------------------

39	Fittings
41	Pipe
42	Accessories

The technical information given in this publication implies no warranty of any kind and is subject to change without notice. Please consult our Terms and Conditions of Sale.

### **Not for Use with Compressed Air or Gases**

#### **DO NOT TEST with Air or Air over Water**

GF Piping Systems DOES NOT RECOMMEND the use of thermoplastic piping products for systems to transport or store compressed air or gases, or the testing of thermoplastic piping systems with compressed air or gases in above or below ground locations. The use of GF Piping products in compressed air or gas systems automatically voids the warranty for such products, and their use against our recommendation is entirely the responsibility and liability of the installer. GF will not accept responsibility for damage or impairment from its products, or other consequential or incidental damages caused by misapplication, incorrect assembly, and/or exposure to harmful substances or conditions. The only exception to this recommendation is when testing the Contain-It™ Secondary System or the Fuseal Squared™ Double Containment Piping System's containment joints.



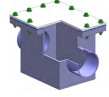
Contain-It Pipe

96



Contain-It Fittings

97



Contain-It Valve Box

101

Contain-It Flange Box

102



Contain-It Terminations

103



Contain-It Centralizers

106



Contain-It Accessories

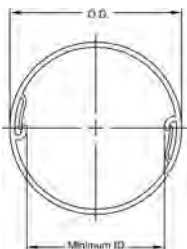
108



Leak Detection

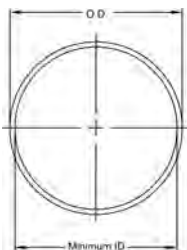
111

# Contain-It Pipe



## Split Pipe

Size (inch)	Lift Qty (ft)	lengths (ft)	Part No.	USD	Minimum Order Qty (ft)	O.D. (inch)	Minimum I.D. (inch)
3	480	10	* 37L015030	24.15	80	3.548	2.743
4	360	10	* 37L015040	24.97	60	4.215	3.525
6	120	10	* 37L015060	52.02	20	6.275	5.375



## Solid Pipe

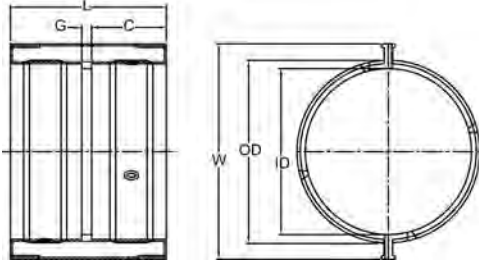
Size (inch)	Lift Qty (ft)	lengths (ft)	Part No.	USD	Minimum Order Qty (ft)	O.D. (inch)	Minimum I.D. (inch)
3	720	20	* 37L026030	13.78	120	3.548	3.248
4	560	20	* 37L026040	14.20	80	4.215	3.882
6	360	20	* 37L026060	29.74	40	6.275	5.782

# Contain-It Fittings



## Containment Coupling - Standard, Split (S x S)

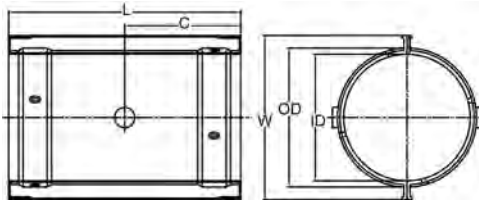
Size (inch)	Part No.	USD	Pack Qty	C (inch)	G (inch)	L (inch)	W (inch)	O.D. (inch)	I.D. (inch)
3	<b>4629-030</b>	<b>95.13</b>	5	2.00	0.38	4.38	5.40	3.40	3.55
4	<b>4629-040</b>	<b>98.03</b>	5	2.00	0.38	4.38	6.06	4.61	4.54
6	<b>4629-060</b>	<b>147.15</b>	5	2.75	0.38	5.30	8.06	6.75	6.57



## Containment Coupling - Extended, Split (S x S)

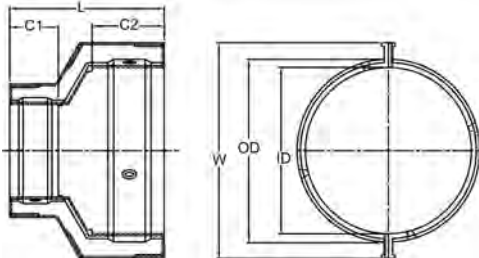
Maximum Gap: 5.50"

Size (inch)	Part No.	USD	Pack Qty	C (inch)	L (inch)	W (inch)	O.D. (inch)	I.D. (inch)
3	<b>4629-030E</b>	<b>105.70</b>	5	4.50	9.00	5.04	3.96	3.55
4	<b>4629-040E</b>	<b>108.81</b>	5	5.00	10.00	5.81	4.69	4.22
6	<b>4629-060E</b>	<b>156.48</b>	5	5.75	11.50	8.19	6.88	6.29



## Containment Coupling - Reducing, Split (S x S)

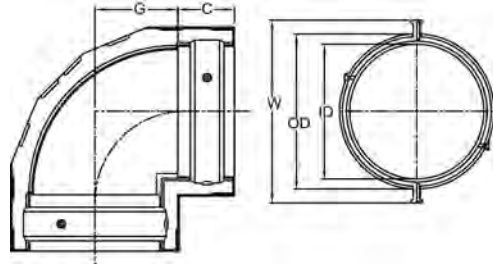
Size (inch)	Part No.	USD	Pack Qty	C1 (inch)	C2 (inch)	L (inch)	W (inch)	O.D. (inch)	I.D. (inch)
4 x 3	<b>4629-422</b>	<b>139.90</b>	1	2.75	2.00	5.13	5.81	4.69	3.88
6 x 4	<b>4629-532</b>	<b>196.89</b>	5	2.00	2.75	5.81	8.19	6.88	5.97





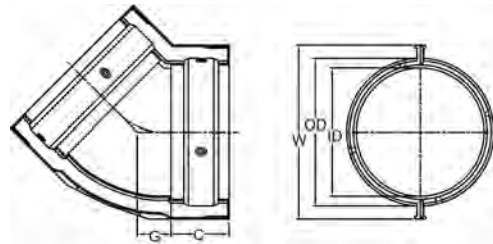
### Containment 90° Ell, Split (SxS)

Size (inch)	Part No.	USD	Pack Qty	C (inch)	G (inch)	W (inch)	O.D. (inch)	I.D. (inch)
3	<b>4606-030</b>	<b>124.35</b>	5	2.00	2.44	5.04	3.96	3.34
4	<b>4606-040</b>	<b>128.50</b>	5	2.00	2.44	5.81	4.69	3.88
6	<b>4606-060</b>	<b>196.89</b>	5	2.75	3.38	8.19	6.88	5.97



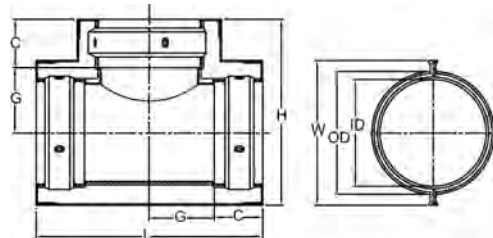
### Containment 45° Ell, Split (S x S)

Size (inch)	Part No.	USD	Pack Qty	C (inch)	G (inch)	W (inch)	O.D. (inch)	I.D. (inch)
3	<b>4617-030</b>	<b>124.35</b>	5	2.00	2.00	5.04	3.96	3.34
4	<b>4617-040</b>	<b>128.50</b>	5	2.00	1.00	5.81	4.69	3.88
6	<b>4617-060</b>	<b>196.89</b>	5	2.75	1.75	8.19	6.88	5.97



### Containment Tee, Split (S x S x S)

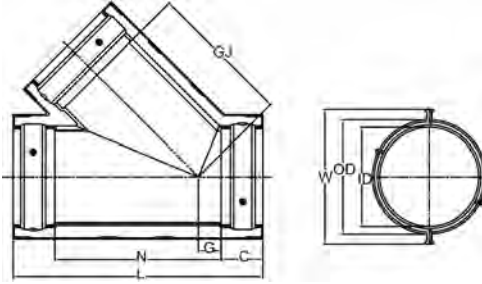
Part No.	USD	Size (inch)	C (inch)	G (inch)	H (inch)	L (inch)	W (inch)	O.D. (inch)	I.D. (inch)	Pack Qty
<b>4601-030</b>	<b>145.08</b>	3	2.00	2.00	6.50	8.00	5.04	3.96	3.34	5
<b>4601-040</b>	<b>149.22</b>	4	2.00	2.40	7.20	8.65	5.81	4.70	3.88	5
<b>4601-060</b>	<b>215.54</b>	6	2.75	3.50	10.25	12.50	8.19	6.85	5.97	5





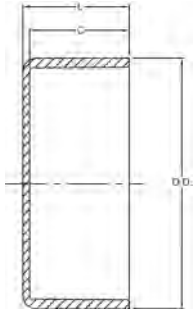
**Containment 45° Wye, Split (S x S x S)**

Size (inch)	Part No.	USD	Pack Qty	C (inch)	G (inch)	GJ (inch)	L (inch)	N (inch)	W (inch)	O.D. (inch)	I.D. (inch)
4	<b>4683-040</b>	<b>196.89</b>	5	2.00	0.75	5.88	11.00	7.13	5.81	4.69	3.88
6	<b>4683-060</b>	<b>282.90</b>	5	2.75	1.81	7.75	15.19	9.75	8.19	6.88	5.97



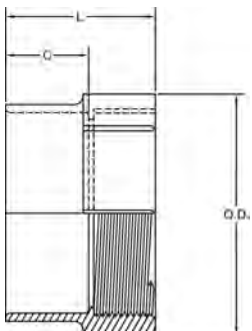
**Containment Cap, One Piece (S)**

Size (inch)	Part No.	USD	Pack Qty	C (inch)	L (inch)	O.D. (inch)
4	<b>4647-040</b>	<b>80.31</b>	5	1.75	1.94	4.50
6	<b>4647-060</b>	<b>118.13</b>	5	2.75	3.19	6.75



**Containment Female Adapter, One Piece (S x FPT)**

Size (inch)	Part No.	USD	Pack Qty	C (inch)	L (inch)	O.D. (inch)
4	<b>4635-040</b>	<b>98.13</b>	5	1.75	3.18	5.00
6	<b>4635-060</b>	<b>149.22</b>	5	3.00	5.00	6.75





### Plug, One Piece (MPT)

Size (inch)	Part No.	USD	Pack Qty
4	4650-040	80.31	5
6	4650-060	118.13	5



### Adapter Sleeve, One Piece

- 3"x3" (IPS S x S)
- 4"x4" and 6"x6" (IPS SPG x S)

Size (inch)	Part No.	USD	Pack Qty
3 x 3	4687-030	75.54	10
4 x 4	4687-040	80.31	10
6 x 6	4687-060	118.13	10



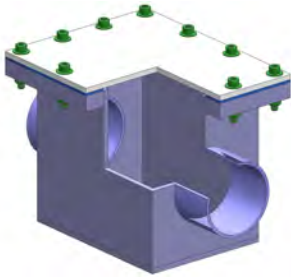
### Containment PPFR Floor Drain, One Piece (IPS Spg x MPT)

For use with Fuseal primary piping only.  
Must use 4635-060 for Contain-It transition.

Size (inch)	Part No.	USD
3 x 6	* 46104-530	Call
4 x 6	* 46104-532	Call

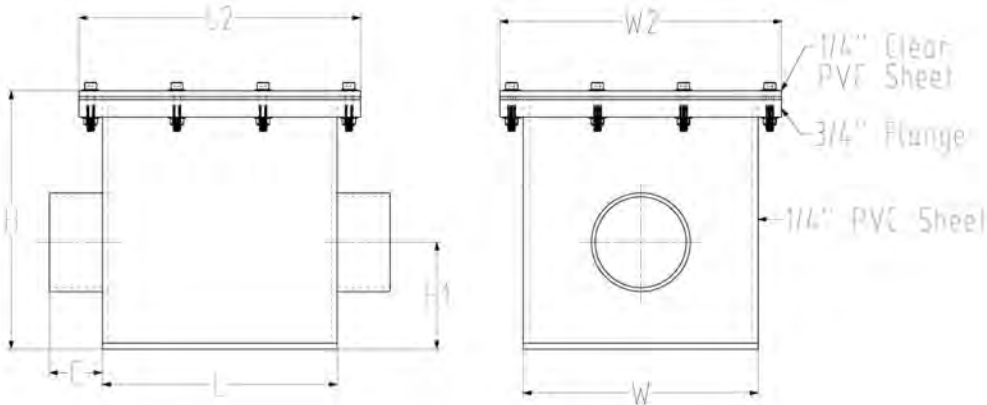


# Contain-It Valve Box



Valve Box Not Pressure Rated. Pressure Testing Not Recommended.

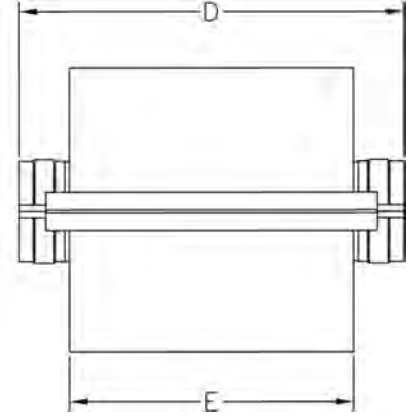
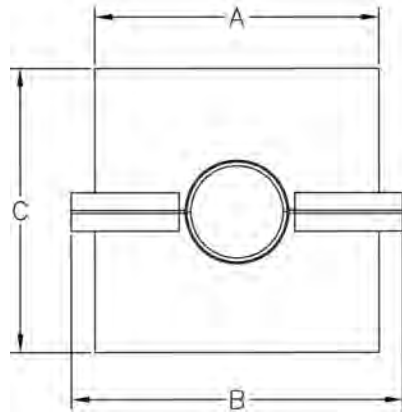
Size (inch)	Part No.	USD	W (inch)	H (inch)	H1 (inch)	C (inch)	L (inch)	L2 (inch)	W2 (inch)
3	* 150 991 104	1,233.16	10	8	3.46	2.25	8	10	8
4	* 150 991 105	1,422.80	10	11	4.56	2.25	10	12	12
6	* 150 991 106	1,820.73	18	15	6.17	3.00	18	20	20



# Contain-It Flange Box

Flange Box Not Pressure Rated. Pressure Testing Not Recommended.

Size (inch)	Part No.	USD	A (inch)	B (inch)	C (inch)	D (inch)	E (inch)
3	* 150 991 100	1,108.81	10.0	12.0	10.3	14.3	10.0
4	* 150 991 101	1,279.79	12.0	14.0	12.0	16.5	12.0
6	* 150 991 102	1,639.38	12.0	14.0	12.0	16.5	12.0

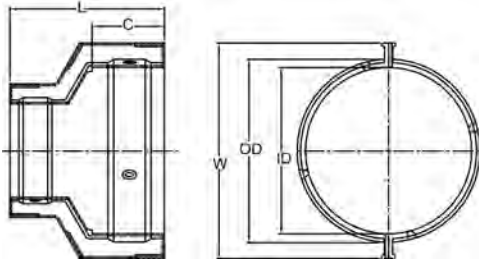


# Contain-It Terminations



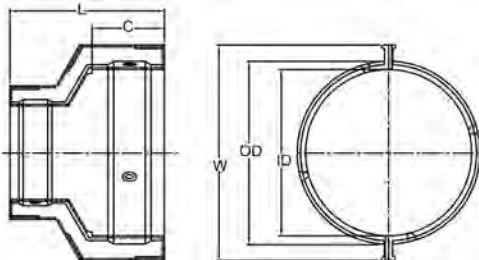
## Termination Fitting - Rigid PVC, Split (S to IPS)

Size (inch)	Part No.	USD	C (inch)	L (inch)	W (inch)	O.D. (inch)	I.D. (inch)
3 x 1/2	* 4628-333	155.44	2.00	4.38	5.04	3.96	3.34
3 x 3/4	* 4628-334	155.44	2.00	4.38	5.04	3.96	3.34
3 x 1	* 4628-335	155.44	2.00	4.38	5.04	3.96	3.34
3 x 1 1/4	* 4628-336	155.44	2.00	4.38	5.04	3.96	3.34
3 x 1 1/2	* 4628-337	155.44	2.00	4.38	5.04	3.96	3.34
3 x 2	* 4628-338	155.44	2.00	4.38	5.04	3.96	3.34
4 x 1/2	* 4628-415	165.80	2.00	4.44	5.81	4.69	3.88
4 x 3/4	* 4628-416	165.80	2.00	4.44	5.81	4.69	3.88
4 x 1	* 4628-417	165.80	2.00	4.44	5.81	4.69	3.88
4 x 1 1/4	* 4628-418	165.80	2.00	4.44	5.81	4.69	3.88
4 x 1 1/2	4628-419	165.80	2.00	4.44	5.81	4.69	3.88
4 x 2	4628-420	165.80	2.00	4.44	5.81	4.69	3.88
6 x 2	* 4628-528	Call	2.75	5.81	8.19	6.88	5.97
6 x 2 1/2	* 4628-529	238.34	2.75	5.81	8.19	6.88	5.97
6 x 3	4628-530	238.34	2.75	5.81	8.19	6.88	5.97
6 x 4	4628-532	238.34	2.75	5.81	8.19	6.88	5.97



## Test Termination Fitting (with 1/8" NPT Schrader Test Valve) - Rigid PVC, Split (S to IPS)

Size (inch)	Part No.	USD	C (inch)	L (inch)	W (inch)	O.D. (inch)	I.D. (inch)
4 x 1	* 4628-417T	173.06	2.00	4.44	5.81	4.69	3.88
4 x 2	4628-420T	173.06	2.00	4.44	5.81	4.69	3.88
6 x 3	* 4628-530T	245.60	2.75	5.81	8.19	6.88	5.97
6 x 4	4628-532T	245.60	2.75	5.81	8.19	6.88	5.97





### Termination Fitting - Flexible Alcryn, One Piece

Contain-It to IPS/Metric

Size (inch)	Size	Part No.	USD
3 x 1/2	20	4628-333A	95.13
3 x 3/4	25	4628-334A	95.13
3 x 1	32	4628-335A	95.13
3 x 1 1/4	40	4628-336A	95.13
3 x 1 1/2	50	4628-337A	95.13
3 x 2	63	4628-338A	95.13
4 x 1/2	20	4628-415A	98.13
4 x 3/4	25	4628-416A	98.13
4 x 1	32	4628-417A	98.13
4 x 1 1/4	40	4628-418A	98.13
4 x 1 1/2	50	4628-419A	98.13
4 x 2	63	4628-420A	98.13
6 x 2 1/2	75	4628-529A	290.16
6 x 3	90	4628-530A	290.16
6 x 4	110	4628-532A	290.16



### Test Termination Fitting - Flexible Alcryn, One Piece (with 1/8" NPT Schrader Test Valve)

Contain-It to IPS/Metric

Size (inch)	Size	Part No.	USD
3 x 1/2	20	4628-333AT	102.38
3 x 3/4	25	4628-334AT	102.38
3 x 1	32	4628-335AT	102.38
3 x 1 1/4	40	4628-336AT	102.38
3 x 1 1/2	50	4628-337AT	102.38
3 x 2	63	4628-338AT	102.38
4 x 1/2	20	4628-415AT	105.70
4 x 3/4	25	4628-416AT	105.70
4 x 1	32	4628-417AT	105.70
4 x 1 1/4	40	4628-418AT	105.70
4 x 1 1/2	50	4628-419AT	105.70
4 x 2	63	4628-420AT	105.70
6 x 2 1/2	75	4628-529AT	297.41
6 x 3	90	4628-530AT	297.41
6 x 4	110	4628-532AT	297.41



### Termination Fitting - Flexible Alcryn, One Piece

Contain-It to Copper Tube Size

Size (inch)	Part No.	USD
3 x 1/2	4628-333AC	95.13
3 x 3/4	4628-334AC	95.13
3 x 1	4628-335AC	95.13
3 x 1 1/4	4628-336AC	95.13
3 x 1 1/2	4628-337AC	95.13
3 x 2	4628-338AC	95.13
4 x 1/2	4628-415AC	98.13
4 x 3/4	4628-416AC	98.13
4 x 1	4628-417AC	98.13
4 x 1 1/4	4628-418AC	98.13
4 x 1 1/2	4628-419AC	98.13
4 x 2	4628-420AC	98.13
6 x 2	4628-528AC	261.14
6 x 2 1/2	4628-529AC	290.16
6 x 3	4628-530AC	290.16
6 x 4	4628-532AC	290.16



### Test Termination Fitting - Flexible Alcryn, One Piece (with 1/8" NPT Schrader Test Valve)

Contain-It to Copper Tube Size

Size (inch)	Part No.	USD
3 x 1/2	4628-333ATC	102.38
3 x 3/4	4628-334ATC	102.38
3 x 1	4628-335ATC	102.38
3 x 1 1/4	4628-336ATC	102.38
3 x 1 1/2	4628-337ATC	102.38
3 x 2	4628-338ATC	102.38
4 x 1/2	4628-415ATC	105.70
4 x 3/4	4628-416ATC	105.70
4 x 1	4628-417ATC	105.70
4 x 1 1/4	4628-418ATC	105.70
4 x 1 1/2	4628-419ATC	105.70
4 x 2	4628-420ATC	105.70
6 x 2	4628-528ATC	268.39
6 x 2 1/2	4628-529ATC	297.41
6 x 3	4628-530ATC	297.41
6 x 4	4628-532ATC	297.41

# Contain-It Centralizers



## Centralizer (Contain-It x IPS)

Size (inch)	d (inch)	Part No.	USD	Pack Qty
3 x 1/2		* 4686-333	49.02	25
3 x 3/4		* 4686-334	49.02	25
3 x 1		* 4686-335	49.02	25
3 x 1 1/4		* 4686-336	49.02	25
3 x 1 1/2		* 4686-337	49.02	25
3 x 2		* 4686-338	49.02	25
4 x 1/2		* 4686-415	50.57	25
4 x 3/4		* 4686-416	50.57	25
4 x 1		* 4686-417	22.38	25
4 x 1 1/4		* 4686-418	50.57	25
4 x 1 1/2		* 4686-419	22.38	25
4 x 2		* 4686-420	22.38	25
6 x 1/2		4686-523	Call	25
6 x 3/4		4686-524	Call	25
6 x 1		4686-525	Call	25
6 x 1 1/4		4686-526	Call	25
6 x 1 1/2		4686-527	Call	25
6 x 2		4686-528	Call	25
6 x 2 1/2		* 4686-529	68.39	25
6 x 3		* 4686-530	29.74	25
6 x 4		* 4686-532	29.74	25
6 x 1/2	Twin	* 4686-811	165.80	5
6 x 3/4	Twin	* 4686-813	165.80	5
6 x 1	Twin	* 4686-815	165.80	5



## Centralizer (Contain-It x Copper Tube Size)

Size (inch)	Part No.	USD	Pack Qty
3 x 1/2	* 4686-333C	49.02	10
3 x 3/4	* 4686-334C	49.02	10
3 x 1	* 4686-335C	49.02	10
3 x 1 1/4	* 4686-336C	49.02	10
3 x 1 1/2	* 4686-337C	49.02	10
3 x 2	* 4686-338C	49.02	10
4 x 1/2	* 4686-415C	50.57	10
4 x 3/4	* 4686-416C	50.57	10
4 x 1	* 4686-417C	50.57	10
4 x 1 1/4	* 4686-418C	50.57	10
4 x 1 1/2	* 4686-419C	50.57	10
4 x 2	* 4686-420C	50.57	10
6 x 2	* 4686-528C	68.39	10
6 x 2 1/2	* 4686-529C	68.39	10
6 x 3	* 4686-530C	68.39	10
6 x 4	* 4686-532C	68.39	10



**Centralizer (Contain-It x Metric)**

Size (inch)	d (inch)	Part No.	USD	Pack Qty
3 x 20		* 4686-707	49.02	10
3 x 25		* 4686-708	49.02	10
3 x 32		* 4686-709	49.02	10
3 x 40		* 4686-710	49.02	10
3 x 50		* 4686-711	49.02	10
4 x 20		* 4686-712	50.57	25
4 x 25		* 4686-713	50.57	25
4 x 32		* 4686-714	50.57	25
4 x 40		* 4686-715	50.57	25
4 x 50		* 4686-716	50.57	25
4 x 63		* 4686-717	50.57	25
6 x 75		* 4686-719	68.39	25
6 x 90		* 4686-720	68.39	25
6 x 110		* 4686-721	68.39	25
6 x 20	Twin	* 4686-812	165.80	5
6 x 25	Twin	* 4686-814	165.80	5
6 x 32	Twin	* 4686-816	165.80	5

# Contain-It Accessories



## Fitting Clip

Size (inch)	Part No.	USD	Pack Qty
3, 4 & 6	* 4693-101	0.73	25



## Pipe Clamp

Size (inch)	Part No.	USD
4 & 6	* 4693-102	602.07



## Drill Bits

Size (inch)	Part No.	USD
3 & 4	* 4693-104	74.30
6	* 4693-106	149.22



## Test Gauge

Do Not Exceed 5 PSI Air Pressure

Size (inch)	Part No.	USD
3, 4 & 6	* 4693-150	76.37



# System III



## Manual Injection Gun - System III

- Available March 1, 2017
- Mixing Tips not included

d (inch)	Part No.	USD
3, 4 & 6	* 4694-600	675.65



## Pneumatic Injection Gun - System III

- Available March 1, 2017
- Mixing Tips not included

d (inch)	Part No.	USD
3, 4 & 6	* 4694-601	1,855.96



## Adhesive Cartridge - System III

- Available March 1, 2017
- Price is for each cartridge
- Limited Shelf Life of 12 Months
- Mixing Tips not included

d (inch)	Part No.	USD	Pack Qty
3, 4 & 6	* 4694-602	67.36	4



## Mixing Tips - System III

- Available March 1, 2017

Description	Part No.	USD	Pack Qty
Straight	* 4694-603	8.60	10
Bent	* 4694-607	23.11	10
Flexible	* 4694-606	40.21	10



## Injection Gun Conversion Kits - System III

- Available March 1, 2017
- Converts System II Injection Gun to System III

Description	Part No.	USD
Manual	* 37X004820	141.97
Pneumatic	* 37X004821	187.56

# Leak Detection

A



## Low Point Leak Detection Alarm Box

- Visual alarm indicators
- Powered on lithium batteries
- Alarm box does not include sensors
- No output option

Description	Part No.	USD
4 Sensor Signal Leak Detection Alarm Box	* 150 240 001	1,691.19

A



## Low Point Leak Detection System

- 12 point leak detection system
- 14" x 12" NEMA 4 Enclosure with locking latches.
- Internal fusible breaker for power protection.
- (12) Red LED indicators for leak detection at a specific points.
- RS485 Communications for building automation.
- Alarm output terminals for remote alarm indication.
- Optional audible alarm available.
- Other options available upon request.

Description	Part No.	USD
12 Point Leak Detection System	* 150 000 060	Call

A



## Continuous Cable Leak Detection System

- Dimensions: 13.75" x 11.81" x 4.00" (350mm x 300mm x 102mm) Type 12 (IP52)
- Power: 110-240VAC, 50/60 Hz, 0.3 A/50 VA 24 VDC, 1 A/24 VA
- Accepts probe and cable sensors in one sensor string

	Maximum Cable Range (ft)	Cable Capacity	Part No.	USD
*	3000	1	* 150 000 061	Call
*	7500	1	* 150 000 064	Call
*	7500	4	* 150 000 065	Call

# System III Adhesive Requirements

System III Contain-It™ Cartridge	Fittings/Pipe	# of Sockets/Tube
1 cartridge	3" fittings	14
1 cartridge	4" fittings	12
1 cartridge	6" fittings	9
1 cartridge	3" pipe	20 ft. length, both sides
1 cartridge	4" pipe	17 ft. length, both sides
1 cartridge	6" pipe	9 ft. length, both sides

## System III Adhesive Cartridge Requirements Calculation

This table is designed to assist in the accurate determination of the number of System III adhesive cartridges required for a specific project.

<b>Fittings</b>		
Quantity of 3" Tees and Wyes	_____ × 3 = _____	
Quantity of 3" Fittings (other than tees and wyes)	_____ × 2 = _____	
		_____ /14 = _____
Quantity of 4" Tees and Wyes	_____ × 3 = _____	
Quantity of 4" Fittings (other than tees and wyes)	_____ × 2 = _____	
		_____ /12 = (+) _____
Quantity of 6" Tees and Wyes	_____ × 3 = _____	
Quantity of 6" Fittings (other than tees and wyes)	_____ × 2 = _____	
		_____ /9 = (+) _____
<b>Split Pipe</b>		
_____ Feet 3" Split Pipe/20 (1 cartridge will fill 20 ft., both sides)		= (+) _____
_____ Feet 4" Split Pipe/17 (1 cartridge will fill 17 ft., both sides)		= (+) _____
_____ Feet 6" Split Pipe/9 (1 cartridge will fill 9 ft., both sides)		= (+) _____
<b>TOTAL CARTRIDGES</b>		_____