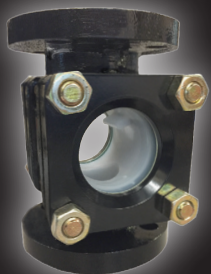
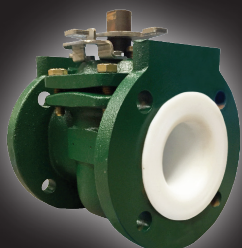


# ChemTite® PFA Lined FULL PORT BALL VALVES For Severe Duty



**Bubble-Tight  
GUARANTEED!**

## FEATURES

- Bubble-Tight Design
- One Piece Ball & Stem
- Heavy Duty PFA Liner Resists Cracking
- Dovetail Locking Grooves for PFA Retention
- Size Range: 1/2" to 6" (Full Port Design)
- Pressure Rating: Full Vacuum to 250 psi (17.23 bar)
- Operating Temperature: (-)20°F to (+)400°F
- Anti-Blowout Stem
- ASME B16.10 with ISO 5211 Mounting Pad
- Lockable Handle and Static Ground Spring
- Resistant To:
  - All acids
  - All solvents
  - All bleach solutions
  - All phenols
  - All caustics
  - All peroxides
  - All organic and inorganic chlorides & sulfates

## THE ORIGINAL IN THE USA

Since 1931, Hills-McCanna® has earned a reputation for innovative products that serve demanding applications better than before. Today, the Hills-McCanna® legacy continues with the ChemTite® series. ChemTite® products are built with American quality for peace of mind and dependability in tough chemical applications.



*Designed, Engineered,  
Fluoropolymer Lined and  
Assembled in the USA!*

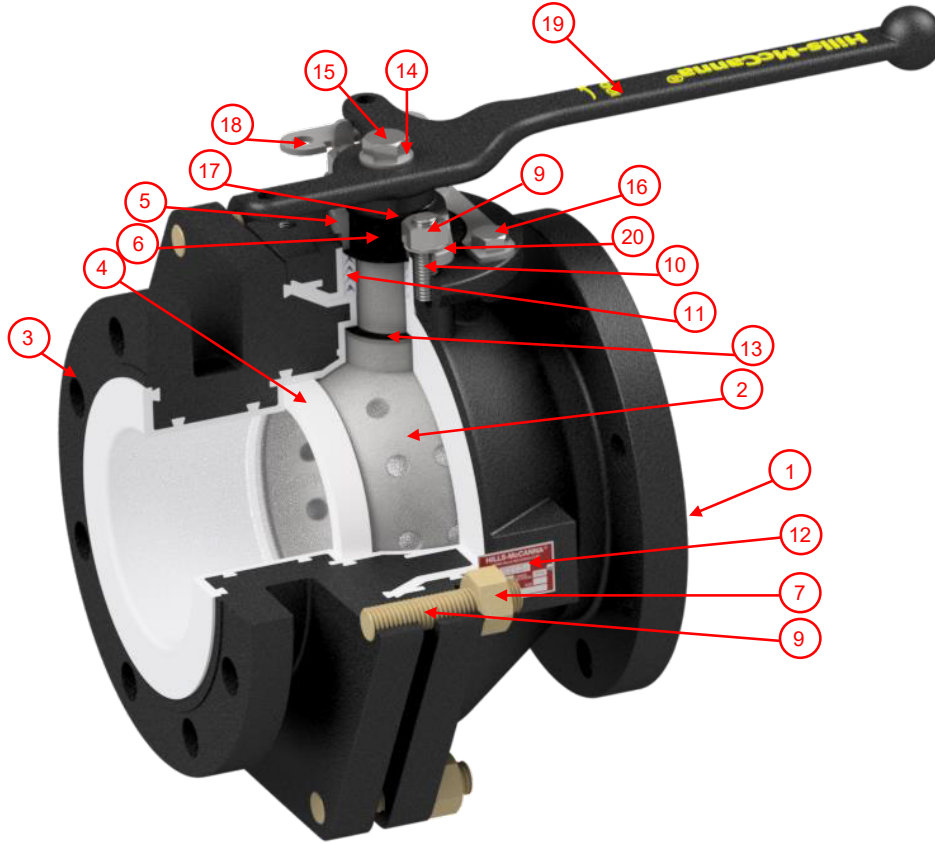


Phone: (616)554-3900  
Fax: (616)554-9308

# ChemTite®

## FULL PORT BALL VALVES

PFA Lined  
For Severe Duty



### Parts List

ITEM	QTY	DESCRIPTION	MATERIAL
1	1	VALVE BODY	PFA LINED ASTM A395 DCI
2	1	BALL/STEM COMBO	PFA LINED ASTM A995, CD4MCuN S.S.
3	1	SIDE PIECE	PFA LINED ASTM A395 DCI
4	2	SEAT	VIRGIN PTFE
5	1	PACKING GLAND	ASTM A351, GRADE CF8 S.S.
6	1	RADIAL BEARING	PTFE / GRAPHITE
7	4 OR 6	BODY HEX NUT	ASTM A194, YELLOW ZINC PLATED GR.2H
8	4 OR 6	BODY STUD	ASTM A193, YELLOW ZINC PLATED GR.B7
9	2	PACKING HEX NUT	18-8 STAINLESS STEEL
10	2	PACKING STUD	304 STAINLESS STEEL
11	1	V-PACKING	VIRGIN PTFE
12	1	NAME PLATE	STAINLESS STEEL
13	1	THRUST BEARING	PTFE/GRAPHITE
14	1	WASHER	304 STAINLESS STEEL
15	1	WRENCH HEX BOLT	316 STAINLESS STEEL
16	2	WRENCH HEX BOLT	18-8 STAINLESS STEEL
17	1	GROUNDING SPRING	18-8 STAINLESS STEEL
18	1	WRENCH STOP PLATE	304 STAINLESS STEEL
19	1	WRENCH HANDLE	ASTM A395 DCI
20	2	INTERNAL TOOTH LOCK WASHER	18-8 STAINLESS STEEL

### Cv Data

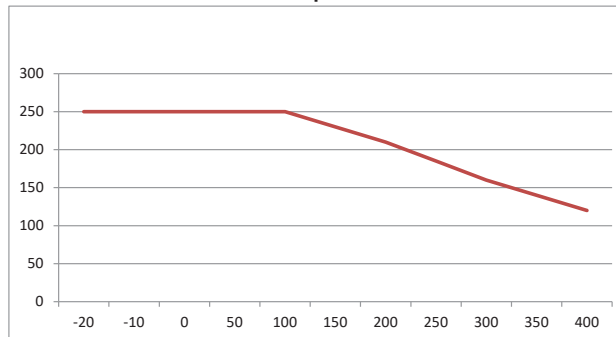
VALVE SIZE	FULL OPEN Cv
1/2"	C/F
3/4"	C/F
1"	55
1-1/2"	160
2"	275
3"	675
4"	1520
6"	3350

### Actuator Sizing

VALVE SIZE	TORQUES @ 150 PSI	TORQUES @ 250 PSI
1/2"	*C/F	*C/F
3/4"	*C/F	*C/F
1"	85 in. - lbs	90 in. - lbs
1-1/2"	140 in. - lbs	170 in. - lbs
2"	265 in. - lbs	305 in. - lbs
3"	525 in. - lbs	615 in. - lbs
4"	795 in. - lbs	1100 in. - lbs
6"	2150 in. - lbs	2300 in. - lbs

\*Consult Factory

### Pressure / Temperature Curve



Phone: (616)554-3900  
Fax: (616)554-9308

**Hills-McCanna®**

an ANDRONACO INDUSTRIES company

4855 Broadmoor Ave, Kentwood, Michigan 49512

www.hills-mccanna.com

Hills-McCanna® information is based on technical data and testing that Hills-McCanna® believes to be reliable and is subject to change without notice. The information is intended for use by persons having technical skill, and at their own discretion and risk. Since conditions of product are outside of Hills-McCanna® control, Hills-McCanna® makes no warranties, express or implied, and assumes no liability in connection with any use of this information. Hills-McCanna® is a registered trademark of Hills-McCanna, LLC.

**ChemTite®**  
**BUBBLE-TIGHT**  
**GUARANTEED!**