

Series 765

Bidirectional Slurry Valve



Bray / VAAS®

2"-24" (50-600mm) 150psi (10bar)

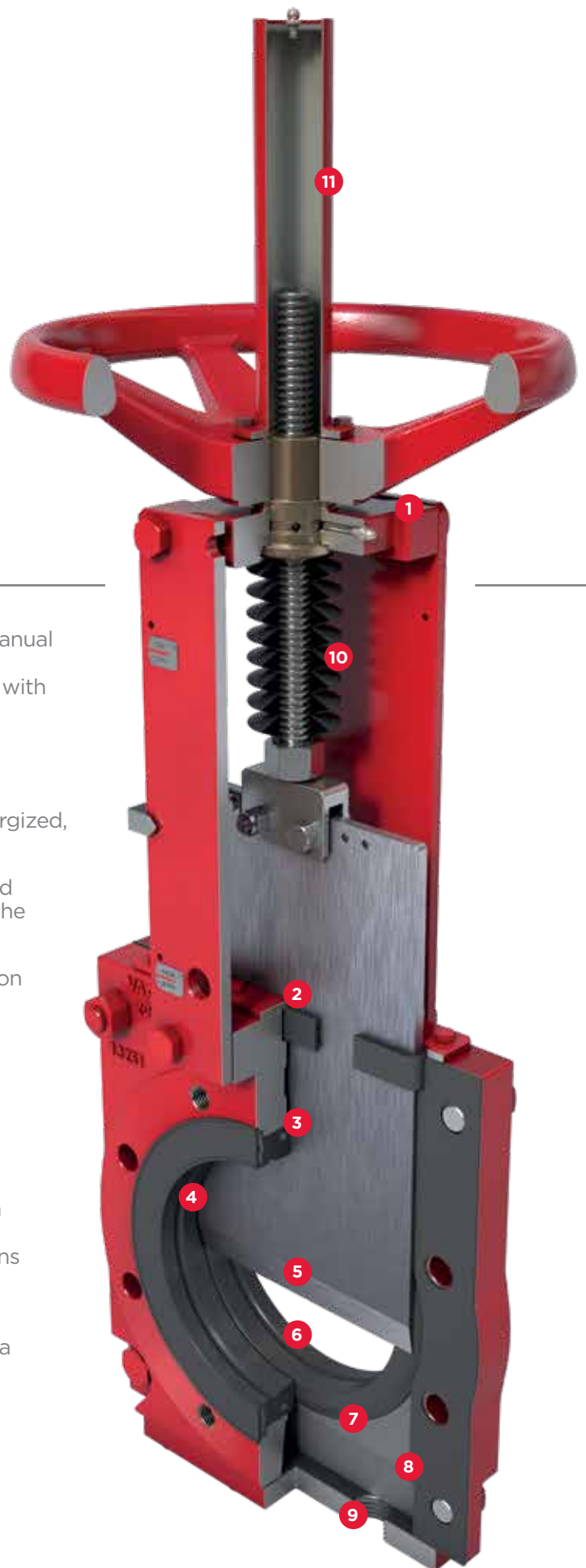
Series 765

Bidirectional Slurry Valve

The Bray/VAAS Series 765 is a bidirectional slurry valve, designed for demanding slurry applications. Twin elastomer seats and push-through gate design facilitate self-cleaning and prevent media build up.

The durable ductile iron body is offered in a compact wafer style. When fully open, the valve bore offers no resistance to line media.

- 1 Designed for easy, quick conversion between manual and pneumatic actuation. Featuring a lubricant injection port for continuous, smooth operation with minimal maintenance.
- 2 Secondary wiper seal extends gate life and prevents discharge from top of valve.
- 3 Metal-reinforced, elastomer sleeves provide energized, zero leakage shutoff in both directions.
- 4 In the open position, the energized sleeves shield all metal components from direct contact with the flowing process media.
- 5 Robust gate available in a wide range of corrosion resistant alloys to suit the application.
- 6 Unrestricted flow path with minimal pressure drop achieved through full port valve design for extended sleeve life.
- 7 Ample clearance for push-through allows complete gate closure.
- 8 Compact wafer body allows for easy installation and is drilled and tapped to ASME B16.5 CL150 flange patterns as standard. Other drilling options available upon request.
- 9 Drain plate with tapped purge ports provided as standard, allowing for safe discharge of media and easy flush water connection.
- 10 Protective rod boot/stem cover is standard on all sizes.
- 11 Upper stem protection is standard on all sizes.



Standard Construction

Body	Gate	Seat	Stem	Wiper Support	Wiper	Topworks
DI	304	Nat. Rubber	304	CS	EPDM	Steel

Body Options

Carbon Steel (WCB)
CF8 Stainless Steel
CF8M Stainless Steel
CF3M Stainless Steel
SAF 2205 Duplex
SAF 2507 Duplex

Gate Options

316, 317 Stainless Steel
SAF 2507 Duplex
SAF 2205 Duplex
17-4PH Stainless Steel
Hastelloy® C
Monel®

Additional material options may be available upon request. Consult factory for availability.

Actuator Options

Direct Mounted
Handwheel - Standard (2"-10")
Bevel Gear - Standard (12"-24")
Pneumatic
Hydraulic
Electric

Seat Options

Nat. Rubber	-60°-165°F/-51°-74°C
EPDM	-65°-248°F/-54°-120°C

Specifications & Standards

Size Range	2" to 24" (50 - 600mm)
Pressure Rating	150psi (10bar)
Body Style	Two-piece bolted (Wafer)

Design	Manufacturer Standard
Testing	MSS SP-81
Face-to-face	MSS SP-81
Certification	Canadian CRN
Drilling*	ASME B16.5 CL150

*Additional drilling options available. Consult factory for availability.

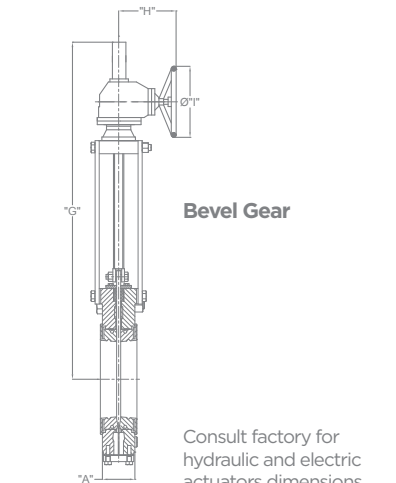
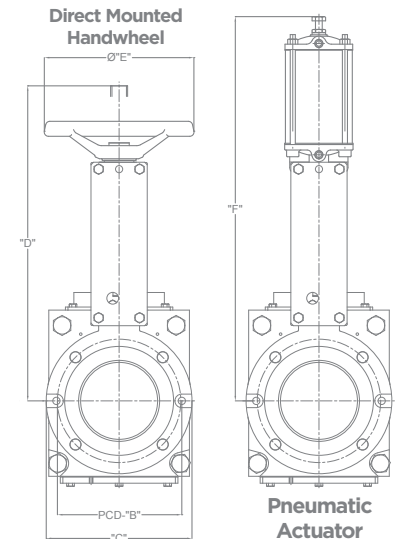
Dimensions

In. (mm)	A	B	C	D	E	F	G	H	I
2 (50)	2.13 54	4.76 121	6.50 165	20.67 525	11.77 299	19.88 505	--	--	--
3 (80)	2.24 57	6.02 153	7.87 200	23.62 600	11.77 299	27.56 700	--	--	--
4 (100)	2.24 57	7.50 191	9.06 230	27.17 690	11.77 299	30.91 785	--	--	--
6 (150)	2.52 64	9.50 241	11.22 285	33.07 840	15.98 406	39.17 995	34.65 880	11.65 296	20.00 508
8 (200)	2.99 76	11.75 299	13.58 345	38.19 970	20.00 508	51.57 1310	46.85 1190	12.05 306	20.00 508
10 (250)	2.99 76	14.25 362	15.94 405	44.88 1140	20.00 508	51.57 1310	46.85 1190	12.05 306	20.00 508
12 (300)	3.27 83	17.01 432	19.09 485	--	--	59.76 1518	52.56 1335	12.05 306	20.00 508
14 (350)	3.27 83	18.74 476	21.06 535	--	--	64.17 1630	58.46 1485	12.05 306	20.00 508
16 (400)	3.74 95	21.26 540	23.62 600	--	--	73.23 1860	63.39 1610	12.99 330	20.00 508
18 (450)	3.78 96	22.76 578	25.51 648	--	--	75.98 1930	70.87 1800	12.99 330	20.00 508
20 (500)	4.76 121	25.00 635	28.15 715	--	--	80.71 2050	78.74 2000	13.46 342	20.00 508
24 (600)	4.76 121	29.50 749	33.07 840	--	--	96.06 2440	87.40 2220	13.46 342	20.00 508

Dimensions are approximate and subject to change. Consult factory for certified drawings. Face-to-face mentioned above are installed dimensions, add 1/4" to 1/2" (6mm to 13mm) for ease of installation.

Weights

Size	in mm	2 50	3 80	4 100	6 150	8 200	10 250	12 300	14 350	16 400	18 450	20 500	24 600
HANDWHEEL	lb kg	40 18	47 21.5	64 29	95 43	172 78	214 97	--	--	--	--	--	--
PNEUMATIC ACTUATOR	lb kg	62 28	77 35	93 42	123 56	265 120	302 137	463 210	582 264	739 335	787 357	1129 512	1444 655
GEAR OPERATOR	lb kg	--	--	--	--	--	265 120	320 145	423 192	562 255	628 285	728 330	1202 545



Bray International, Inc.
Houston, TX, USA +281.894.5454

Bray/VAAS India
Chennai +91.44.2496.1391

Benelux
Heerhugowaard +31.72.572.1410

Brazil
Paulinia Sp-Brazil +55.19.3517.6161

Canada
Montréal +514.344.2729

Chile
Santiago +56.2739.2966

China
Hangzhou, Zhejiang +86.571.828.52200

Colombia
Bogota +571.876.6084

France
Maubeuge +0033.3.27.59.41.89

Germany
Krefeld +49.2151.53360

India
Gujarat +91.2667.664444

Italy
Milano +39.02.9237.0196

Mexico
Zapopan, Jalisco +52.33.3836.4460

Middle East
Dubai +00971.0.4.887.6979

Pacific
Melbourne, Australia +613.9580.9755

Peru
Lima +511.251.0251

Poland
Oswiecim +48.33.842.1968

Russia
Moscow +7.495.36.36.222

Singapore
Ubi Techpark +65.6742.1428

South Africa
Sandton +27.10.007.3222

South Korea
Seoul +82.2.2190.3809

United Kingdom
Inchinnan +44.141.812.5199



Bray World Headquarters
Houston, TX - USA



Bray India



Bray/VAAS India

To find a distributor in your area visit us online at www.bray.com

All statements, technical information, and recommendations in this bulletin are for general use only. Consult Bray/VAAS representatives or factory for the specific requirements and material selection for your intended application. The right to change or modify product design or product without prior notice is reserved. Patents issued and applied for worldwide.
Bray® is a registered trademark of BRAY INTERNATIONAL, Inc. © 2015 Bray International. All rights reserved. V-6003_EL_765_2-2017