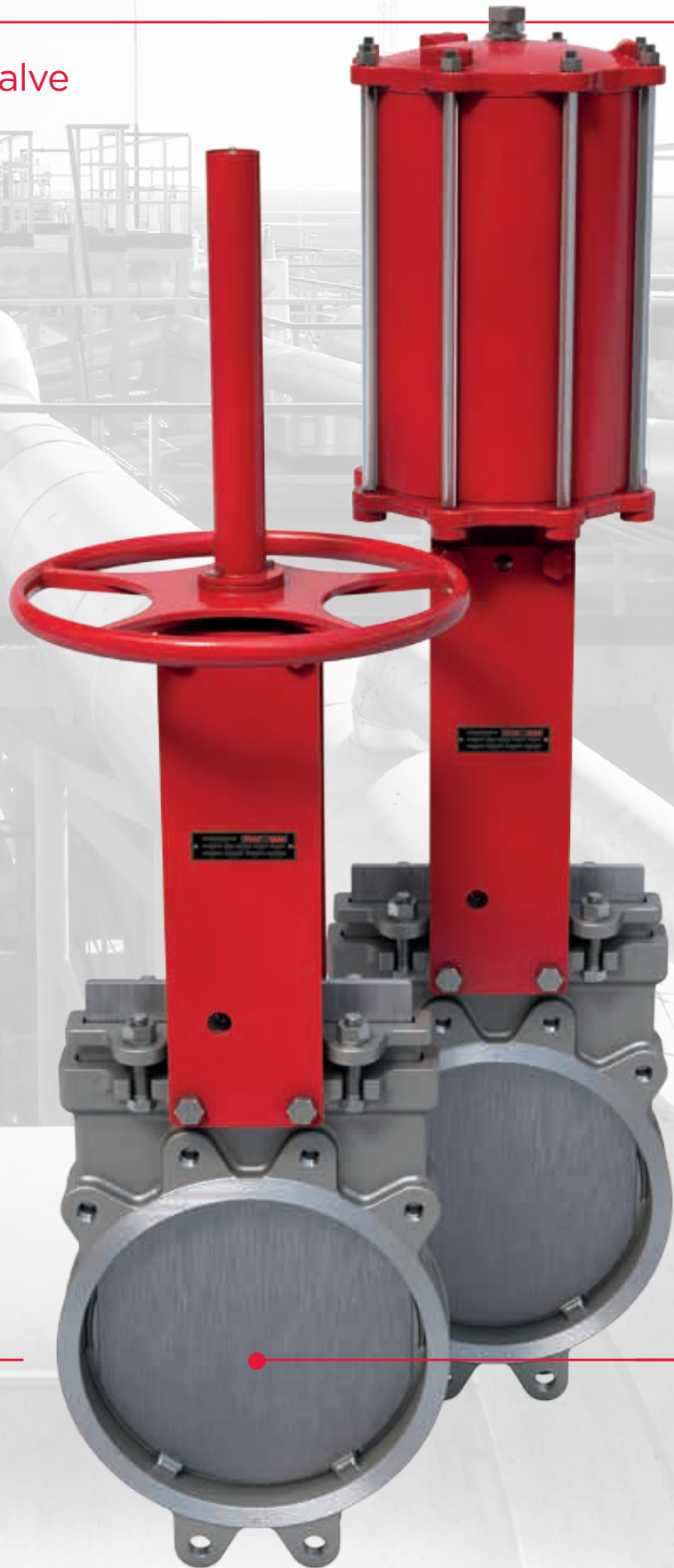


# Series 950

Unidirectional Knife Gate Valve



**Bray / VAAS®**

2"-24" (50-600mm) 150psi (10bar)  
30"-36" (750-900mm) 100psi (7bar)  
40" up to 60" (1000mm-1500mm)  
50 to 100psi (3 to 7bar)

# Series 950

## Unidirectional Knife Gate Valve

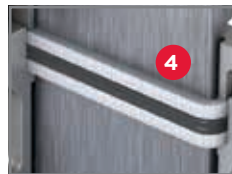
The Bray/VAAS Series 950's one-piece, cast body design offers rugged performance in applications ranging from general purpose to severe media handling in an economical semi-lug body.

Available with integral metal or replaceable soft seat, the Bray/VAAS Series 950 gate valve is easily automated for on/off applications.



Shown with stem cover (optional).

- 1 Designed for easy, quick conversion between manual and pneumatic actuation. Featuring a lubricant injection port for continuous, smooth operation with minimal maintenance.
- 2 Clevis design and horizontal bolting stabilizes gate ensuring proper alignment.
- 3 Standard multi-layer square packing provides exceptional gland sealing.
- 4 Optional energized quad seal packing for enhanced gland sealing.
- 5 Standard integral metal seat and optional replaceable zero leakage resilient seats.
- 6 Deflection resistant gate design ensures consistent alignment for industry leading durability.
- 7 Unique body design with no dead pockets enables self-draining of valve.



\* Shown with replaceable resilient seat (optional).

## Standard Construction

Body	Gate	Seat	Stem	Gland	Packing	Topworks
CF8	304	Integral	304	304	PTFE impregnated synthetic fiber	Steel
CF8M	316	Integral	304	304	PTFE impregnated synthetic fiber	Steel
WCB	304	Integral	304	304	PTFE impregnated synthetic fiber	Steel
Cl/DI	304	Integral	304	304	PTFE impregnated synthetic fiber	Steel

Lower pressure ratings apply for Cl/DI body in sizes above 12 in./300mm

## Actuator Options

Direct Mounted Handwheel
Standard
Bevel Gear
Pneumatic
Hydraulic
Electric

### Body Options

CF3M Stainless Steel
SAF 2205 Duplex
SAF 2507 Duplex

Additional material options may be available upon request. Consult factory for availability.

### Gate Options

316, 317 Stainless Steel
SAF 2507 Duplex
SAF 2205 Duplex
17-4PH Stainless Steel
Hastelloy® C
Monel®

### Seat Options

Buna-N	-35°-194°F/-37°-90°C
EPDM	-65°-248°F/-54°-120°C
Viton®	-15°-392°F/-26°-200°C
PTFE	-235°-450°F/-148°-232°C

### Packing Options

PTFE impregnated synthetic fiber	232°C/450°F
PTFE w/Buna-N Quad Seal	90°C/194°F
PTFE w/Viton® Quad Seal	200°C/392°F
Copper Wiper	500°C/932°F
Graphite	650°C/1202°F

## Specifications & Standards

Size Range	2"-60" (50-1500mm)
Pressure Rating	Up to 24" (600mm) 150psi (10bar) 30"-36" (750-900mm) 100psi (7bar) 40"-60" (1000-1600mm) 50-100 psi (3-7bar)
Body Style	One-piece (Wafer, Semi-lug)

Design	MSS SP-81
Testing	MSS SP-81
Face-to-face	MSS SP-81
Certification	CE/PED, Canadian CRN
Drilling*	ASME B16.5 CL150, ASME B16.47 CL150

\*Additional drilling options available. Consult factory for availability.

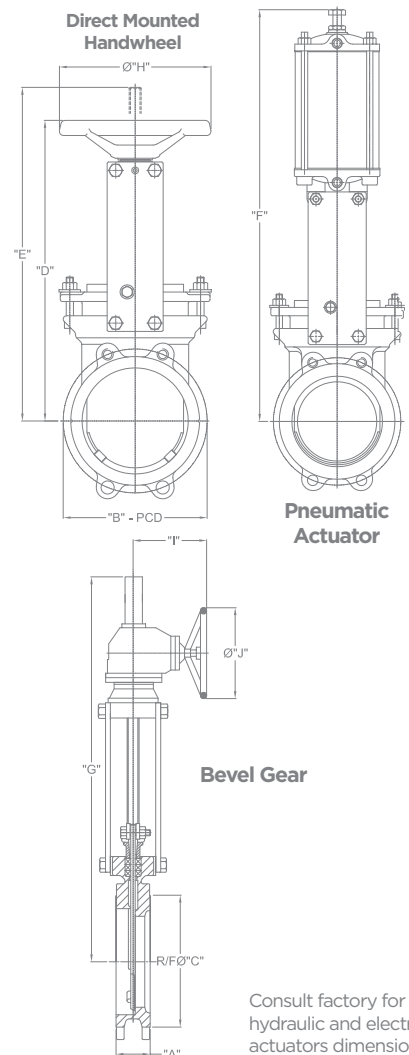
## Dimensions

in. (mm)	A	B	C	D	E	F	G	H	I	J
2 (50)	1.89 48	4.76 121	3.62 92	13.05 332	14.15 359	18.10 460	--	7.99 203	--	--
3 80	2.01 51	6.00 152	5.00 127	15.73 400	17.97 457	21.84 555	--	7.99 203	--	--
4 (100)	2.01 51	7.50 191	6.18 157	17.36 441	20.67 525	24.49 622	--	7.99 203	--	--
5 (125)	2.24 57	8.50 216	7.32 186	19.44 494	23.44 595	27.84 707	--	10.00 254	--	--
6 (150)	2.24 57	9.53 242	8.50 216	20.94 532	25.87 657	31.31 795	--	10.00 254	--	--
8 (200)	2.76 70	11.77 299	10.63 270	24.88 632	31.75 807	37.64 956	29.80 757	11.77 299	11.65 296	20.00 508
10 (250)	2.76 70	14.25 362	12.76 324	27.31 694	37.09 942	44.75 1137	35.12 892	15.98 406	11.65 296	20.00 508
12 (300)	2.99 76	17.01 432	14.76 375	30.70 780	42.50 1080	50.14 1274	41.06 1043	15.98 406	11.65 296	20.00 508
14 (350)	2.99 76	18.74 476	16.26 413	32.91 836	45.53 1157	52.54 1334	45.67 1160	20.00 508	12.05 306	20.00 508
16 (400)	3.50 89	21.26 540	18.50 470	36.26 921	50.59 1285	57.95 1472	49.61 1260	20.00 508	12.05 306	20.00 508
18 (450)	3.50 89	22.76 578	21.02 534	41.10 1044	57.44 1459	64.86 1647	57.80 1468	20.00 508	12.05 306	20.00 508
20 (500)	4.49 114	25.00 635	22.99 584	45.59 1158	63.60 1616	72.57 1843	63.27 1607	20.00 508	12.05 306	20.00 508
24 (600)	4.49 114	29.53 750	27.24 692	53.31 1354	75.63 1921	84.38 2143	74.92 1903	20.00 508	12.05 306	20.00 508

Dimensions are approximate and subject to change. Consult factory for certified drawings.

## Weights

Size	In mm	2 50	3 80	4 100	5 125	6 150	8 200	10 250	12 300	14 350	16 400	18 450	20 500	24 600
HANDWHEEL	lb	20	29	35	53	55	79	132	176	254	324	408	573	672
	kg	9	13	16	24	25	36	60	80	115	147	185	260	305
PNEUMATIC ACTUATOR	lb	35	44	55	84	88	132	220	324	419	496	584	805	937
	kg	16	20	25	38	40	60	100	147	190	225	265	365	425
GEAR OPERATOR	lb	--	--	--	--	--	99	179	198	298	397	463	650	772
	kg	--	--	--	--	--	45	80	90	135	180	210	295	350





**Bray International, Inc.**  
Houston, TX, USA +281.894.5454

**Bray/VAAS India**  
Chennai +91.44.2496.1391

**Benelux**  
Heerhugowaard +31.72.572.1410

**Brazil**  
Paulinia Sp-Brazil +55.19.3517.6161

**Canada**  
Montréal +514.344.2729

**Chile**  
Santiago +56.2739.2966

**China**  
Hangzhou, Zhejiang +86.571.828.52200

**Colombia**  
Bogota +571.876.6084

**France**  
Maubeuge +0033.3.27.59.41.89

**Germany**  
Krefeld +49.2151.53360

**India**  
Gujarat +91.2667.664444

**Italy**  
Milano +39.02.9237.0196

**Mexico**  
Zapopan, Jalisco +52.33.3836.4460

**Middle East**  
Dubai +00971.0.4.887.6979

**Pacific**  
Melbourne, Australia +613.9580.9755

**Peru**  
Lima +511.251.0251

**Poland**  
Oswiecim +48.33.842.1968

**Russia**  
Moscow +7.495.36.36.222

**Singapore**  
Ubi Techpark +65.6742.1428

**South Africa**  
Sandton +27.10.007.3222

**South Korea**  
Seoul +82.2.2190.3809

**United Kingdom**  
Inchinnan +44.141.812.5199



**Bray World Headquarters**  
Houston, TX - USA



**Bray India**



**Bray/VAAS India**

To find a distributor in your area visit us online at [www.bray.com](http://www.bray.com)