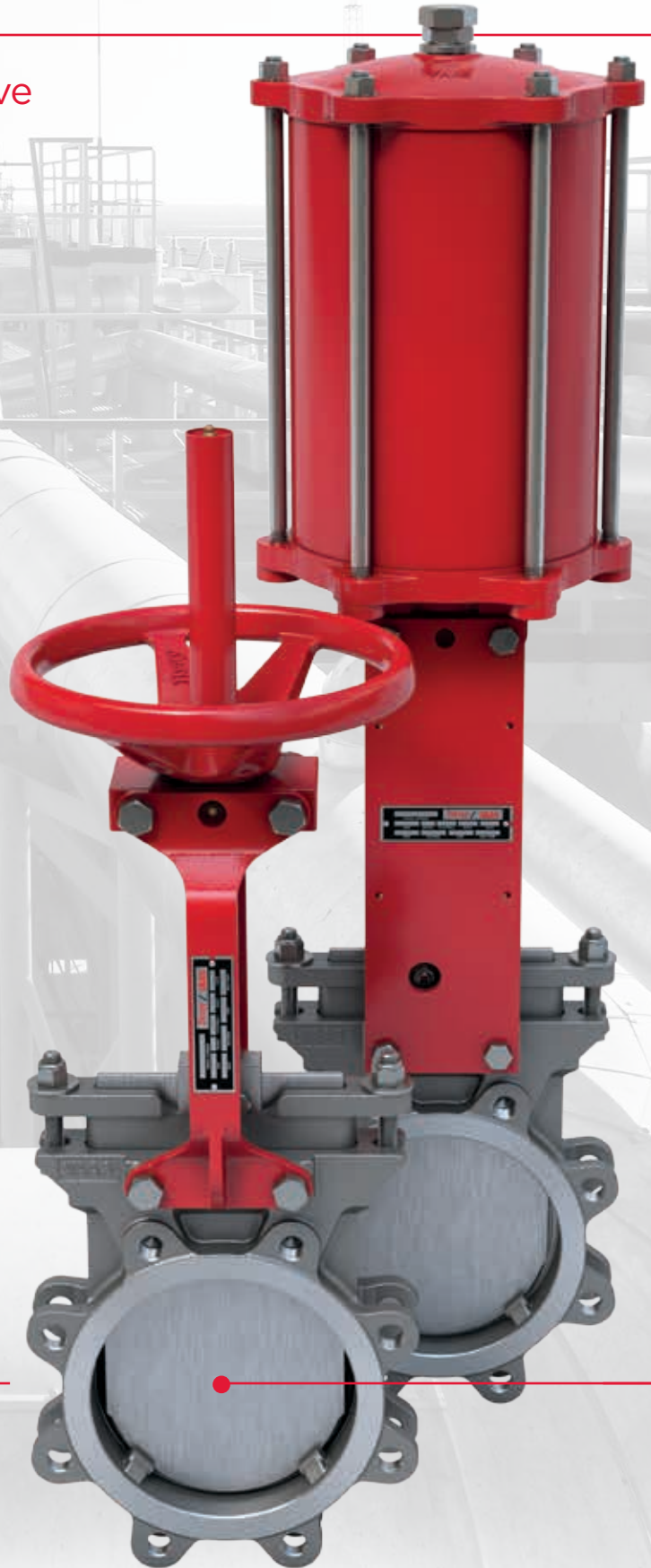


Series 940

Unidirectional Knife Gate Valve



Bray / VAAS®

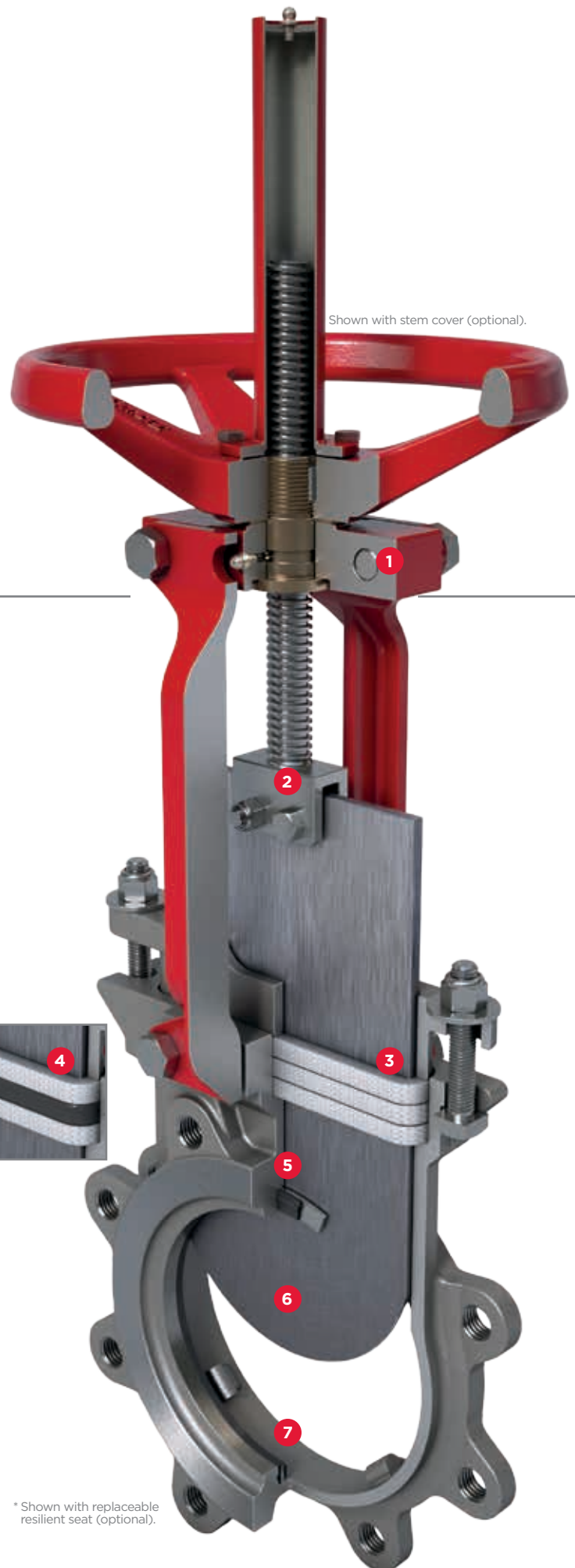
2"-24" (50-600mm) 150psi (10bar)
30"-36" (750-900mm) 100psi (7bar)

Series 940

Unidirectional Knife Gate Valve

The Bray/VAAS Series 940's one-piece, cast body design offers rugged performance in applications ranging from general purpose to severe media handling.

Available with integral metal or replaceable soft seat, the Bray/VAAS Series 940 gate valve is easily automated for on/off applications.



Shown with stem cover (optional).

- 1 Designed for easy, quick conversion between manual and pneumatic actuation. Featuring a lubricant injection port for continuous, smooth operation with minimal maintenance.
- 2 Clevis design and horizontal bolting stabilizes gate ensuring proper alignment.
- 3 Standard multi-layer square packing provides exceptional gland sealing.
- 4 Optional energized quad seal packing for enhanced gland sealing.
- 5 Standard integral metal seat and optional replaceable zero leakage resilient seats.*
- 6 Deflection resistant gate design ensures consistent alignment for industry leading durability.
- 7 Unique body design with no dead pockets enables self-draining of valve.



* Shown with replaceable resilient seat (optional).

Standard Construction

| Body | Gate | Seat | Stem | Gland | Packing | Topworks |
|------|------|----------|------|-------|----------------------------------|----------|
| CF8 | 304 | Integral | 304 | 304 | PTFE impregnated synthetic fiber | Steel |
| CF8M | 316 | Integral | 304 | 304 | PTFE impregnated synthetic fiber | Steel |
| WCB | 304 | Integral | 304 | 304 | PTFE impregnated synthetic fiber | Steel |

Body Options

| |
|----------------------|
| CF3M Stainless Steel |
| SAF 2205 Duplex |
| SAF 2507 Duplex |

Additional material options may be available upon request. Consult factory for availability.

Gate Options

| |
|--------------------------|
| 316, 317 Stainless Steel |
| SAF 2507 Duplex |
| SAF 2205 Duplex |
| 17-4PH Stainless Steel |
| Hastelloy® C |
| Monel® |

Seat Options

| | |
|--------|-------------------------|
| Buna-N | -35°-194°F/-37°-90°C |
| EPDM | -65°-248°F/-54°-120°C |
| Viton® | -15°-392°F/-26°-200°C |
| PTFE | -235°-450°F/-148°-232°C |

Actuator Options

| |
|-------------------------------------|
| Direct Mounted Handwheel - Standard |
| Bevel Gear |
| Pneumatic |
| Hydraulic |
| Electric |

Packing Options

| | |
|----------------------------------|--------------|
| PTFE impregnated synthetic fiber | 232°C/450°F |
| Elastomer | 90°C/194°F |
| Quad Seal* | 200°C/392°F |
| Copper Wiper | 500°C/932°F |
| Graphite | 650°C/1202°F |

*PTFE with Buna-N or Viton®.

Specifications & Standards

| | |
|-----------------|---|
| Size Range | 2"-36" (50-900mm) |
| Pressure Rating | Up to 24" (600mm) 150psi (10bar) 30"-36" (750-900mm) 100psi (7bar) |
| Body Style | One-piece (Lug) |

| | |
|---------------|-------------------------------------|
| Design | MSS SP-81 |
| Testing | MSS SP-81 |
| Face-to-face | MSS SP-81 |
| Certification | Canadian CRN |
| Drilling* | ASME B16.5 CL150, ASME B16.47 CL150 |

*Additional drilling options available. Consult factory for availability.

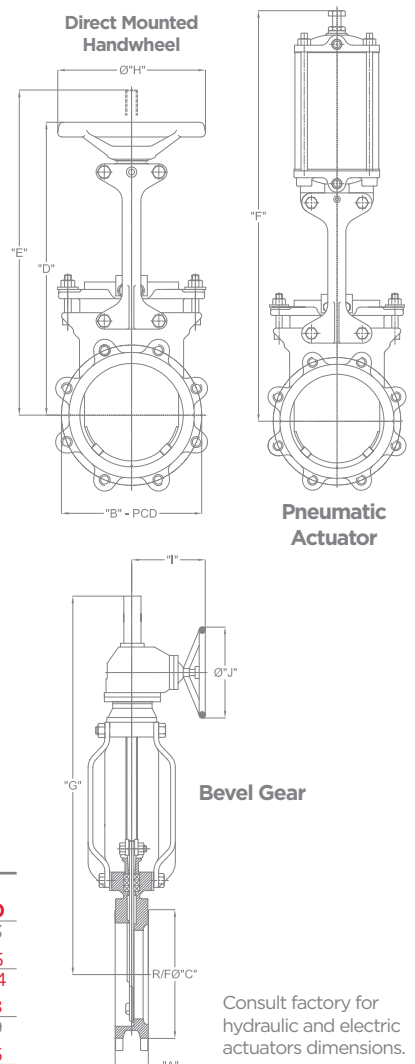
Dimensions

| In. (mm) | A | B | C | D | E | F | G | H | I | J |
|-----------------|-------------|--------------|--------------|---------------|---------------|---------------|---------------|--------------|--------------|--------------|
| 2 (50) | 1.89 48 | 4.76 121 | 3.62 92 | 13.05 332 | 14.15 359 | 18.10 460 | -- | 7.99 203 | -- | -- |
| 3 (80) | 2.01 51 | 6.00 152 | 5.00 127 | 15.73 400 | 17.97 457 | 21.84 555 | -- | 7.99 203 | -- | -- |
| 4 (100) | 2.01 51 | 7.50 191 | 6.18 157 | 17.36 441 | 20.67 525 | 24.49 622 | -- | 7.99 203 | -- | -- |
| 5 (125) | 2.24 57 | 8.50 216 | 7.32 186 | 19.44 494 | 23.44 595 | 27.84 707 | -- | 10.00 254 | -- | -- |
| 6 (150) | 2.24 57 | 9.53 242 | 8.50 216 | 20.94 532 | 25.87 657 | 31.31 795 | -- | 10.00 254 | -- | -- |
| 8 (200) | 2.76 70 | 11.77 299 | 10.63 270 | 24.88 632 | 31.75 807 | 37.64 956 | 29.80 757 | 11.77 299 | 11.65 296 | 20.00 508 |
| 10 (250) | 2.76 70 | 14.25 362 | 12.76 324 | 27.31 694 | 37.09 942 | 44.75 1137 | 35.12 892 | 15.98 406 | 11.65 296 | 20.00 508 |
| 12 (300) | 2.99 76 | 17.01 432 | 14.76 375 | 30.70 780 | 42.50 1080 | 50.14 1274 | 41.06 1043 | 15.98 406 | 11.65 296 | 20.00 508 |
| 14 (350) | 2.99 76 | 18.74 476 | 16.26 413 | 32.91 836 | 45.53 1157 | 52.54 1334 | 45.67 1160 | 20.00 508 | 12.05 306 | 20.00 508 |
| 16 (400) | 3.50 89 | 21.26 540 | 18.50 470 | 36.26 921 | 50.59 1285 | 57.95 1472 | 49.61 1260 | 20.00 508 | 12.05 306 | 20.00 508 |
| 18 (450) | 3.50 89 | 22.76 578 | 21.02 534 | 41.10 1044 | 57.44 1459 | 64.86 1647 | 57.80 1468 | 20.00 508 | 12.05 306 | 20.00 508 |
| 20 (500) | 4.49 114 | 25.00 635 | 22.99 584 | 45.59 1158 | 63.60 1616 | 72.57 1843 | 63.27 1607 | 20.00 508 | 12.05 306 | 20.00 508 |
| 24 (600) | 4.49 114 | 29.53 750 | 27.24 692 | 53.31 1354 | 75.63 1921 | 84.38 2143 | 74.92 1903 | 20.00 508 | 12.05 306 | 20.00 508 |

Dimensions are approximate and subject to change. Consult factory for certified drawings.

Weights

| Size | in mm | 2 50 | 3 80 | 4 100 | 5 125 | 6 150 | 8 200 | 10 250 | 12 300 | 14 350 | 16 400 | 18 450 | 20 500 | 24 600 |
|--------------------|-------|------|------|-------|-------|-------|-------|--------|--------|--------|--------|--------|--------|--------|
| HANDWHEEL | lb | 20 | 29 | 31 | 49 | 51 | 77 | 117 | 168 | 265 | 357 | 474 | 750 | 893 |
| | kg | 9 | 13 | 14 | 22 | 23 | 35 | 53 | 76 | 120 | 162 | 215 | 340 | 405 |
| PNEUMATIC ACTUATOR | lb | 35 | 40 | 53 | 77 | 84 | 121 | 212 | 313 | 410 | 496 | 600 | 805 | 1054 |
| | kg | 16 | 18 | 24 | 35 | 38 | 55 | 96 | 142 | 186 | 225 | 272 | 365 | 478 |
| GEAR OPERATOR | lb | -- | -- | -- | -- | -- | 106 | 183 | 209 | 282 | 364 | 474 | 606 | 959 |
| | kg | -- | -- | -- | -- | -- | 48 | 83 | 95 | 128 | 165 | 215 | 275 | 435 |



Bray International, Inc.
Houston, TX, USA +281.894.5454

Bray/VAAS India
Chennai +91.44.2496.1391

Benelux
Heerhugowaard +31.72.572.1410

Brazil
Paulinia Sp-Brazil +55.19.3517.6161

Canada
Montréal +514.344.2729

Chile
Santiago +56.2739.2966

China
Hangzhou, Zhejiang +86.571.828.52200

Colombia
Bogota +571.876.6084

France
Maubeuge +0033.3.27.59.41.89

Germany
Krefeld +49.2151.53360

India
Gujarat +91.2667.664444

Italy
Milano +39.02.9237.0196

Mexico
Zapopan, Jalisco +52.33.3836.4460

Middle East
Dubai +00971.0.4.887.6979

Pacific
Melbourne, Australia +613.9580.9755

Peru
Lima +511.251.0251

Poland
Oswiecim +48.33.842.1968

Russia
Moscow +7.495.36.36.222

Singapore
Ubi Techpark +65.6742.1428

South Africa
Sandton +27.10.007.3222

South Korea
Seoul +82.2.2190.3809

United Kingdom
Inchinnan +44.141.812.5199



Bray World Headquarters
Houston, TX - USA



Bray India



Bray/VAAS India

To find a distributor in your area visit us online at www.bray.com