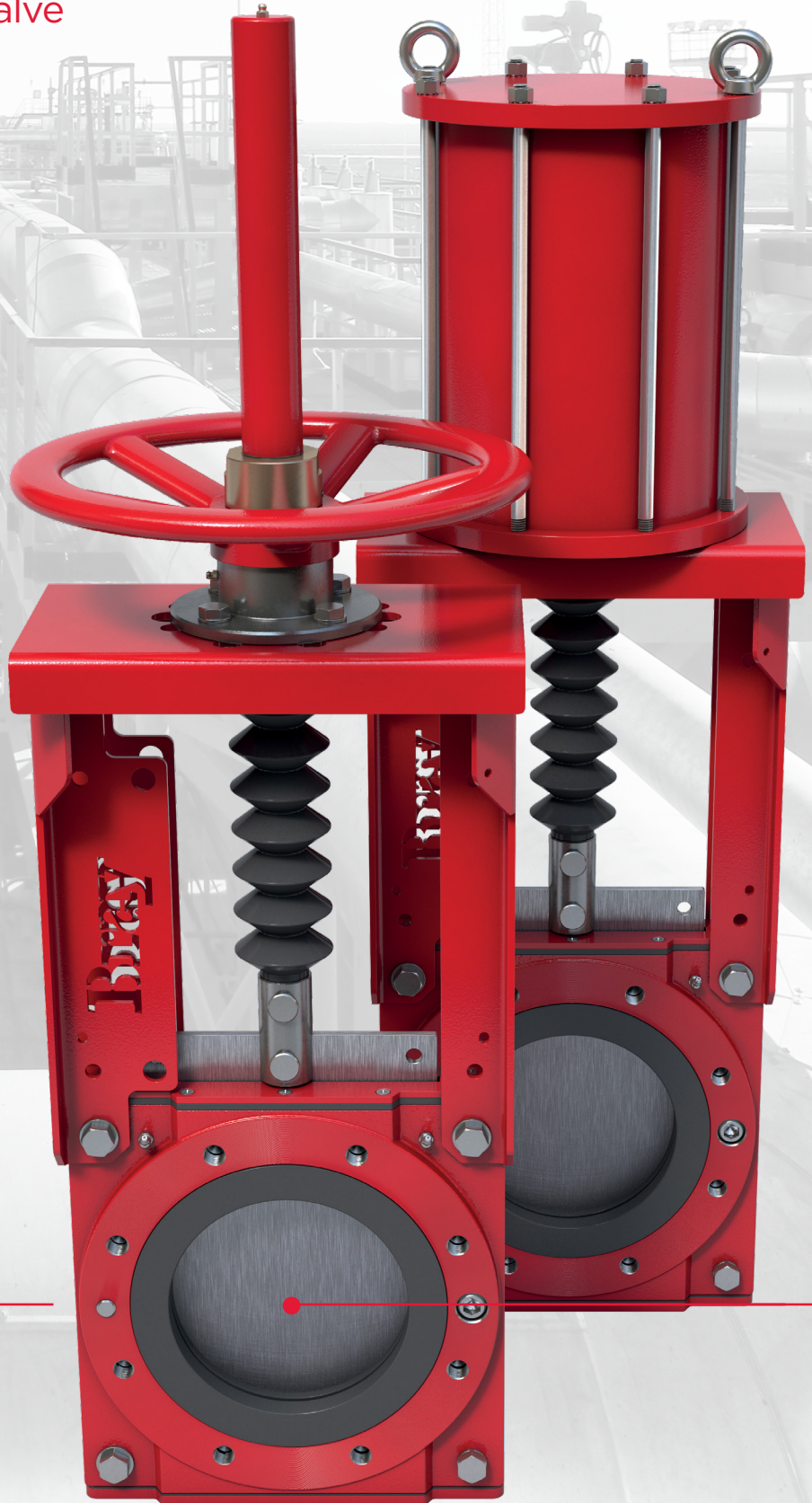


Series 768

Bidirectional Slurry Valve



Bray / VAAS®

2"-24" (50-600mm) 240psi (16bar)
26"-30" (650-750mm) 150psi (10bar)

Series 768

Bidirectional Slurry Valve

The Bray/VAAS Series 768 is a bidirectional slurry valve, designed for demanding high pressure slurry applications. Twin elastomer seats and push-through gate design facilitate self-cleaning and prevent media build up.

The durable ductile iron body is offered in a two-piece bolted wafer style. When fully open, the valve bore offers no resistance to line media.

- 1 Protective stem cover is standard increasing cycle life in hazardous environments.
- 2 J-ring steel-reinforced, elastomer sleeves provide energized, zero leakage shutoff in both directions.
- 3 In the open position, the energized sleeves shield all metal components from direct contact with the flowing process media.
- 4 Robust gate available in a wide range of corrosion resistant alloys to suit the application.
- 5 The design provides unobstructed flow path, extending sleeve life and minimizing pressure drop across valve.
- 6 Ample clearance for push-through allows complete gate closure.
- 7 Optional urethane sleeve (shown) offers additional protection from abrasive line media.
- 8 Two-piece bolted wafer body allows for easy maintenance and is drilled and tapped to ASME B16.5/B16.47 CL150 flange patterns as standard. Other drilling options available upon request.
- 9 Bottom flush plate with tapped ports provided as standard, allowing for safe discharge of media and easy flush water connection.



Standard Construction

Pressure Class	Body	Gate	Seat	Stem	Wiper Support	Wiper	Topworks
10bar	DI	316	Nat. Rubber	304	CS	Polyurethane	Steel
16bar	DI	17-4	Nat. Rubber	304	CS	Polyurethane	Steel

Body Options

Carbon Steel (WCB)
CF8 Stainless Steel
CF8M Stainless Steel
CF3M Stainless Steel
SAF 2205 Duplex
SAF 2507 Duplex

Gate Options

304, 317 Stainless Steel
SAF 2507 Duplex
SAF 2205 Duplex
17-4PH Stainless Steel
Hastelloy® C
Monel®

Additional material options may be available upon request. Consult factory for availability.

Actuator Options

Direct Mounted Handwheel Standard
Bevel Gear
Pneumatic
Hydraulic
Electric

Seat Options

Nat. Rubber	-60°-165°F/-51°-74°C
Urethane	-35°-194°F/-37°-90°C
EPDM	-65°-248°F/-54°-120°C

Specifications & Standards

Size Range	2" to 30" (50 - 750mm)	Design	Manufacturer Standard
Pressure Rating	Up to 24" (600mm) 240psi (16bar) 26"-30" (650mm-750mm) 150psi (10bar)	Testing	Tested to 1.1x rated pressure
Body Style	Two-piece bolted (Wafer)	Face-to-face	MSS SP-81
		Drilling	ASME B16.5 CL150, ASME B16.47 CL150

*Additional drilling options available. Consult factory for availability.

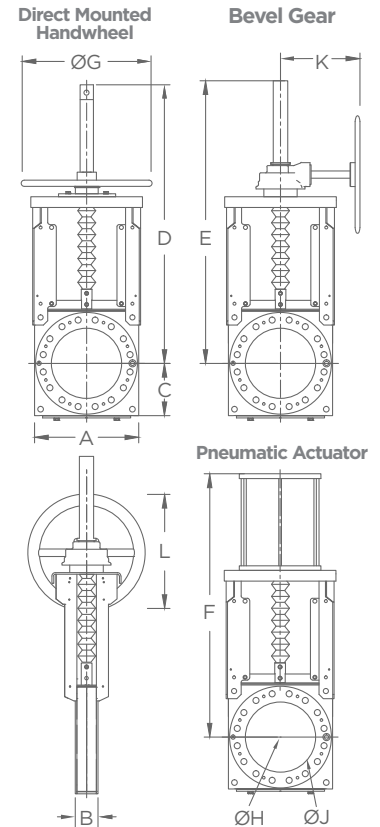
Dimensions

in. (mm)	A	B1	B2	C	D	E	F	ØG	ØH	ØJ	K	L
2	7.09	2.24	2.13	4.57	23.82	--	25.83	11.81	1.85	1.97	--	--
50	180	57	54	116	605	--	656	300	47	50	--	--
3	8.15	2.48	2.28	4.57	25.16	--	28.39	11.81	2.80	3.05	--	--
80	207	63	58	116	639	--	721	300	71	78	--	--
4	9.45	2.48	2.28	5.20	26.69	--	31.36	11.81	3.82	4.00	--	--
100	240	63	58	132	678	--	797	300	97	102	--	--
5	10.31	2.48	2.28	6.14	30.04	--	36.75	11.81	4.94	5.22	--	--
125	262	63	58	156	763	--	934	300	126	133	--	--
6	11.81	2.72	2.52	6.38	37.91	--	38.96	19.69	5.79	6.10	--	--
150	300	69	64	162	963	--	990	500	147	155	--	--
8	14.17	3.19	2.99	7.56	41.46	--	45.45	19.69	7.72	7.99	--	--
200	360	81	76	192	1053	--	1155	500	196	203	--	--
10	16.54	3.23	2.99	8.74	47.05	43.70	52.03	19.69	9.72	10.04	16.73	19.69
250	420	82	76	222	1195	1110	1322	500	247	255	425	500
12	19.29	3.50	3.27	10.12	50.98	51.10	60.37	23.62	11.77	11.28	18.11	19.69
300	490	89	83	257	1295	1298	1534	600	299	287	460	500
14	20.98	3.50	3.27	11.10	58.74	53.86	63.98	23.62	12.95	12.64	19.09	19.69
350	533	89	83	282	1492	1368	1625	600	329	321	485	500
16	23.62	4.02	3.78	12.28	63.94	62.68	73.43	27.56	15.00	15.00	20.47	19.69
400	600	102	96	312	1624	1592	1865	700	381	381	520	500
18	25.51	4.09	3.78	13.27	73.82	68.62	79.27	27.56	17.01	17.60	21.46	19.69
450	648	104	96	337	1875	1743	2014	700	432	447	545	500
20	27.95	5.16	4.76	14.45	77.13	73.43	84.07	27.56	19.02	18.86	22.54	29.53
500	710	131	121	367	1959	1865	2136	700	483	479	573	750
24	32.99	5.20	4.76	16.97	84.33	87.68	97.54	27.56	23.19	23.11	24.37	29.53
600	838	132	121	431	2142	2227	2478	700	589	587	619	750

Dimensions given above are indicative. Please request certified drawings for piping layout.
B1 - Minimum dimensions required for installation. B2 - Installed face-to-face.

Weights

Size	in	2	3	4	5	6	8	10	12	14	16	18	20	24
	mm	50	80	100	125	150	200	250	300	350	400	450	500	600
HANDWHEEL	lb	60	68	82	95	141	183	227	320	373	531	567	778	1074
	kg	27	31	37	43	64	83	103	145	169	241	257	353	487
GEAR OPERATOR	lb	--	--	--	--	--	--	234	326	377	582	655	866	1237
	kg	--	--	--	--	--	--	106	148	171	264	297	393	561



Consult factory for hydraulic and electric actuators dimensions.

Bray International, Inc.
Houston, TX, USA +281.894.5454

Bray/VAAS India
Chennai +91.44.2496.1391

Benelux
Heerhugowaard +31.72.572.1410

Brazil
Paulinia Sp-Brazil +55.19.3517.6161

Canada
Montréal +514.344.2729

Chile
Santiago +56.2739.2966

China
Hangzhou, Zhejiang +86.571.828.52200

Colombia
Bogota +571.876.6084

France
Maubeuge +0033.3.27.59.41.89

Germany
Krefeld +49.2151.53360

India
Gujarat +91.2667.664444

Italy
Milano +39.02.9237.0196

Mexico
Zapopan, Jalisco +52.33.3836.4460

Middle East
Dubai +00971.0.4.887.6979

Pacific
Melbourne, Australia +613.9580.9755

Peru
Lima +511.251.0251

Poland
Oswiecim +48.33.842.1968

Russia
Moscow +7.495.36.36.222

Singapore
Ubi Techpark +65.6742.1428

South Africa
Sandton +27.10.007.3222

South Korea
Seoul +82.2.2190.3809

United Kingdom
Inchinnan +44.141.812.5199



Bray World Headquarters
Houston, TX - USA



Bray India



Bray/VAAS India

To find a distributor in your area visit us online at www.bray.com