

Series 767

Bidirectional High Pressure Slurry Valve



Bray / VAAS®

3"-24" (80-600mm) 375psi (25bar)
26"-30" (650-750mm) 300psi (20bar)

Series 767

Bidirectional High Pressure Slurry Valve

The Bray/VAAS Series 767 is a bidirectional high pressure slurry valve, designed for demanding high pressure slurry applications. Twin elastomer seats and push-through gate design facilitate self-cleaning and prevent media build up.

The durable ductile iron body is offered in a two-piece bolted wafer style. When fully open, the valve bore, offers no resistance to line media.

- 1 Protective stem cover is standard increasing cycle life in hazardous environments.
- 2 J-ring steel-reinforced, elastomer sleeves provide energized, zero leakage shutoff in both directions. Retaining rings included as standard throughout the entire size range.
- 3 In the open position, the energized sleeves shield all metal components from direct contact with the flowing process media.
- 4 Robust gate available in a wide range of corrosion resistant alloys to suit the application.
- 5 The design provides unobstructed flow path, extending sleeve life and minimizing pressure drop across valve.
- 6 Ample clearance for push-through allows complete gate closure.
- 7 Two-piece bolted wafer body allows for easy maintenance and is drilled and tapped to ASME B16.5/ASME B16.47 CL300 flange patterns as standard. Other drilling options available upon request.
- 8 Bottom flush plate with tapped ports provided as standard, allowing for safe discharge of media and easy flush water connection.



Standard Construction

Body	Gate*	Seat	Stem	Wiper Support	Wiper	Topworks
DI	316*	Nat. Rubber	304	CS	Polyurethane	Steel

*Up to 10" - SS316
12"-20" - SAF2205 Duplex
24" - 17-4-PH

Body Options

Carbon Steel (WCB)
CF8 Stainless Steel
CF8M Stainless Steel
CF3M Stainless Steel
SAF 2205 Duplex
SAF 2507 Duplex

Gate Options

304, 317 Stainless Steel
SAF 2507 Duplex
SAF 2205 Duplex
17-4PH Stainless Steel
Hastelloy® C
Monel®

Additional material options may be available upon request. Consult factory for availability.

Actuator Options

Direct Mounted
Handwheel - Standard
Bevel Gear
Pneumatic
Hydraulic
Electric

Seat Options

Nat. Rubber	-60°-165°F/-51°-74°C
EPDM	-65°-248°F/-54°-120°C

Specifications & Standards

Size Range	3" to 30" (80 - 750mm)	Design	Manufacturer Standard
Pressure Rating ¹	3"-24" (80 - 600mm) 375 psi (25bar) 26"-30" (650-750mm) 300 psi (20bar)	Testing	MSS SP-81 / MSS SP-135
Body Style	Two-piece bolted (Wafer)	Face-to-face	Per industry standard
		Drilling ²	ASME B16.5 CL300, ASME B16.47 CL300

¹Pressure rating up to 750 psi (50 bar) is available on request .

²Additional drilling options available. Consult factory for availability.

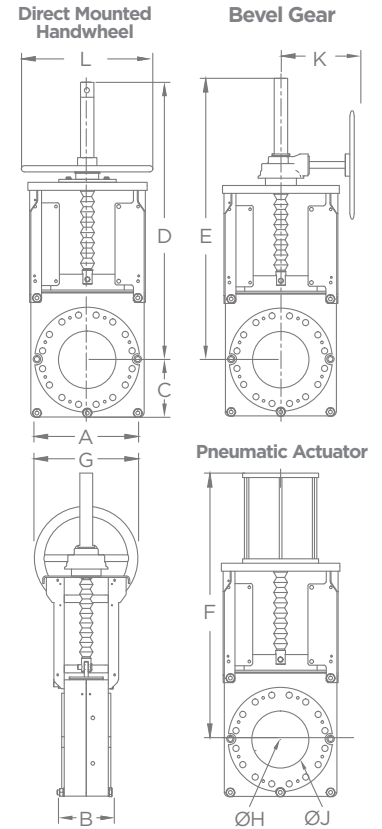
Dimensions

In. (mm)	ØA	B*	C	D	E	F	ØL	ØH	ØJ	K	ØG
3	10.24	6.89	4.72	29.29	--	32.94	11.81	2.44	2.83	--	--
80	260	175	120	744	--	837	300	62	72	--	--
4	11.81	7.13	5.94	32.01	--	37.95	11.81	3.35	3.78	--	--
100	300	181	151	813	--	964	300	85	96	--	--
6	14.17	7.24	7.09	35.35	--	41.71	19.69	5.79	6.02	--	--
150	360	184	180	898	--	1059	500	147	153	--	--
8	16.73	7.24	8.70	41.26	--	47.64	19.69	7.36	7.76	--	--
200	425	184	221	1048	--	1210	500	187	197	--	--
10	19.69	8.90	9.84	47.95	45.91	55.59	19.69	9.09	9.80	18.31	23.62
250	500	226	250	1218	1166	1412	500	231	249	465	600
12	22.05	10.16	11.18	57.83	55.79	67.74	23.62	11.18	11.26	19.49	23.62
300	560	258	284	1469	1417	1721	600	284	286	495	600
14	26.10	10.16	13.54	--	62.24	74.25	--	12.40	13.23	21.65	23.62
350	663	258	344	--	1581	1886	--	315	336	550	600
16	28.74	11.26	15.20	--	66.93	78.46	--	14.02	14.76	23.62	27.56
400	730	286	386	--	1700	1993	--	356	375	600	700
18	29.33	12.24	16.65	--	71.57	83.11	--	15.43	17.05	23.33	27.56
450	745	311	423	--	1818	2111	--	392	433	593	700
20	33.66	14.69	17.87	--	79.17	97.80	--	17.28	18.58	25.30	27.56
500	855	373	454	--	2011	2484	--	439	472	643	700
24	38.78	14.69	20.16	--	91.30	108.47	--	21.54	23.54	28.54	27.56
600	985	373	512	--	2319	2755	--	547	598	725	700

Dimensions given above are indicative. Please request certified drawings for piping layout.
Face-to-face includes the retainer flanges, add 1/4" to 1/2" (6mm to 13mm) for ease of installation.

Weights

Size	in mm	3 80	4 100	6 150	8 200	10 250	12 300	14 350	16 400	18 450	20 500	24 600
HANDWHEEL	lb	203	265	331	456	668	990	--	--	--	--	--
	kg	92	120	150	207	303	449	--	--	--	--	--
GEAR OPERATOR	lb	--	--	--	--	714	1036	1398	1892	2218	2967	4035
	kg	--	--	--	--	324	470	634	858	1006	1346	1830



Consult factory for hydraulic and electric actuators dimensions.

Bray International, Inc.
Houston, TX, USA +281.894.5454

Bray/VAAS India
Chennai +91.44.2496.1391

Benelux
Heerhugowaard +31.72.572.1410

Brazil
Paulinia Sp-Brazil +55.19.3517.6161

Canada
Montréal +514.344.2729

Chile
Santiago +56.2739.2966

China
Hangzhou, Zhejiang +86.571.828.52200

Colombia
Bogota +571.876.6084

France
Maubeuge +0033.3.27.59.41.89

Germany
Krefeld +49.2151.53360

India
Gujarat +91.2667.664444

Italy
Milano +39.02.9237.0196

Mexico
Zapopan, Jalisco +52.33.3836.4460

Middle East
Dubai +00971.0.4.887.6979

Pacific
Melbourne, Australia +613.9580.9755

Peru
Lima +511.251.0251

Poland
Oswiecim +48.33.842.1968

Russia
Moscow +7.495.36.36.222

Singapore
Ubi Techpark +65.6742.1428

South Africa
Sandton +27.10.007.3222

South Korea
Seoul +82.2.2190.3809

United Kingdom
Inchinnan +44.141.812.5199



Bray World Headquarters
Houston, TX - USA



Bray India



Bray/VAAS India

To find a distributor in your area visit us online at www.bray.com