

Series 765

Bidirectional Slurry Valve



Bray / VAAS®

2"-24" (50-600mm) 150psi (10bar)

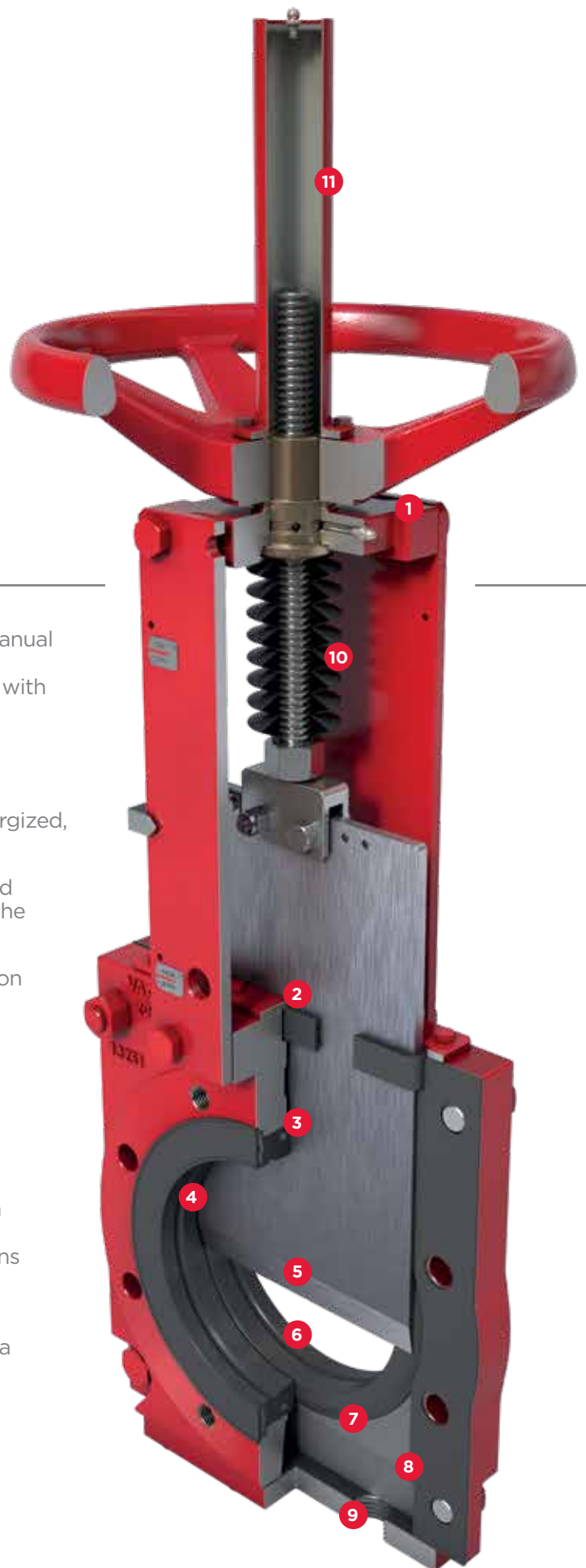
Series 765

Bidirectional Slurry Valve

The Bray/VAAS Series 765 is a bidirectional slurry valve, designed for demanding slurry applications. Twin elastomer seats and push-through gate design facilitate self-cleaning and prevent media build up.

The durable ductile iron body is offered in a compact wafer style. When fully open, the valve bore offers no resistance to line media.

- 1 Designed for easy, quick conversion between manual and pneumatic actuation. Featuring a lubricant injection port for continuous, smooth operation with minimal maintenance.
- 2 Secondary wiper seal extends gate life and prevents discharge from top of valve.
- 3 Metal-reinforced, elastomer sleeves provide energized, zero leakage shutoff in both directions.
- 4 In the open position, the energized sleeves shield all metal components from direct contact with the flowing process media.
- 5 Robust gate available in a wide range of corrosion resistant alloys to suit the application.
- 6 Unrestricted flow path with minimal pressure drop achieved through full port valve design for extended sleeve life.
- 7 Ample clearance for push-through allows complete gate closure.
- 8 Compact wafer body allows for easy installation and is drilled and tapped to ASME B16.5 CL150 flange patterns as standard. Other drilling options available upon request.
- 9 Drain plate with tapped purge ports provided as standard, allowing for safe discharge of media and easy flush water connection.
- 10 Protective rod boot/stem cover is standard on all sizes.
- 11 Upper stem protection is standard on all sizes.



Standard Construction

| Body | Gate | Seat | Stem | Wiper Support | Wiper | Topworks |
|------|------|-------------|------|---------------|-------|----------|
| DI | 304 | Nat. Rubber | 304 | CS | EPDM | Steel |

Body Options

| |
|----------------------|
| Carbon Steel (WCB) |
| CF8 Stainless Steel |
| CF8M Stainless Steel |
| CF3M Stainless Steel |
| SAF 2205 Duplex |
| SAF 2507 Duplex |

Gate Options

| |
|--------------------------|
| 316, 317 Stainless Steel |
| SAF 2507 Duplex |
| SAF 2205 Duplex |
| 17-4PH Stainless Steel |
| Hastelloy® C |
| Monel® |

Additional material options may be available upon request. Consult factory for availability.

Actuator Options

| |
|---------------------------------|
| Direct Mounted |
| Handwheel - Standard (2"-10") |
| Bevel Gear - Standard (12"-24") |
| Pneumatic |
| Hydraulic |
| Electric |

Seat Options

| | |
|-------------|-----------------------|
| Nat. Rubber | -60°-165°F/-51°-74°C |
| EPDM | -65°-248°F/-54°-120°C |

Specifications & Standards

| | |
|-----------------|--------------------------|
| Size Range | 2" to 24" (50 - 600mm) |
| Pressure Rating | 150psi (10bar) |
| Body Style | Two-piece bolted (Wafer) |

| | |
|---------------|-----------------------|
| Design | Manufacturer Standard |
| Testing | MSS SP-81 |
| Face-to-face | MSS SP-81 |
| Certification | Canadian CRN |
| Drilling* | ASME B16.5 CL150 |

*Additional drilling options available. Consult factory for availability.

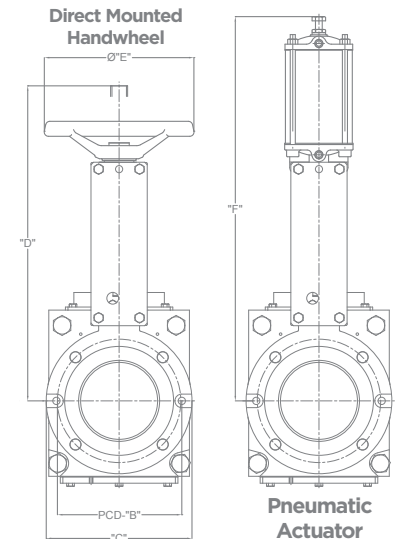
Dimensions

| In. (mm) | A | B | C | D | E | F | G | H | I |
|-------------|-------------|--------------|--------------|---------------|--------------|---------------|---------------|--------------|--------------|
| 2 (50) | 2.13 54 | 4.76 121 | 6.50 165 | 20.67 525 | 11.77 299 | 19.88 505 | -- | -- | -- |
| 3 (80) | 2.24 57 | 6.02 153 | 7.87 200 | 23.62 600 | 11.77 299 | 27.56 700 | -- | -- | -- |
| 4 (100) | 2.24 57 | 7.50 191 | 9.06 230 | 27.17 690 | 11.77 299 | 30.91 785 | -- | -- | -- |
| 6 (150) | 2.52 64 | 9.50 241 | 11.22 285 | 33.07 840 | 15.98 406 | 39.17 995 | 34.65 880 | 11.65 296 | 20.00 508 |
| 8 (200) | 2.99 76 | 11.75 299 | 13.58 345 | 38.19 970 | 20.00 508 | 51.57 1310 | 46.85 1190 | 12.05 306 | 20.00 508 |
| 10 (250) | 2.99 76 | 14.25 362 | 15.94 405 | 44.88 1140 | 20.00 508 | 51.57 1310 | 46.85 1190 | 12.05 306 | 20.00 508 |
| 12 (300) | 3.27 83 | 17.01 432 | 19.09 485 | -- | -- | 59.76 1518 | 52.56 1335 | 12.05 306 | 20.00 508 |
| 14 (350) | 3.27 83 | 18.74 476 | 21.06 535 | -- | -- | 64.17 1630 | 58.46 1485 | 12.05 306 | 20.00 508 |
| 16 (400) | 3.74 95 | 21.26 540 | 23.62 600 | -- | -- | 73.23 1860 | 63.39 1610 | 12.99 330 | 20.00 508 |
| 18 (450) | 3.78 96 | 22.76 578 | 25.51 648 | -- | -- | 75.98 1930 | 70.87 1800 | 12.99 330 | 20.00 508 |
| 20 (500) | 4.76 121 | 25.00 635 | 28.15 715 | -- | -- | 80.71 2050 | 78.74 2000 | 13.46 342 | 20.00 508 |
| 24 (600) | 4.76 121 | 29.50 749 | 33.07 840 | -- | -- | 96.06 2440 | 87.40 2220 | 13.46 342 | 20.00 508 |

Dimensions are approximate and subject to change. Consult factory for certified drawings. Face-to-face mentioned above are installed dimensions, add 1/4" to 1/2" (6mm to 13mm) for ease of installation.

Weights

| Size | in mm | 2 50 | 3 80 | 4 100 | 6 150 | 8 200 | 10 250 | 12 300 | 14 350 | 16 400 | 18 450 | 20 500 | 24 600 |
|--------------------|----------|----------|------------|----------|-----------|------------|------------|------------|------------|------------|------------|-------------|-------------|
| HANDWHEEL | lb kg | 40 18 | 47 21.5 | 64 29 | 95 43 | 172 78 | 214 97 | -- | -- | -- | -- | -- | -- |
| PNEUMATIC ACTUATOR | lb kg | 62 28 | 77 35 | 93 42 | 123 56 | 265 120 | 302 137 | 463 210 | 582 264 | 739 335 | 787 357 | 1129 512 | 1444 655 |
| GEAR OPERATOR | lb kg | -- | -- | -- | -- | -- | 265 120 | 320 145 | 423 192 | 562 255 | 628 285 | 728 330 | 1202 545 |



Bevel Gear

Consult factory for hydraulic and electric actuators dimensions.

Bray International, Inc.
Houston, TX, USA +281.894.5454

Bray/VAAS India
Chennai +91.44.2496.1391

Benelux
Heerhugowaard +31.72.572.1410

Brazil
Paulinia Sp-Brazil +55.19.3517.6161

Canada
Montréal +514.344.2729

Chile
Santiago +56.2739.2966

China
Hangzhou, Zhejiang +86.571.828.52200

Colombia
Bogota +571.876.6084

France
Maubeuge +0033.3.27.59.41.89

Germany
Krefeld +49.2151.53360

India
Gujarat +91.2667.664444

Italy
Milano +39.02.9237.0196

Mexico
Zapopan, Jalisco +52.33.3836.4460

Middle East
Dubai +00971.0.4.887.6979

Pacific
Melbourne, Australia +613.9580.9755

Peru
Lima +511.251.0251

Poland
Oswiecim +48.33.842.1968

Russia
Moscow +7.495.36.36.222

Singapore
Ubi Techpark +65.6742.1428

South Africa
Sandton +27.10.007.3222

South Korea
Seoul +82.2.2190.3809

United Kingdom
Inchinnan +44.141.812.5199



Bray World Headquarters
Houston, TX - USA



Bray India



Bray/VAAS India

To find a distributor in your area visit us online at www.bray.com