

Series 762

Bidirectional Heavy Duty Slurry Valve



Bray / VAAS®

3"-24" (80-600mm) 240psi (16bar)

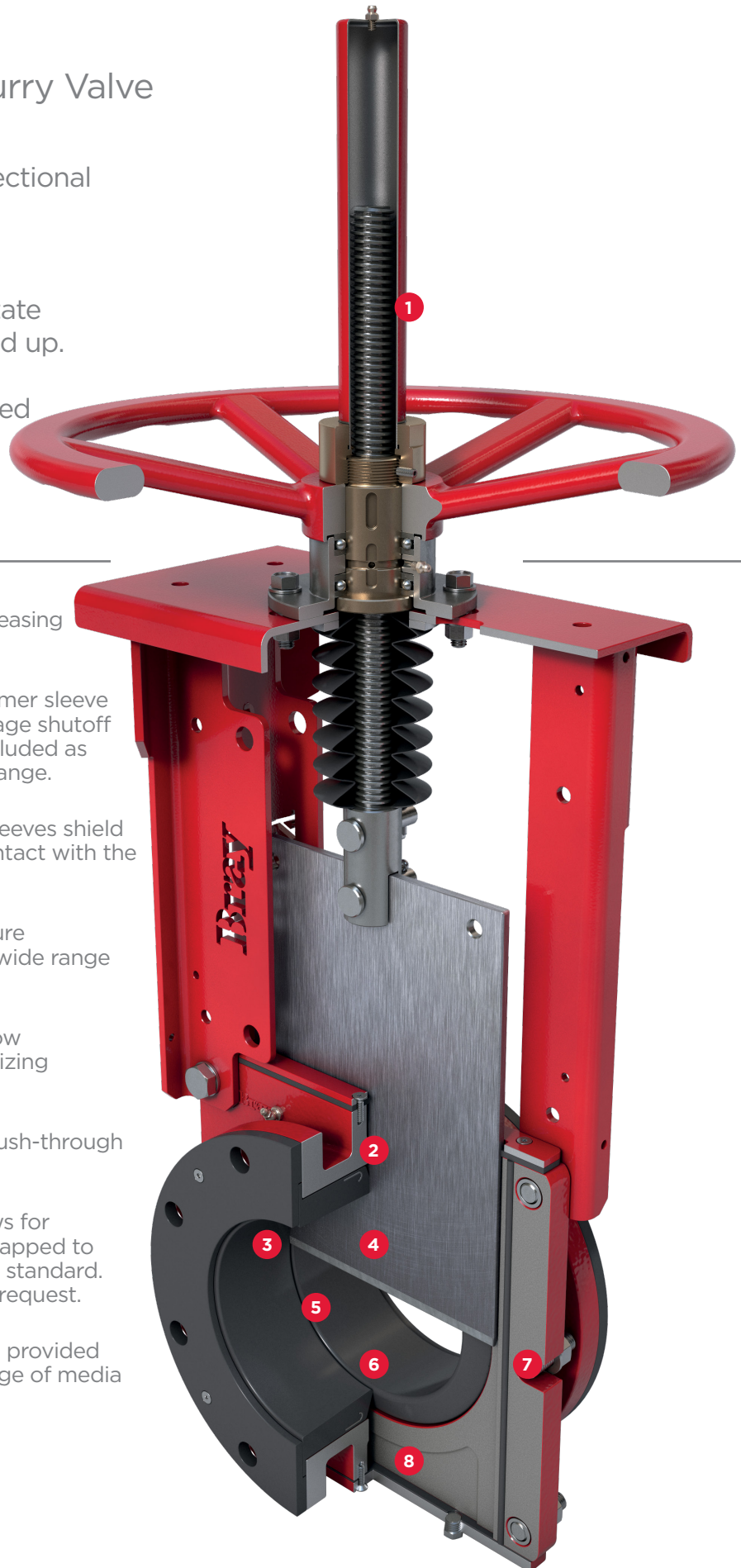
Series 762

Bidirectional Heavy Duty Slurry Valve

The Bray/VAAS Series 762 is a bidirectional heavy duty slurry valve, designed for demanding high pressure slurry applications. Twin elastomer seats and push-through gate design facilitate self-cleaning and prevent media build up.

The durable ductile iron body is offered in a two-piece bolted flange style. When fully open, the valve bore offers no resistance to line media.

- 1 Protective stem cover is standard increasing cycle life in hazardous environments.
- 2 Unique J-ring steel-reinforced, elastomer sleeve design provides energized, zero leakage shutoff in both directions. Retaining rings included as standard throughout the entire size range.
- 3 In the open position, the energized sleeves shield all metal components from direct contact with the flowing process media.
- 4 Robust gate designed for high pressure slurry applications and available in a wide range of corrosion resistant alloys.
- 5 The design provides unobstructed flow path, extending sleeve life and minimizing pressure drop across valve.
- 6 Designed with ample clearance for push-through allowing complete gate closure.
- 7 Flanged two-piece bolted body allows for easy maintenance and is drilled and tapped to ASME B16.5 CL150 flange patterns as standard. Other drilling options available upon request.
- 8 Bottom flush plate with tapped ports provided as standard, allowing for safe discharge of media and easy flush water connection.



Standard Construction

Pressure Class	Body	Gate	Seat	Stem	Wiper Support	Wiper	Topworks
10bar	DI	316	Nat. Rubber	304	CS	Polyurethane	Steel
16bar	DI	17-4	Nat. Rubber	304	CS	Polyurethane	Steel

Body Options

Carbon Steel (WCB)
CF8 Stainless Steel
CF8M Stainless Steel
CF3M Stainless Steel
SAF 2205 Duplex
SAF 2507 Duplex

Gate Options

304, 317 Stainless Steel
SAF 2507 Duplex
SAF 2205 Duplex
17-4PH Stainless Steel
Hastelloy® C
Monel®

Additional material options may be available upon request. Consult factory for availability.

Actuator Options

Direct Mounted
Handwheel - Standard
Bevel Gear
Pneumatic
Hydraulic
Electric

Seat Options

Nat. Rubber	-60°-165°F/-51°-74°C
EPDM	-65°-248°F/-54°-120°C

Specifications & Standards

Size Range	3" to 24" (80 - 600mm)
Pressure Rating	Up to 24" (600mm) 240psi (16bar)
Body Style	Two-piece bolted (Flanged)

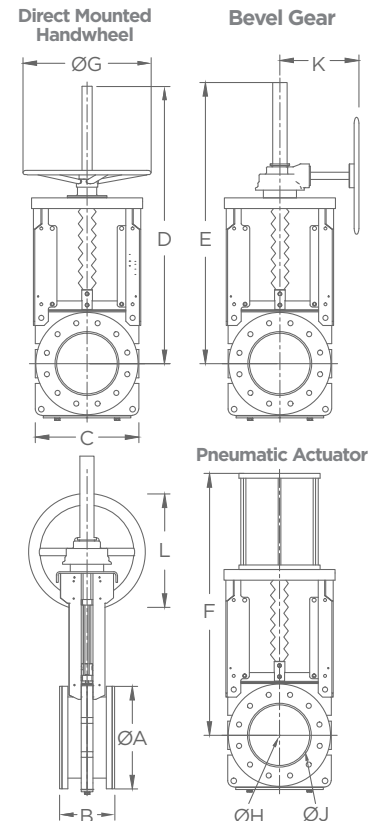
Design	Manufacturer standard
Testing	Tested to 1.1x rated pressure
Face-to-face	Per industry standard
Drilling*	ASME B16.5 CL150

*Additional drilling options available. Consult factory for availability.

Dimensions

In. mm	ØA	B	C	D	E	F	ØG	ØH	ØJ	K	L
3	7.52	6.89	8.90	18.94	--	28.48	11.81	2.44	2.83	--	--
80	191	175	226	481	--	724	300	62	72	--	--
4	9.02	6.89	11.02	21.77	--	30.32	11.81	3.35	3.78	--	--
100	229	175	280	553	--	770	300	85	96	--	--
6	11.02	7.01	13.03	28.03	--	38.29	15.75	5.79	6.02	--	--
150	280	178	331	712	--	972	400	147	153	--	--
8	13.50	7.28	15.08	32.91	--	44.78	19.69	7.36	7.76	--	--
200	343	185	383	836	--	1137	500	187	197	--	--
10	16.02	8.90	16.57	38.78	43.21	50.62	19.69	9.09	9.80	16.63	19.69
250	407	226	421	985	1098	1286	500	231	249	423	500
12	19.02	10.16	21.02	52.05	50.00	59.19	23.62	11.18	11.26	18.11	19.69
300	483	258	534	1322	1270	1504	600	284	286	460	500
14	21.10	10.16	22.76	57.76	55.71	65.39	23.62	12.40	13.23	19.29	19.69
350	536	258	578	1467	1415	1661	600	315	336	490	500
16	23.27	11.02	24.25	61.22	60.43	71.13	27.56	14.02	14.76	19.98	19.69
400	591	280	616	1555	1535	1807	700	356	375	508	500
18	25.16	12.28	26.54	66.50	65.98	76.41	27.56	15.43	17.05	21.75	19.69
450	639	312	674	1689	1676	1941	700	392	433	553	500
20	27.28	14.13	28.39	71.48	70.96	81.79	27.56	17.28	18.58	22.64	29.53
500	693	359	721	1816	1803	2078	700	439	472	575	750
24	32.01	14.65	33.82	86.50	86.77	96.81	27.56	21.54	23.54	25.00	29.53
600	813	372	859	2197	2204	2459	700	547	598	635	750

Dimensions given above are indicative. Please request certified drawings for piping layout. Face-to-Face includes the retainer flanges, add 1/4" to 1/2" (6mm to 13mm) for ease of installation



Consult factory for hydraulic and electric actuators dimensions.

Weights

Size	in mm	3 80	4 100	6 150	8 200	10 250	12 300	14 350	16 400	18 450	20 500	24 600
HANDWHEEL	lb	90	106	176	229	284	417	518	648	880	1021	1680
	kg	41	48	80	104	129	189	235	294	399	463	762
GEAR OPERATOR	lb	--	--	--	--	291	421	522	699	968	1108	1843
	kg	--	--	--	--	132	191	237	317	439	502	836

Bray International, Inc.
Houston, TX, USA +281.894.5454

Bray/VAAS India
Chennai +91.44.2496.1391

Benelux
Heerhugowaard +31.72.572.1410

Brazil
Paulinia Sp-Brazil +55.19.3517.6161

Canada
Montréal +514.344.2729

Chile
Santiago +56.2739.2966

China
Hangzhou, Zhejiang +86.571.828.52200

Colombia
Bogota +571.876.6084

France
Maubeuge +0033.3.27.59.41.89

Germany
Krefeld +49.2151.53360

India
Gujarat +91.2667.664444

Italy
Milano +39.02.9237.0196

Mexico
Zapopan, Jalisco +52.33.3836.4460

Middle East
Dubai +00971.0.4.887.6979

Pacific
Melbourne, Australia +613.9580.9755

Peru
Lima +511.251.0251

Poland
Oswiecim +48.33.842.1968

Russia
Moscow +7.495.36.36.222

Singapore
Ubi Techpark +65.6742.1428

South Africa
Sandton +27.10.007.3222

South Korea
Seoul +82.2.2190.3809

United Kingdom
Inchinnan +44.141.812.5199



Bray World Headquarters
Houston, TX - USA



Bray India



Bray/VAAS India

To find a distributor in your area visit us online at www.bray.com