

Series 760

Bidirectional Heavy Duty Slurry Valve



Bray / VAAS®

2"-24" (50-600mm) 100psi (7bar)
30" (750mm) 75psi (5bar)

Series 760

Bidirectional Heavy Duty Slurry Valve

The Bray/VAAS Series 760 is a bidirectional heavy duty slurry valve, designed for demanding slurry applications. Twin elastomer seats and push-through gate design facilitate self-cleaning and prevent media build up.

The durable ductile iron body is offered in a two-piece bolted flange style. When fully open, the valve is full bore, offering no resistance to line media.

- 1 Designed for easy, quick conversion between manual and pneumatic actuation. Featuring a lubricant injection port for continuous, smooth operation with minimal maintenance.
- 2 Metal-reinforced, elastomer sleeves provide energized, zero leakage shutoff in both directions. Retaining rings included as standard throughout the entire size range.
- 3 In the open position, the energized sleeves shield all metal components from direct contact with the flowing process media.
- 4 Robust gate available in a wide range of corrosion resistant alloys to suit the application.
- 5 Unrestricted flow path with minimal pressure drop achieved through full port valve design for extended sleeve life.
- 6 Ample clearance for push-through allows complete gate closure.
- 7 Flanged two-piece bolted body allows for easy maintenance and is drilled and tapped to ASME B16.5/B16.47 CL150 flange patterns as standard. Other drilling options available upon request.
- 8 Bottom flush plate with tapped ports provided as standard, allowing for safe discharge of media and easy flush water connection.
- 9 Protective rod boot/stem cover is standard on all sizes.
- 10 Upper stem protection is standard on all sizes.



Standard Construction

Body	Gate	Seat	Stem	Wiper Support	Wiper	Topworks
DI	304	Nat. Rubber	304	CS	Polyurethane	Steel

Body Options

Carbon Steel (WCB)
CF8 Stainless Steel
CF8M Stainless Steel
CF3M Stainless Steel
SAF 2205 Duplex
SAF 2507 Duplex

Gate Options

316, 317 Stainless Steel
SAF 2507 Duplex
SAF 2205 Duplex
17-4PH Stainless Steel
Hastelloy® C
Monel®

Additional material options may be available upon request. Consult factory for availability.

Actuator Options

Direct Mounted
Handwheel - Standard (2"-10")
Bevel Gear - Standard (12"-24")
Pneumatic
Hydraulic
Electric

Seat Options

Nat. Rubber	-60°-165°F/-51°-74°C
EPDM	-65°-248°F/-54°-120°C

Specifications & Standards

Size Range	2" to 24" (50 - 600mm)	Design	Manufacturer Standard
Pressure Rating*	100psi - 7bar	Testing	MSS SP-81
Size Range	30" (750mm)	Face-to-face	Per industry standard
Pressure Rating*	75psi - 5bar	Certification	Canadian CRN
Body Style	Two-piece bolted (Flanged)	Drilling**	ASME B16.5 CL150, ASME B16.47 CL150

*Additional pressure ratings may be available upon request. Consult factory for availability.

**Additional drilling options available. Consult factory for availability.

Dimensions

In. (mm)	A	PCD-B	C	D	E	ØF	G	H	I
2 (50)	6.89 (175)	4.76 (121)	7.44 (189)	15.89 (404)	17.99 (457)	10.00 (254)	25.04 (636)	--	--
3 (80)	6.89 (175)	6.02 (153)	8.86 (225)	17.01 (432)	20.81 (529)	10.00 (254)	27.74 (705)	--	--
4 (100)	6.89 (175)	7.52 (191)	10.28 (261)	18.97 (482)	24.33 (618)	10.00 (254)	30.31 (770)	--	--
5 (125)	6.89 (175)	8.50 (216)	11.65 (296)	21.49 (546)	27.60 (701)	11.77 (299)	35.58 (904)	--	--
6 (150)	7.01 (178)	9.53 (242)	12.80 (325)	24.52 (623)	31.30 (795)	11.77 (299)	42.27 (1074)	--	--
8 (200)	7.24 (184)	11.77 (299)	14.41 (366)	26.60 (676)	34.84 (885)	11.77 (299)	47.22 (1199)	--	--
10 (250)	8.90 (226)	14.25 (362)	17.09 (434)	32.33 (821)	40.51 (1029)	11.77 (299)	51.63 (1312)	49.33 (1253)	12.05 (306)
12 (300)	10.12 (257)	17.01 (432)	20.87 (530)	--	--	--	58.89 (1496)	56.18 (1427)	12.05 (306)
14 (350)	10.12 (257)	18.74 (476)	22.20 (564)	--	--	--	66.53 (1690)	65.87 (1673)	12.05 (306)
16 (400)	10.98 (279)	21.26 (540)	24.25 (616)	--	--	--	72.44 (1840)	67.40 (1712)	12.99 (330)
18 (450)	12.24 (311)	22.76 (578)	26.38 (670)	--	--	--	75.78 (1925)	75.71 (1923)	12.99 (330)
20 (500)	14.13 (359)	25.00 (635)	29.13 (740)	--	--	--	86.22 (2190)	80.67 (2049)	13.46 (342)
24 (600)	14.65 (372)	29.53 (750)	34.76 (883)	--	--	--	99.60 (2530)	91.14 (2315)	13.46 (342)

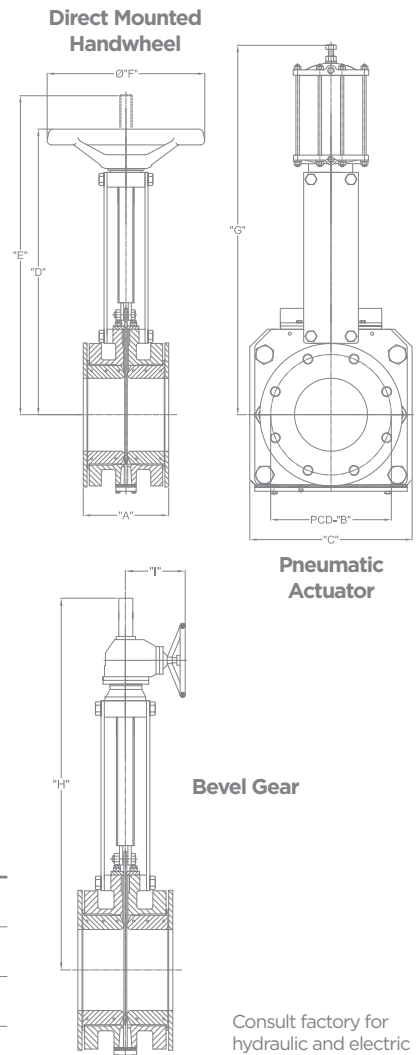
Dimensions are approximate and subject to change. Consult factory for certified drawings.

Face-to-face includes the retainer flanges, add 1/4" to 1/2" (6mm to 13mm) for ease of installation.

Weights

Size	In mm	2 50	3 80	4 100	5 125	6 150	8 200	10 250	12 300	14 350	16 400	18 450	20 500	24 600
HANDWHEEL	lb	40	55	77	99	108	165	229	--	--	--	--	--	--
	kg	18	25	35	45	49	75	104	--	--	--	--	--	--
PNEUMATIC ACTUATOR	lb	--	--	101	--	143	--	298	551	--	--	--	--	--
	kg	--	--	46	--	65	--	135	250	--	--	--	--	--
GEAR OPERATOR	lb	--	--	--	--	--	--	298	441	706	847	1157	--	--
	kg	--	--	--	--	--	--	135	200	320	384	525	--	--

*Approximate weights shown with bevel gear actuator standard on 10"-24" valves, consult factory for additional configurations.



Consult factory for hydraulic and electric actuators dimensions.

Bray International, Inc.
Houston, TX, USA +281.894.5454

Bray/VAAS India
Chennai +91.44.2496.1391

Benelux
Heerhugowaard +31.72.572.1410

Brazil
Paulinia Sp-Brazil +55.19.3517.6161

Canada
Montréal +514.344.2729

Chile
Santiago +56.2739.2966

China
Hangzhou, Zhejiang +86.571.828.52200

Colombia
Bogota +571.876.6084

France
Maubeuge +0033.3.27.59.41.89

Germany
Krefeld +49.2151.53360

India
Gujarat +91.2667.664444

Italy
Milano +39.02.9237.0196

Mexico
Zapopan, Jalisco +52.33.3836.4460

Middle East
Dubai +00971.0.4.887.6979

Pacific
Melbourne, Australia +613.9580.9755

Peru
Lima +511.251.0251

Poland
Oswiecim +48.33.842.1968

Russia
Moscow +7.495.36.36.222

Singapore
Ubi Techpark +65.6742.1428

South Africa
Sandton +27.10.007.3222

South Korea
Seoul +82.2.2190.3809

United Kingdom
Inchinnan +44.141.812.5199



Bray World Headquarters
Houston, TX - USA



Bray India



Bray/VAAS India

To find a distributor in your area visit us online at www.bray.com

All statements, technical information, and recommendations in this bulletin are for general use only. Consult Bray/VAAS representatives or factory for the specific requirements and material selection for your intended application. The right to change or modify product design or product without prior notice is reserved. Patents issued and applied for worldwide.
Bray® is a registered trademark of BRAY INTERNATIONAL, Inc. © 2015 Bray International. All rights reserved. V-6002_EL_760_06-2017