

Series 755

Bidirectional Urethane Lined Slurry Valve



Bray / VAAS®

2"-24" (50-600mm) 150psi (10bar),
240psi (16bar), 300psi (20bar)

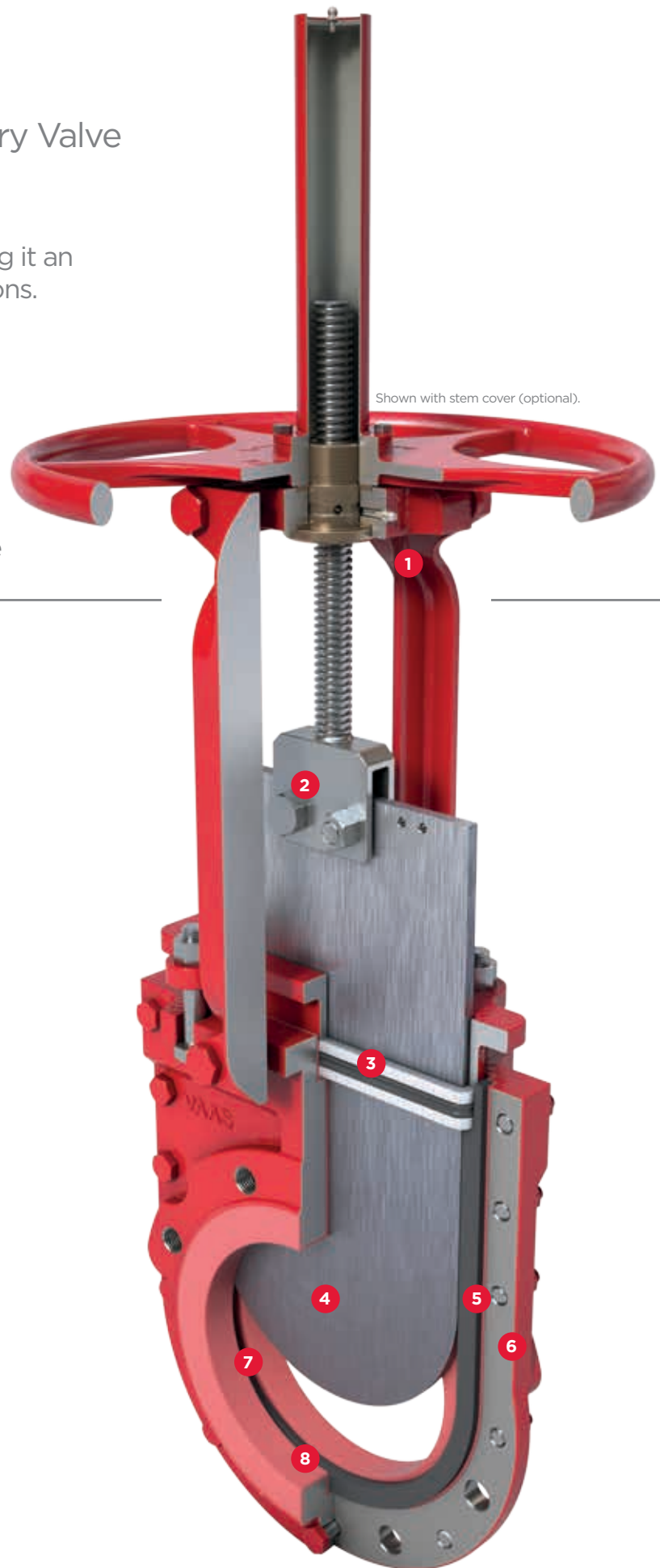
Series 755

Bidirectional Urethane Lined Slurry Valve

The Bray/VAAS Series 755 features a field replaceable polyurethane bore liner making it an economical solution for abrasive applications. Utilizing the same robust steel reinforced perimeter seat as the Series 752 enables bidirectional zero leakage shutoff.

The replaceable steel reinforced perimeter seat is mechanically retained between both halves of the two-piece bolted body providing unsurpassed performance in the most demanding applications.

- 1 Designed for easy, quick conversion between manual and pneumatic actuation. Featuring a lubricant injection port for continuous, smooth operation with minimal maintenance.
- 2 Clevis design and horizontal bolting stabilizes gate ensuring proper alignment.
- 3 Standard multi-layer square packing with energized Quad seal provides exceptional gland sealing.
- 4 Unrestricted flow path with minimal pressure drop achieved through full port valve design.
- 5 Replaceable steel reinforced elastomer perimeter seat ensures bidirectional zero leakage shutoff.
- 6 Two-piece bolted body for easy maintenance and seat replacement.
- 7 Polyurethane liner or rubber liner bonded to both halves of the body (755P/755R) completely protects valve body from media.
- 8 Polyurethane bore liner or rubber liner provides total protection from abrasive media.



Shown with stem cover (optional).

Standard Construction

Body	Gate	Seat	Stem	Gland	Packing	Topworks
CF8	304	Buna-N	304	304	PTFE impregnated synthetic fiber w/Quad seal	Steel
CF8M	316	Buna-N	304	304	PTFE impregnated synthetic fiber w/Quad seal	Steel
WCB	304	Buna-N	304	WCB	PTFE impregnated synthetic fiber w/Quad seal	Steel
DI	304	Buna-N	304	WCB	PTFE impregnated synthetic fiber w/Quad seal	Steel

Actuator Options

Direct Mounted Handwheel	Standard (2"-10")
Bevel Gear	Standard (12"-24")
Pneumatic	
Hydraulic	
Electric	

Body Options

CF3M Stainless Steel
SAF 2205 Duplex
SAF 2507 Duplex

Additional material options may be available upon request. Consult factory for availability.

Gate Options

304, 316, 317 Stainless Steel
SAF 2507 Duplex
SAF 2205 Duplex
17-4PH Stainless Steel
Hastelloy® C
Monel®

Seat Options

Buna-N	-35°-194°F/-37°-90°C
EPDM	-65°-248°F/-54°-120°C
Viton®	-15°-392°F/-26°-200°C

Packing Options

PTFE impregnated synthetic fiber w/Quad seal	xx°C /xx°F
Elastomer Buna-N Quad	90°C/194°F
Viton Quad Seal	200°C/392°F

Specifications & Standards

Size Range	2" to 24" (50 - 600mm)
Pressure Rating	150psi (10bar), 240psi (16bar), 300psi (20bar)
Body Style	Two-piece bolted (Wafer)

Design	Manufacturer Standard
Testing	MSS SP-81
Face-to-face Certification	MSS SP-81 (150psi, 240psi models)
Drilling*	Canadian CRN ASME B16.5 CL150

*Additional drilling options available. Consult factory for availability.

Dimensions

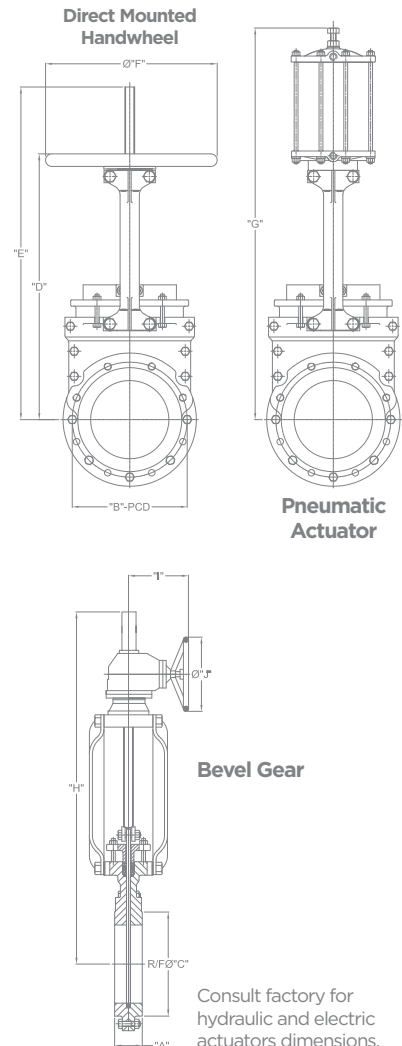
in. mm	A	B	C	D	E	F	G	H	I	J
2	1.89	4.76	3.62	13.33	15.87	7.99	18.41	--	--	--
50	48	121	92	379	403	203	510	--	--	--
3	2.01	6.02	5.00	15.71	18.49	7.99	21.84	--	--	--
80	51	153	127	419	470	203	575	--	--	--
4	2.01	7.52	6.18	17.73	22.73	10.00	25.24	--	--	--
100	51	191	157	510	577	254	701	--	--	--
6	2.24	9.53	8.50	22.36	28.74	11.77	33.41	--	--	--
150	57	242	216	622	730	299	903	--	--	--
8	2.76	11.77	10.63	24.95	35.28	15.98	40.06	--	--	--
200	70	299	270	703	896	406	1086	--	--	--
10	2.76	14.25	12.76	31.51	40.67	15.98	50.07	44.27	12.05	20.00
250	70	362	324	800	1033	406	1272	1125	306	508
12	2.99	17.01	14.76	--	--	--	55.72	51.61	12.05	20.00
300	76	432	375	--	--	--	1415	1311	306	508
14	2.99	18.74	16.26	--	--	--	59.99	56.59	12.05	20.00
350	76	476	413	--	--	--	1524	1437	306	508
16	3.50	21.26	18.50	--	--	--	70.46	62.83	12.99	20.00
400	89	540	470	--	--	--	1790	1596	330	508
18	3.50	22.76	21.00	--	--	--	77.64	69.59	12.99	20.00
450	89	578	534	--	--	--	1972	1768	330	508
20	4.49	25.00	22.99	--	--	--	86.14	81.10	13.46	20.00
500	114	635	584	--	--	--	2188	2060	342	508
24	4.49	29.53	27.24	--	--	--	99.08	94.15	13.46	20.00
600	114	750	692	--	--	--	2517	2392	342	508

Dimensions are approximate and subject to change. Consult factory for certified drawings. Above table is applicable for 10-16 bar. For 20 bar consult factory.

Weights

SIZE	in mm	2 50	3 80	4 100	6 150	8 200	10 250	12 300	14 350	16 400	18 450	20 500	24 600
HANDWHEEL	lb	37	44	53	88	139	181	--	--	--	--	--	--
	kg	17	20	24	40	63	82	--	--	--	--	--	--
PNEUMATIC ACTUATOR	lb	55	73	106	128	205	247	428	721	937	1151	1318	1554
	kg	25	33	48	58	93	112	194	327	425	522	598	705
GEAR OPERATOR	lb	--	--	--	--	194	254	309	474	664	884	1076	1305
	kg	--	--	--	--	88	115	140	215	301	401	488	592

Approximate weights shown. Consult factory for additional configurations.



Bray International, Inc.
Houston, TX, USA +281.894.5454

Bray/VAAS India
Chennai +91.44.2496.1391

Benelux
Heerhugowaard +31.72.572.1410

Brazil
Paulinia Sp-Brazil +55.19.3517.6161

Canada
Montréal +514.344.2729

Chile
Santiago +56.2739.2966

China
Hangzhou, Zhejiang +86.571.828.52200

Colombia
Bogota +571.876.6084

France
Maubeuge +0033.3.27.59.41.89

Germany
Krefeld +49.2151.53360

India
Gujarat +91.2667.664444

Italy
Milano +39.02.9237.0196

Mexico
Zapopan, Jalisco +52.33.3836.4460

Middle East
Dubai +00971.0.4.887.6979

Pacific
Melbourne, Australia +613.9580.9755

Peru
Lima +511.251.0251

Poland
Oswiecim +48.33.842.1968

Russia
Moscow +7.495.36.36.222

Singapore
Ubi Techpark +65.6742.1428

South Africa
Sandton +27.10.007.3222

South Korea
Seoul +82.2.2190.3809

United Kingdom
Inchinnan +44.141.812.5199



Bray World Headquarters
Houston, TX - USA



Bray India



Bray/VAAS India

To find a distributor in your area visit us online at www.bray.com