



When **QUALITY,**
SERVICE and **PRICE**
MATTER MOST!



CATALOGUE

COMMERCIAL VALVES

COMMERCIAL CONSTRUCTION | FIRE PROTECTION | HVAC | IRRIGATION
MINING | WATER & WASTEWATER | OIL & GAS | POWER GENERATION



VISIT US ONLINE TODAY AT
NCICanada.com





About NCI Canada Inc.

Headquartered in the greater Toronto area, NCI Canada Inc. is an innovative, privately owned company that specializes in the development, manufacturing and distribution of high quality pipe, valves and fittings. With over 20 years of industry experience, NCI Canada is recognized as one of Canada's leading master distributors of pipe, valves and fittings, and are proud to service wholesale, retail and OEM customers.

All NCI Canada pipe, valves and fittings are sold and supported through its network of authorized distributors and warehouses across Canada. NCI Canada stocks over 25,000 products within 150,000 sq feet of warehouse area in both central and western Canada.

With a large selection of pipe, valves and fittings products, NCI Canada services the commercial

construction, fire protection, HVAC, irrigation, pulp & paper, mining, water & wastewater, oil & gas, and power generation industries.

Our success in the pipe, valves, and fittings industry is attributed primarily to our customer-centric team of sales personnel, service engineers and trained service staff that are collectively committed to providing quality products at a service and price you will come to love.

Contact NCI Canada today and discover the many ways we can help you and your organization with your pipe, valves and fittings needs.

Learn more at www.NCICanada.com

Ball Valves

Brass and Bronze Ball Valve Index

Brass Ball Valves

(T/S)FP600-LF(SS) Two-Piece, Lead Free	5
(T/S)FP600 Two-Piece	6
(T/S)FP601(SS) Two-Piece, SS Option	7
(T/S)FP600-SD Two-Piece, Side Drain	8
(T/S)FP600-SDWH Two-Piece, Side Drain, Wing Handle	9

Bronze Ball Valves

(T/S)FP620 Two-Piece	10
(T/S)FP620SS Two-Piece, SS Ball & Stem	11
(T/S)FP620-LF(SS) Two-Piece, Lead Free, SS Option	12
(T/S)FP630 Three-Piece	13
(T/S)FP600-HC Two-Piece, Side Drain	14

Bronze Valves

Bronze Gate, Globe and Check Valve Index

Bronze Gate Valves

GTVA-(T/S)BZ2333 Class 150, Rising Stem,	16
Screwed-in Bonnet	
GTVA-(T/S)BZ2333U Class 150, Rising Stem,	17
Union Bonnet	
GTVB-(T/S)BZ2333 Class 150, Non-Rising Stem,	18
Screwed-in Bonnet	
GTVA-TBZ3333U Class 300, Rising Stem,	19
Union Bonnet	
GTVB-TBZ3333U Class 300, Non-Rising Stem,	20
Union Bonnet	

Bronze Globe Valves

GLBA-(T/S)BZ2360 Class 150, PTFE Disc,	21
Screwed-in Bonnet	
GLBA-(T/S)BZ2330 Class 150, Metal Disc,	22
Screwed-in Bonnet	
GLBA-TBZ3443U Class 300, SS Disc, Union Bonnet	23
GLBA-TBZ3333U Class 300, Metal Disc, Union Bonnet	24

Bronze Swing Check Valves

CKVA-(T/S)BZ2331 Class 150, Metal Disc, Y-Pattern	25
CKVA-(T/S)BZ2361 Class 150, PTFE Disc, Y-Pattern	26
CKVA-TBZ3330 Class 300, Bronze Disc, Y-Pattern	27

Bronze In-Line Lift Check Valves

CKVB-(T/S)BZ2373 Class 150, Disc Ring	28
-------------------------------------------------	----

Butterfly Valves

Commercial Butterfly Valve Index

Lug Style Butterfly Valves

C154635(3/5) Class 125.	30
---------------------------------	----

Wafer Style Butterfly Valves

B154635(3/5) Class 125	31
----------------------------------	----

Butterfly Valve Engineering Data

Cast Iron Valves

Cast Iron Gate, Globe and Check Valve Index

Cast Iron Gate Valves

GTVA-FCI1333-HW Class 125, OS&Y Type	34
GTVB-FCI1333-HW Class 125, Non-Rising Stem	35

Cast Iron Globe Valves

GLBA-FCI1333-HW Class 125, Removable Seat & Disc	36
------------------------------------------------------------	----

Cast Iron Swing Check Valves

CKVA-FCI1330 Class 125, Bolted Bonnet	37
-------------------------------------------------	----

Term Glossary

Pressure and Temperature Rating

Cross Referencing Chart

Brass and Bronze Ball Valve Index

Brass Body



(T/S)FP600-LF



(T/S)FP600



(T/S)FP601



(T/S)FP601-SS



(T/S)FP600-SD



(T/S)FP600-SDWH

Bronze Body



(T/S)FP620



(T/S)FP620-SS



(T/S)FP620-LF-SS



(T/S)FP630



(T/S)FP600-HC

Code Index

TFP | 600 | LF | SS | 1"

1 | 2 | 3 | 4 | 5

- | | |
|---------------------------------------------------------------------------------------------------------------------------------------------------------------------------------------------------------------------------------------------------------------------------------------------------------------------------------------------------------------------|----------------------------------------------------------------------------------------------------------------------------------------------------------------------------------------------------------------------------------------------------------------------------------------------------------------------------------------------------------------------|
| <p>1 Port & End Connection Design
TFP - Full Port with Threaded Ends
SFP - Full Port with Solder Ends</p> <p>2 Body Style
600 - 2PC Forged Brass body, Reg. Packing Design
601 - 2PC Forged Brass body, Double 'O' ring Packing
620 - 2PC Bronze body, Reg. Packing Design
630 - 3PC Bronze body, Reg. Packing Design</p> | <p>3 Lead Free
LF - Certified to NSF-61 Annex G NSF / ANSI 372</p> <p>4 Options
SS - Stainless Trim; LL - Locking Lever; SD - Side Drain;
WH - Wing Handle; HC - Hose End Cap & Chain;
MS - Memory Stop; EHK - Extended Handle Kit</p> <p>5 Size
1/4", 3/8", 1/2", 3/4", 1", 1-1/4",
1-1/2", 2", 2-1/2", 3", 4"</p> |
|---------------------------------------------------------------------------------------------------------------------------------------------------------------------------------------------------------------------------------------------------------------------------------------------------------------------------------------------------------------------|----------------------------------------------------------------------------------------------------------------------------------------------------------------------------------------------------------------------------------------------------------------------------------------------------------------------------------------------------------------------|

© 2018 NCI Canada Inc., Oakville, ON, Canada. All rights reserved. All valves information and its contents hereof are proprietary to NCI Canada Inc. Any unauthorized reproduction or disclosure, in whole or in part is strictly prohibited. All valves materials, images and data sheets in this catalogue / brochure is for general information and shall not be used for specific performance data and material selection without first consulting with NCI Canada Inc. NCI Canada reserves the right to change the enclosed valves information without notice. NCI Canada does not accept any liability or damages arising from the use of any valve information within this document. All trademarks and registered trademarks are owned by their respective companies.

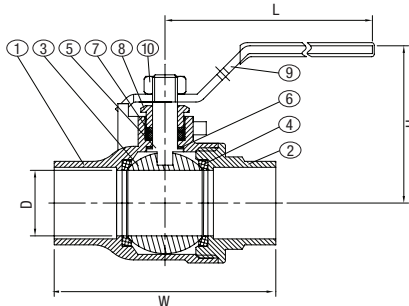
600 Series | Brass Ball Valve

Forged Brass Body | Full Port | Two-Piece | Lead-Free

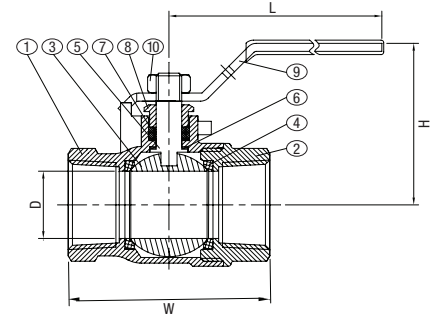
(T/S)FP600-LF



Solder (C x C)



Threaded (NPT x NPT)



(T/S)FP600-LF Product Description

Lead-free 2-piece body multi-purpose brass ball valve for use in engineered hot and cold water systems, gas applications, compressed air services, and fire protection.

Working Pressure

- 600 PSI Non-Shock Cold Working Pressure (CWP)

End Connection

- Solder
- Threaded (NPT)

Product Standards

- **Conforms to:** MSS SP-110.
- **cUL Approval:** Trim and Drain (300 PSI), Compressed Gas Shut-off Valves (300 PSI), Flammable Liquid Shut-off Valves (300 PSI), Gas Shut-off Valves (300 PSI), LP Gas Shut-off Valves (300 PSI), Manual Valves (300 PSI).
- **FM Approval:** 600 PSI Rating.

- **NSF/ANSI 61 (ANNEX G), NSF/ANSI 372 Approval:** Obtained NSF61 Section 8 certificate through IAPMO, Compliant to Prop65 standard.
- **Compliance with California Lead Free Plumbing Law:** AB1953 and certified to ANSI/NSF372.
- **CSA Approval (Threaded only):** Pilot Adjustable National Standard of Canada. Class 3371- 08 Requirement Can1-91, Gas Lever Non Lubricated

Shut-off Valve. Class 3371-1 Requirement CGA-3.16, Manual Gas Valves on Piping Systems. Class 3371-12. Requirement CGA CR-9102, General Gas Valve US Standard. Class 3371-88. Requirement ANSI Z21.15, Gas Manual Valve House Piping System. Class 3371.92 Requirement IAS US Regulations 3.88, Manual Gas Valve Metallic in Piping System US Standards. Class 3371-94 Requirements ANSI/ASME B16.33.-20/150F.

SIZE DN	DIMENSIONS							
	L		D		H		W	
	THREADED ENDS	SOLDER ENDS	THREADED ENDS	SOLDER ENDS	THREADED ENDS	SOLDER ENDS	THREADED ENDS	SOLDER ENDS
inch	inch	inch	inch	inch	inch	inch	inch	inch
1/4"	3.23	-	0.37	-	1.37	-	1.81	-
3/8"	3.23	-	0.37	-	1.37	-	1.81	-
1/2"	3.23	3.23	0.50	0.50	1.45	1.45	2.12	1.94
3/4"	3.94	3.94	0.75	0.75	1.78	1.78	2.41	2.73
1"	4.72	4.72	0.98	0.98	2.29	2.29	2.96	3.29
1 1/4"	4.72	4.72	1.22	1.22	2.44	2.44	3.28	3.74
1 1/2"	7.09	7.09	1.50	1.50	3.00	3.00	3.67	4.30
2"	7.09	7.09	1.97	1.97	3.30	3.30	4.21	5.31
2 1/2"	8.66	8.66	2.50	2.50	4.59	4.59	5.38	6.26
3"	8.66	8.66	3.00	3.00	4.92	4.92	6.06	7.19
4"	9.84	9.84	3.98	3.98	5.73	5.73	7.39	9.28

MATERIAL SPECIFICATIONS			
NO.	PART NAME	MATERIAL	STANDARD
1	Body	Lead-Free Brass	-
2	End Cap	Lead-Free Brass	-
3	Ball	Lead-Free Brass, Chrome Plated	-
4	Seat	PTFE	-
5	Stem	Copper Alloy	-
6	Thrust Washer	PTFE	-
7	Stem Packing	PTFE	-
8	Gland	Copper Alloy	-
9	Handle	Carbon Steel Plated	-
10	Nut	Carbon Steel Plated	-



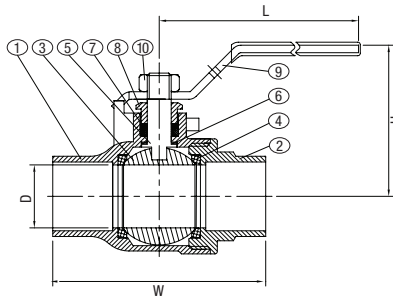
CRN



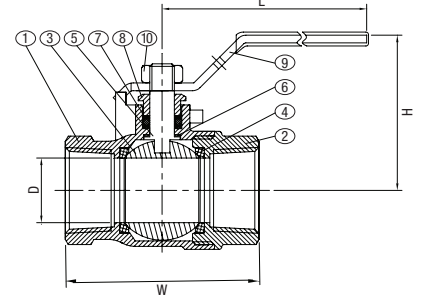
© 2018 NCI Canada Inc., Oakville, ON, Canada. All rights reserved. All valves information and its contents hereof are proprietary to NCI Canada Inc. Any unauthorized reproduction or disclosure, in whole or in part is strictly prohibited. All valves materials, images and data sheets in this catalogue / brochure is for general information and shall not be used for specific performance data and material selection without first consulting with NCI Canada Inc. NCI Canada reserves the right to change the enclosed valves information without notice. NCI Canada does not accept any liability or damages arising from the use of any valve information within this document. All trademarks and registered trademarks are owned by their respective companies.



Solder (C x C)



Threaded (NPT x NPT)



(T/S)FP600 Product Description

2-piece body multi-purpose brass ball valve for use in engineered hot and cold water systems, gas applications, compressed air services, and fire protection.

Working Pressure

- ¼"–2": 600 PSI Non-Shock Cold Working Pressure (CWP)
- 2½"–4": 400 PSI Non-Shock Cold Working Pressure (CWP)

End Connection

- Solder
- Threaded (NPT)

Product Standards

- **Conforms to:** MSS SP-110.
- **cUL Approval:** Trim and Drain (300 PSI), Compressed Gas Shut-off Valves (600 PSI), Flammable Liquid Shut-off Valves (600 PSI), Gas Shut-off Valves (600 PSI), LP Gas Shut-off Valves (600 PSI), Manual Valves (600 PSI), CAN/CGAC 3.16 (1/2" through 2") 125 psig, AGA3-88 / CGA CR91-002 (1/4" through 2") 5 psig, 150 WSP.

- **FM Approval:** 600 PSI Rating.
- **NSF 61 Approval:** Obtained NSF61 Section 8 certificate through IAPMO, Compliant to Prop65 standard.
- **CSA Approval** (Threaded only): Pilot Adjustable National Standard of Canada. Class 3371-08 Requirement Can1-91, Gas Lever Non Lubricated Shut-off Valve. Class 3371-10 Requirement

CGA-3.16, Manual Gas Valves on Piping Systems. Class 3371-12. Requirement CGA CR-9102, General Gas Valve US Standard. Class 3371-88. Requirement ANSI Z21.15, Gas Manual Valve House Piping System. Class 3371.92. Requirement IAS US Regulations 3.88, Manual Gas Valve Metallic in Piping System US Standards. Class 3371-94 Requirements ANSI/ASME B16.33. -20/150F.

SIZE DN	DIMENSIONS							
	L		D		H		W	
	THREADED ENDS	SOLDER ENDS	THREADED ENDS	SOLDER ENDS	THREADED ENDS	SOLDER ENDS	THREADED ENDS	SOLDER ENDS
inch	inch	inch	inch	inch	inch	inch	inch	inch
1/4"	3.23	-	0.37	-	1.37	-	1.81	-
3/8"	3.23	-	0.37	-	1.37	-	1.81	-
1/2"	3.23	3.23	0.50	0.50	1.45	1.45	2.12	1.94
3/4"	3.94	3.94	0.75	0.75	1.78	1.78	2.41	2.73
1"	4.72	4.72	0.98	0.98	2.29	2.29	2.96	3.29
1¼"	4.72	4.72	1.22	1.22	2.44	2.44	3.28	3.74
1½"	7.09	7.09	1.50	1.50	3.00	3.00	3.67	4.30
2"	7.09	7.09	1.97	1.97	3.30	3.30	4.21	5.31
2½"	8.66	8.66	2.50	2.50	4.59	4.59	5.38	6.29
3"	8.66	8.66	3.00	3.00	4.92	4.92	6.06	7.19
4"	9.84	9.84	3.98	3.98	5.73	5.73	7.39	9.26

MATERIAL SPECIFICATIONS			
NO.	PART NAME	MATERIAL	STANDARD
1	Body	Forged Brass	ASTM B124 C37700
2	End Cap	Forged Brass	ASTM B124 C37700
3	Seat	Copper Alloy	-
4	Ball	PTFE	-
5	Stem	Copper Alloy	-
6	Thrust Washer	PTFE	-
7	Stem Packing	PTFE	-
8	Gland	Copper Alloy	-
9	Handle	Carbon Steel Plated	-
10	Nut	Carbon Steel Plated	-



© 2018 NCI Canada Inc., Oakville, ON, Canada. All rights reserved. All valves information and its contents hereof are proprietary to NCI Canada Inc. Any unauthorized reproduction or disclosure, in whole or in part is strictly prohibited. All valves materials, images and data sheets in this catalogue / brochure is for general information and shall not be used for specific performance data and material selection without first consulting with NCI Canada Inc. NCI Canada reserves the right to change the enclosed valves information without notice. NCI Canada does not accept any liability or damages arising from the use of any valve information within this document. All trademarks and registered trademarks are owned by their respective companies.

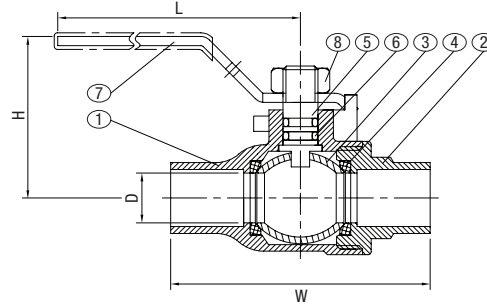
601 Series | Brass Ball Valve

Forged Brass Body | Full Port | Two-Piece

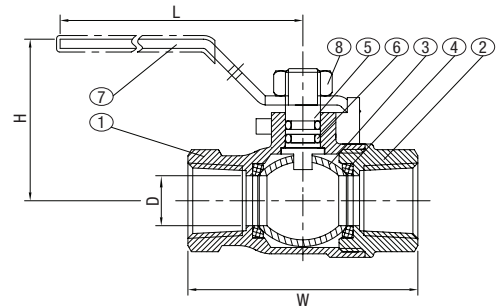
(T/S)FP601(SS)



Solder (C x C)



Threaded (NPT x NPT)



(T/S)FP601 Product Description

2-piece body multi-purpose brass ball valve for use in engineered hot and cold water systems, gas applications, and compressed air services.

Working Pressure

• 1/4"–2": 600 PSI Non-Shock Cold Working Pressure (CWP)

End Connection

- Solder
- Threaded (NPT)

Standard

- Conforms to MSS SP-110

Options

Stainless Steel Trim Available for Both Solder and Threaded End Connection Models

Product Standards

CAN/CGAC 3.16 (1/2" through 2") 125 psig, AGA3-88 / CGA CR91-002 (1/4" through 2") 5 psig, 150 WSP, NSF 61 Approval

• **CSA Approval (Threaded only):** Pilot Adjustable National Standard of Canada. Class 3371- 08 Requirement Can1-91, Gas Lever Non Lubricated

Shut-off Valve. Class 3371-10 Requirement CGA-3.16, Manual Gas Valves on Piping Systems. Class 3371-12. Requirement CGA CR-9102, General Gas Valve US Standard. Class 3371-88. Requirement ANSI Z21.15, Gas Manual Valve House Piping System. Class 3371.92 Requirement IAS US Regulations

3.88, Manual Gas Valve Metallic in Piping System US Standards. Class 3371-94 Requirements ANSI/ASME B16.33. -20/150F.

SIZE DN	DIMENSIONS							
	L		D		H		W	
	THREADED ENDS	SOLDER ENDS	THREADED ENDS	SOLDER ENDS	THREADED ENDS	SOLDER ENDS	THREADED ENDS	SOLDER ENDS
inch	inch	inch	inch	inch	inch	inch	inch	inch
1/4"	3.23	-	0.31	-	1.11	-	1.49	-
3/8"	3.23	-	0.31	-	1.11	-	1.63	-
1/2"	3.23	3.23	0.44	0.44	1.13	1.13	1.98	1.89
3/4"	3.94	3.94	0.69	0.69	1.58	1.58	2.29	2.67
1"	4.72	4.72	0.94	0.94	1.96	1.96	2.80	3.30
1 1/4"	4.72	4.72	1.19	1.19	2.14	2.14	3.19	3.78
1 1/2"	7.09	7.09	1.44	1.44	2.54	2.54	3.45	4.30
2"	7.09	7.09	1.94	1.94	2.89	2.89	4.03	5.33

MATERIAL SPECIFICATIONS			
NO.	PART NAME	MATERIAL	STANDARD
1	Body	Forged Brass	ASTM C37700
2	End Cap	Forged Brass	ASTM C37700
3	Ball	Copper Alloy, Chrome Plated	-
	Ball (SS Model)	Stainless Steel	A276 Type 316
4	Seat	PTFE	-
5	Stem	Copper Alloy	-
	Stem (SS Model)	Brass	A276 Type 316
6	O-Ring (2)	Viton	-
7	Handle	Carbon Steel Plated	-
8	Nut	Carbon Steel Plated	-



© 2018 NCI Canada Inc., Oakville, ON, Canada. All rights reserved. All valves information and its contents hereof are proprietary to NCI Canada Inc. Any unauthorized reproduction or disclosure, in whole or in part is strictly prohibited. All valves materials, images and data sheets in this catalogue / brochure is for general information and shall not be used for specific performance data and material selection without first consulting with NCI Canada Inc. NCI Canada reserves the right to change the enclosed valves information without notice. NCI Canada does not accept any liability or damages arising from the use of any valve information within this document. All trademarks and registered trademarks are owned by their respective companies.

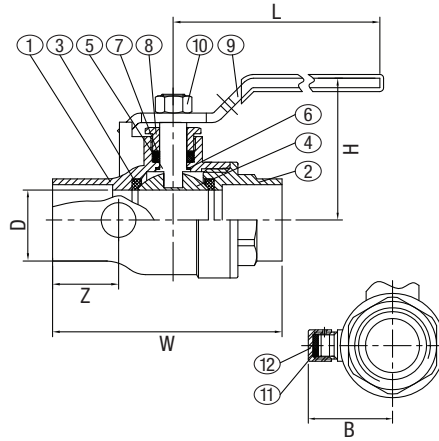
(T/S)FP600-SD

600 Series | Brass Ball Valve

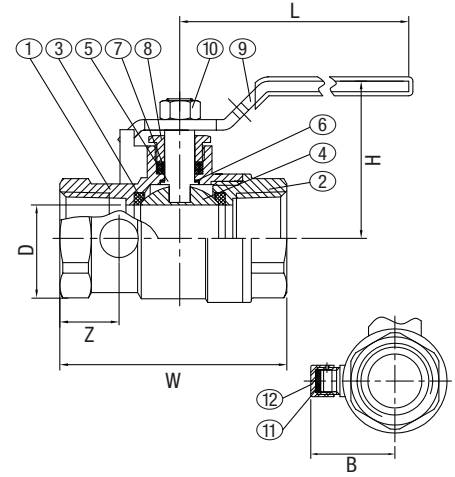
Forged Brass Body | Full Port | Two-Piece | Side Drain



Solder (C x C)



Threaded (NPT x NPT)



(T/S)FP600-SD Product Description

2-piece body multi-purpose brass ball valve for use in engineered hot and cold water systems, gas applications, compressed air services, and fire protection.

Working Pressure

- 600 PSI Non-Shock Cold Working Pressure (CWP)

End Connection

- Solder
- Threaded (NPT)

Standard

- Conforms to MSS SP-110

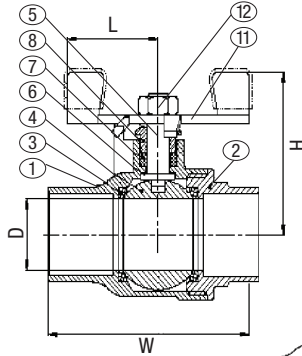
SIZE DN		D		DIMENSIONS				WEIGHT							
				W		H				L		B			
mm	inch	mm	inch	THREADED ENDS	SOLDER ENDS			mm	inch					mm	inch
15	1/2"	12.7	0.50	59.0	2.32	52.7	2.07	36.0	1.42	82	3.23	26.2	1.03	0.44	0.20
20	3/4"	19.0	0.75	64.8	2.55	72.7	2.86	44.9	1.77	100	3.94	31.2	1.23	0.74	0.34
25	1"	25.0	0.98	78.2	2.64	86.9	3.42	57.6	2.27	120	4.72	35.7	1.41	1.19	0.54

MATERIAL SPECIFICATIONS			
NO.	PART NAME	MATERIAL	STANDARD
1	Body	Forged Brass	-
2	End Cap	Forged Brass	-
3	Seat	PTFE	-
4	Ball	Copper Alloy, Chrome Plated	-
5	Stem	Copper Alloy	-
6	Thrust Washer	PTFE	-
7	Packing	PTFE	-
8	Gland	Copper Alloy	-
9	Handle	Carbon Steel Plated	-
10	Nut	Carbon Steel Plated	-
11	Packing	Rubber	-
12	Cap	Copper Alloy	-

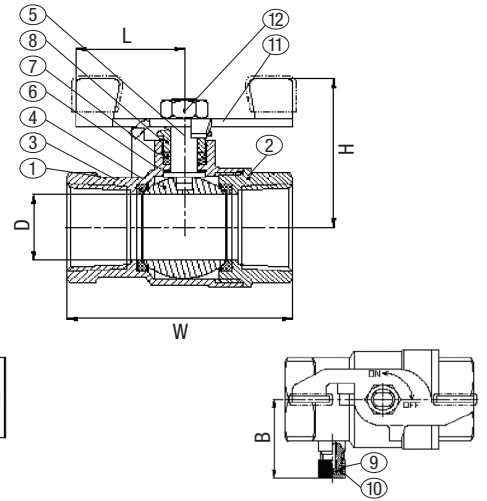
© 2018 NCI Canada Inc., Oakville, ON, Canada. All rights reserved. All valves information and its contents hereof are proprietary to NCI Canada Inc. Any unauthorized reproduction or disclosure, in whole or in part is strictly prohibited. All valves materials, images and data sheets in this catalogue / brochure is for general information and shall not be used for specific performance data and material selection without first consulting with NCI Canada Inc. NCI Canada reserves the right to change the enclosed valves information without notice. NCI Canada does not accept any liability or damages arising from the use of any valve information within this document. All trademarks and registered trademarks are owned by their respective companies.



Solder (C x C)



Threaded (NPT x NPT)



(T/S)FP600-SDWH Product Description

2-piece body multi-purpose brass ball valve for use in engineered hot and cold water systems, compressed air services, and fire protection.

Working Pressure

- 600 PSI Non-Shock Cold Working Pressure (CWP)

End Connection

- Solder
- Threaded (NPT)

Standard

- Conforms to MSS SP-110

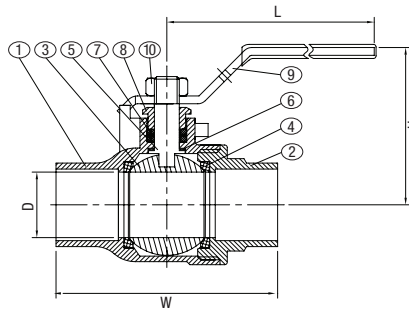
DIMENSIONS																	
SIZE DN		D		W				H		L		Z				B	
				THREADED ENDS		SOLDER ENDS						THREADED ENDS		SOLDER ENDS			
mm	inch	mm	inch	mm	inch	mm	inch	mm	inch	mm	inch	mm	inch	mm	inch	mm	inch
15	1/2"	12.7	0.50	59	2.32	59	1.32	37	1.457	27.5	1.083	16.5	0.649	15.2	0.598	26.2	1.03
20	3/4"	19	0.75	64.8	2.55	64.8	2.55	50	1.970	32.5	1.280	16.9	0.665	22	0.866	31.2	1.22
25	1"	25	0.98	78.2	3.07	78.2	3.08	56.6	2.228	37.5	1.476	20	0.787	26	1.023	35.7	1.40

MATERIAL SPECIFICATIONS			
NO.	PART NAME	MATERIAL	STANDARD
1	Body	Forged Brass	-
2	End Cap	Forged Brass	-
3	Seat	PTFE	-
4	Ball	Copper Alloy	-
5	Stem	Copper Alloy	-
6	Thrust Washer	PTFE	-
7	Packing	PTFE	-
8	Gland	Copper Alloy	-
9	Handle	Carbon Steel Plated	-
10	Nut	Stainless Steel	SS41
11	Packing	Rubber	-
12	Cap	Copper Alloy	-

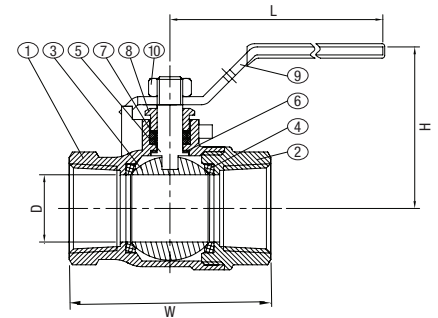
© 2018 NCI Canada Inc., Oakville, ON, Canada. All rights reserved. All valves information and its contents hereof are proprietary to NCI Canada Inc. Any unauthorized reproduction or disclosure, in whole or in part is strictly prohibited. All valves materials, images and data sheets in this catalogue / brochure is for general information and shall not be used for specific performance data and material selection without first consulting with NCI Canada Inc. NCI Canada reserves the right to change the enclosed valves information without notice. NCI Canada does not accept any liability or damages arising from the use of any valve information within this document. All trademarks and registered trademarks are owned by their respective companies.



Solder (C x C)



Threaded (NPT x NPT)



(T/S)FP620 Product Description

2-piece body multi-purpose bronze ball valve for use in engineered hot and cold water systems, and compressed air services.

Working Pressure

- 600 PSI Non-Shock Cold Working Pressure (CWP)

End Connection

- Solder
- Threaded (NPT)

Standard

- Conforms to MSS SP-110

DIMENSIONS											
SIZE DN		D		W				H		L	
				THREADED ENDS		SOLDER ENDS					
mm	inch	mm	inch	mm	inch	mm	inch	mm	inch	mm	inch
8	1/4"	9.5	0.37	47.5	1.87	40	1.57	37	1.46	80	3.15
10	3/8"	9.5	0.37	47.5	1.87	40	1.57	37	1.46	80	3.15
15	1/2"	12.7	0.50	54.7	2.15	53	2.09	50	1.96	92.5	3.64
20	3/4"	19	0.75	61.6	2.43	72	2.83	54	2.13	92.5	3.64
25	1"	25	0.98	74.6	2.94	87.6	3.45	63.6	2.50	111.5	4.39
32	1 1/4"	30.5	1.20	84.8	3.32	98.2	3.87	67.6	2.66	111.5	4.39
40	1 1/2"	38	1.50	92.2	3.64	113.2	4.46	79.8	3.14	155	6.10
50	2"	50	1.07	106.1	4.18	140	5.51	89.4	3.52	155	6.10

MATERIAL SPECIFICATIONS			
NO.	PART NAME	MATERIAL	STANDARD
1	Body	Bronze	ASTM B584 C84400
2	End Cap	Bronze	ASTM B584 C84400
3	Ball	Copper Alloy	-
4	Seat	PTFE	-
5	Stem	Copper Alloy, Chrome Plated	-
6	Thrust Washer	PTFE	-
7	Stem Packing	PTFE	-
8	Gland	Copper Alloy	-
9	Handle	Carbon Steel Plated	-
10	Nut	Carbon Steel Plated	-

CRN

© 2018 NCI Canada Inc., Oakville, ON, Canada. All rights reserved. All valves information and its contents hereof are proprietary to NCI Canada Inc. Any unauthorized reproduction or disclosure, in whole or in part is strictly prohibited. All valves materials, images and data sheets in this catalogue / brochure is for general information and shall not be used for specific performance data and material selection without first consulting with NCI Canada Inc. NCI Canada reserves the right to change the enclosed valves information without notice. NCI Canada does not accept any liability or damages arising from the use of any valve information within this document. All trademarks and registered trademarks are owned by their respective companies.

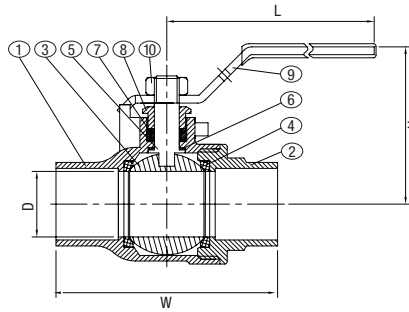
620 Series | Bronze Ball Valve

Bronze Body | Full Port | Two-Piece | SS Ball & Stem

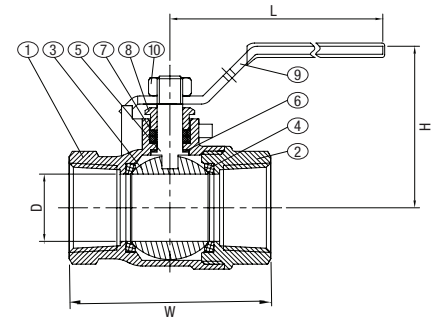
(T/S)FP620-SS



Solder (C x C)



Threaded (NPT x NPT)



(T/S)FP620-SS Product Description

2-piece body multi-purpose bronze ball valve for use in engineered hot and cold water systems.

Working Pressure

- 600 PSI Non-Shock Cold Working Pressure (CWP)

End Connection

- Solder
- Threaded (NPT)

Standard

- Conforms to MSS SP-110

DIMENSIONS

SIZE DN		D		W				H		L	
				THREADED ENDS		SOLDER ENDS					
mm	inch	mm	inch	mm	inch	mm	inch	mm	inch	mm	inch
8	1/4"	9.5	0.37	47.5	1.87	40	1.57	37	1.46	80	3.15
10	3/8"	9.5	0.37	47.5	1.87	40	1.57	37	1.46	80	3.15
15	1/2"	12.7	0.50	54.7	2.15	53	2.09	50	1.96	92.5	3.64
20	3/4"	19	0.75	61.6	2.43	72	2.83	54	2.13	92.5	3.64
25	1"	25	0.98	74.6	2.94	87.6	3.45	63.6	2.50	111.5	4.39
32	1 1/4"	30.5	1.20	84.8	3.32	98.2	3.87	67.6	2.66	111.5	4.39
40	1 1/2"	38	1.50	92.2	3.64	113.2	4.46	79.8	3.14	155	6.10
50	2"	50	1.07	106.1	4.18	140	5.51	89.4	3.52	155	6.10

MATERIAL SPECIFICATIONS

NO.	PART NAME	MATERIAL	STANDARD
1	Body	Bronze	ASTM B584 C84400
2	End Cap	Bronze	ASTM B584 C84400
3	Ball	Stainless Steel	ASTM A276 TYPE 316
4	Seat	PTFE	-
5	Stem	Stainless Steel	ASTM A276 TYPE 316
6	Thrust Washer	PTFE	-
7	Stem Packing	PTFE	-
8	Gland	Copper Alloy	-
9	Handle	Carbon Steel Plated	-
10	Nut	Carbon Steel Plated	-

CRN

© 2018 NCI Canada Inc., Oakville, ON, Canada. All rights reserved. All valves information and its contents hereof are proprietary to NCI Canada Inc. Any unauthorized reproduction or disclosure, in whole or in part is strictly prohibited. All valves materials, images and data sheets in this catalogue / brochure is for general information and shall not be used for specific performance data and material selection without first consulting with NCI Canada Inc. NCI Canada reserves the right to change the enclosed valves information without notice. NCI Canada does not accept any liability or damages arising from the use of any valve information within this document. All trademarks and registered trademarks are owned by their respective companies.

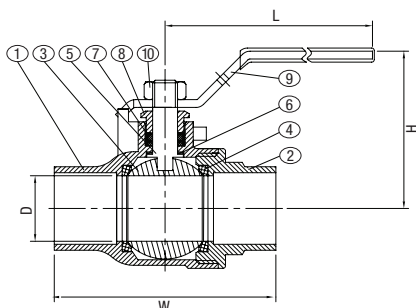
(T/S)FP620-LF(SS)

620 Series | Bronze Ball Valve

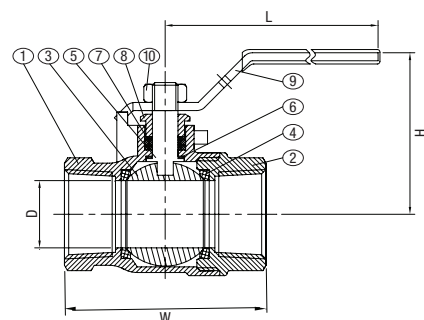
Bronze Body | Full Port | Two-Piece | SS Ball & Stem | Lead-Free



Solder (C x C)



Threaded (NPT x NPT)



(T/S)FP620-LF(SS) Product Description

Lead-free 2-piece body multi-purpose bronze ball valve for use in engineered hot and cold water systems.

Working Pressure

- 600 PSI Non-Shock Cold Working Pressure (CWP)

End Connection

- Solder
- Threaded (NPT)

Standard

- Conforms to MSS SP-110

DIMENSIONS

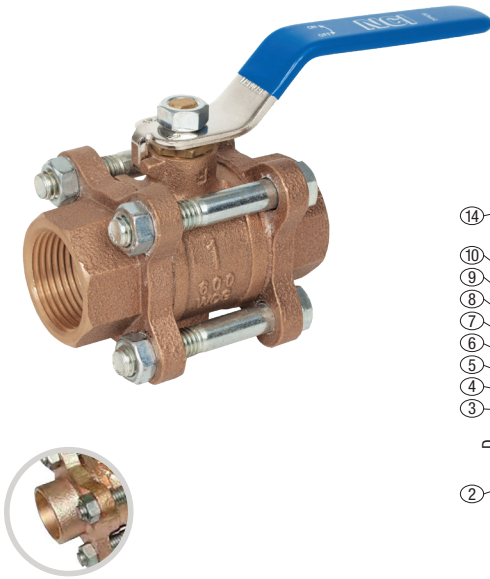
SIZE DN		D		W				H		L	
				THREADED ENDS		SOLDER ENDS					
mm	inch	mm	inch	mm	inch	mm	inch	mm	inch	mm	inch
8	1/4"	9.5	0.37	47.5	1.87	40	1.57	37	1.46	80	3.15
10	3/8"	9.5	0.37	47.5	1.87	40	1.57	37	1.46	80	3.15
15	1/2"	12.7	0.50	54.7	2.15	53	2.09	50	1.96	92.5	3.64
20	3/4"	19	0.75	61.6	2.43	72	2.83	54	2.13	92.5	3.64
25	1"	25	0.98	74.6	2.94	87.6	3.45	63.6	2.50	111.5	4.39
32	1 1/4"	30.5	1.20	84.8	3.32	98.2	3.87	67.6	2.66	111.5	4.39
40	1 1/2"	38	1.50	92.2	3.64	113.2	4.46	79.8	3.14	155	6.10
50	2"	50	1.07	106.1	4.18	140	5.51	89.4	3.52	155	6.10

MATERIAL SPECIFICATIONS

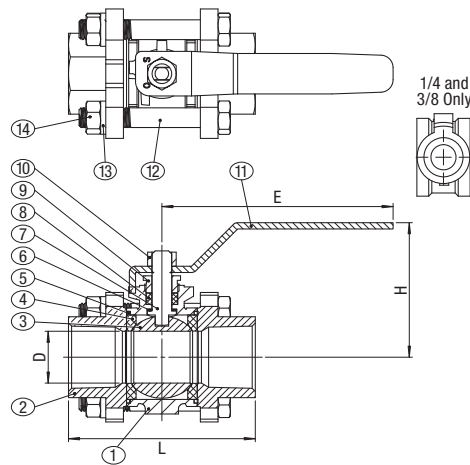
NO.	PART NAME	MATERIAL	STANDARD
1	Body	Bronze	ASTM B584 C84400
2	End Cap	Bronze	ASTM B584 C84400
3	Ball	Stainless Steel	ASTM A276 TYPE 316
4	Seat	PTFE	-
5	Stem	Stainless Steel	ASTM A276 TYPE 316
6	Thrust Washer	PTFE	-
7	Stem Packing	PTFE	-
8	Gland	Copper Alloy	-
9	Handle	Carbon Steel Plated	-
10	Nut	Carbon Steel Plated	-



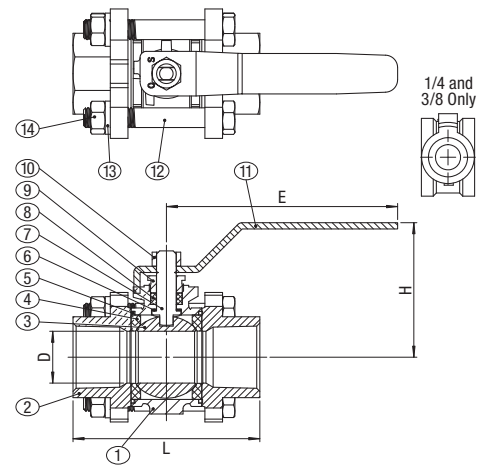
© 2018 NCI Canada Inc., Oakville, ON, Canada. All rights reserved. All valves information and its contents hereof are proprietary to NCI Canada Inc. Any unauthorized reproduction or disclosure, in whole or in part is strictly prohibited. All valves materials, images and data sheets in this catalogue / brochure is for general information and shall not be used for specific performance data and material selection without first consulting with NCI Canada Inc. NCI Canada reserves the right to change the enclosed valves information without notice. NCI Canada does not accept any liability or damages arising from the use of any valve information within this document. All trademarks and registered trademarks are owned by their respective companies.



Solder (C x C)



Threaded (NPT x NPT)



(T/S)FP630 Product Description

3-piece body multi-purpose bronze ball valve for use in engineered hot and cold water systems, and compressed air services.

Working Pressure

- 600 PSI Non-Shock Cold Working Pressure (CWP)

End Connection

- Solder
- Threaded (NPT)

Standard

- Conforms to MSS SP-110

DIMENSIONS											
SIZE DN		D		W				H		L	
				THREADED ENDS		SOLDER ENDS					
mm	inch	mm	inch	mm	inch	mm	inch	mm	inch	mm	inch
8	1/4"	9.5	0.37	47.5	1.87	40	1.57	37	1.46	80	3.15
10	3/8"	9.5	0.37	47.5	1.87	40	1.57	37	1.46	80	3.15
15	1/2"	12.7	0.50	54.7	2.15	53	2.09	50	1.96	92.5	3.64
20	3/4"	19	0.75	61.6	2.43	72	2.83	54	2.13	92.5	3.64
25	1"	25	0.98	74.6	2.94	87.6	3.45	63.6	2.50	111.5	4.39
32	1 1/4"	30.5	1.20	84.8	3.32	98.2	3.87	67.6	2.66	111.5	4.39
40	1 1/2"	38	1.50	92.2	3.64	113.2	4.46	79.8	3.14	155	6.10
50	2"	50	1.07	106.1	4.18	140	5.51	89.4	3.52	155	6.10

MATERIAL SPECIFICATIONS			
NO.	PART NAME	MATERIAL	STANDARD
1	Body	Bronze	ASTM B584 C84400
2	End Cap	Bronze	ASTM B584 C84400
3	Ball	Copper Alloy, Chrome Plated	-
4	Seat	PTFE	-
5	Gasket	PTFE	-
6	Thrust Washer	PTFE	-
7	Stem	Copper Alloy	-
8	Packing	PTFE	-
9	Gland	Copper Alloy	-
10	Handle Nut	Carbon Steel Plated	-
11	Handle	Carbon Steel Plated	-
12	Bolt	Carbon Steel Plated	-
13	Bolt Washer	Carbon Steel	-
14	Bolt Nut	Carbon Steel	-

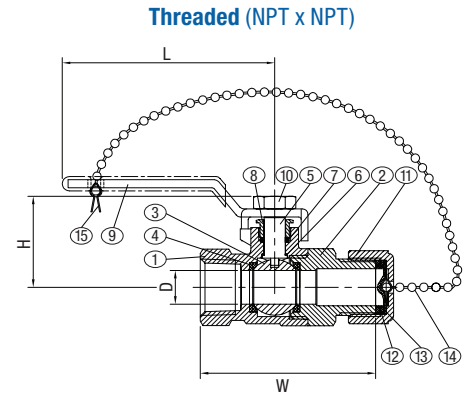
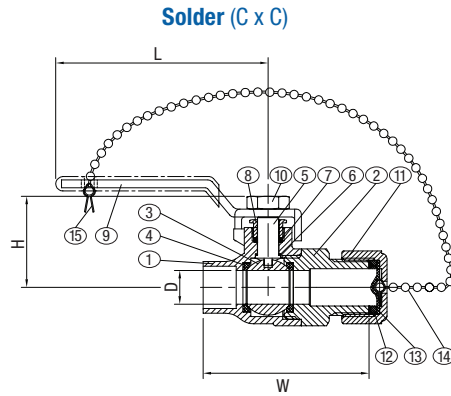
CRN

© 2018 NCI Canada Inc., Oakville, ON, Canada. All rights reserved. All valves information and its contents hereof are proprietary to NCI Canada Inc. Any unauthorized reproduction or disclosure, in whole or in part is strictly prohibited. All valves materials, images and data sheets in this catalogue / brochure is for general information and shall not be used for specific performance data and material selection without first consulting with NCI Canada Inc. NCI Canada reserves the right to change the enclosed valves information without notice. NCI Canada does not accept any liability or damages arising from the use of any valve information within this document. All trademarks and registered trademarks are owned by their respective companies.

(T/S)FP600-HC

600 Series | Bronze Ball Valve

Forged Brass Body | Full Port | Two-Piece



(T/S)FP600-HC Product Description

2-piece body multi-purpose bronze ball valve for use in engineered hot and cold water systems.

Working Pressure

- 600 PSI Non-Shock Cold Working Pressure (CWP)

End Connection

- Solder
- Threaded (NPT)

Standard

- Conforms to MSS SP-110

DIMENSIONS											
SIZE DN		D		W				H		L	
				THREADED ENDS		SOLDER ENDS					
mm	inch	mm	inch	mm	inch	mm	inch	mm	inch	mm	inch
15	1/2"	12.7	0.50	66.0	2.60	62.5	2.46	34.3	1.35	80.0	3.15
20	3/4"	19.0	0.75	75.5	2.97	79.1	3.11	40.9	1.61	92.5	3.65

MATERIAL SPECIFICATIONS			
NO.	PART NAME	MATERIAL	STANDARD
1	Body	Bronze	ASTM B584 C84400
2	Cap	Forged Brass	-
3	Ball	Copper Alloy	-
4	Seat	PTFE	-
5	Stem	Copper Alloy	-
6	Thrust Washer	PTFE	-
7	Packing	PTFE	-
8	Gland	Copper Alloy	-
9	Handle	Carbon Steel Plated	-
10	Nut	Carbon Steel Plated	-
11	Cap	Forged Brass	-
12	Packing	NBR	-
13	Packing	NBR	-
14	Chain	Carbon Steel Plated	-
15	Fastener	Carbon Steel Plated	-

© 2018 NCI Canada Inc., Oakville, ON, Canada. All rights reserved. All valves information and its contents hereof are proprietary to NCI Canada Inc. Any unauthorized reproduction or disclosure, in whole or in part is strictly prohibited. All valves materials, images and data sheets in this catalogue / brochure is for general information and shall not be used for specific performance data and material selection without first consulting with NCI Canada Inc. NCI Canada reserves the right to change the enclosed valves information without notice. NCI Canada does not accept any liability or damages arising from the use of any valve information within this document. All trademarks and registered trademarks are owned by their respective companies.

Bronze Gate, Globe and Check Valve Index



GTVA-(T/S)BZ2333



GTVA-(T/S)BZ2333U



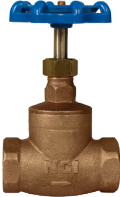
GTVB-(T/S)BZ2333



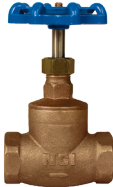
GTVA-TBZ3333U



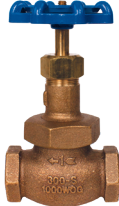
GTVB-TBZ3333U



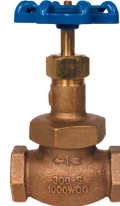
GLBA-(T/S)BZ2360



GLBA-(T/S)BZ2330



GLBA-TBZ3443U



GLBA-TBZ3333U



CKVA-(T/S)BZ2331



CKVA-(T/S)BZ2361



CKVA-TBZ3330



CKVB-(T/S)BZ2373

Code Index

GTVA | T | BZ | 2 | 3 | 3 | 3 | HW

1

2

3

4

5

6

7

8

1 Valve Category

GTVA - Gate Valves (**A**-OS&Y; **B**-N.R.S.)
GLBA - Globe Valves (**A**-Straight Body; **B**-Angle Body)
CKVA - Check Valves (**A**-Swing Check; **B**-Lift Check)

2 Connection Style

B - Butt Weld; **C** - Combination; **F** - Flanged; **G** - Grooved;
M - Mechanical Joint; **P** - Push-On; **S** - Socket Weld;
T - Thread

3 Body Material

BS - Brass; **BZ** - Bronze; **CI** - Cast Iron; **CS** - Cast Steel;
DI - Ductile Iron; **FS** - Forged Steel; **SS** - Stainless Steel

4 Pressure Rating

1 - 125#; **2** - 150#; **3** - 300#; **4** - 200#; **5** - 250#;
7 - 350#; **8** - 800#

5 Seat Material

0 - Brass; **1** - Ductile Iron; **2** - Cast Iron;
3 - Bronze; **4** - Stainless Steel; **5** - EPDM;
6 - PTFE; **7** - BUNA N; **8** - Polyamide; **9** - Viton

6 Disc Material

0 - Brass; **1** - Ductile Iron; **2** - Cast Iron; **3** - A.I.
Bronze; **4** - Stainless Steel; **5** - EPDM; **6** - PTFE

7 Stem/Bushing Material

0 - Brass; **1** - Stainless Steel; **2** - 1-4PH; **3** - Bronze

8 Accessories

HW - Handwheel; **SN** - Square Nut; **GB** - Gear Box;
MA - Motor Actuator; **PA** - Pneumatic Actuator

© 2018 NCI Canada Inc., Oakville, ON, Canada. All rights reserved. All valves information and its contents hereof are proprietary to NCI Canada Inc. Any unauthorized reproduction or disclosure, in whole or in part is strictly prohibited. All valves materials, images and data sheets in this catalogue / brochure is for general information and shall not be used for specific performance data and material selection without first consulting with NCI Canada Inc. NCI Canada reserves the right to change the enclosed valves information without notice. NCI Canada does not accept any liability or damages arising from the use of any valve information within this document. All trademarks and registered trademarks are owned by their respective companies.

GTVA-(T/S)BZ2333

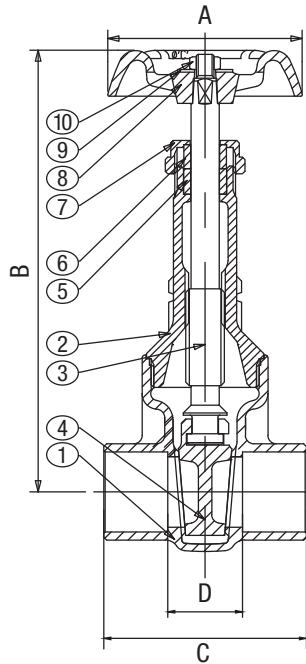
Class 150 | Bronze Gate Valve

Bronze Body | Solid Wedge | Rising Stem | Screwed-in Bonnet

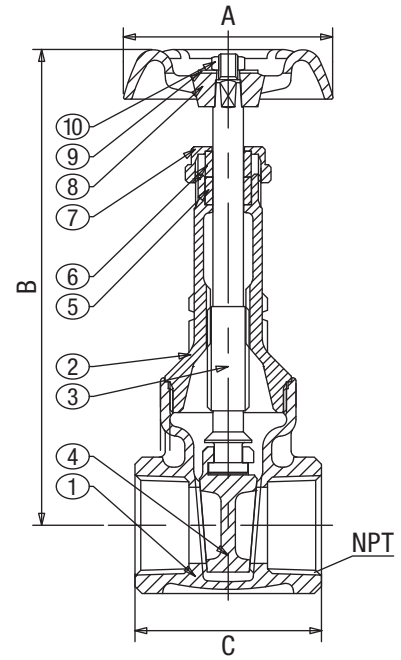


CRN

Solder (C x C)



Threaded (NPT x NPT)



GTVA-(T/S)BZ2333 Product Description

Class 150 bronze gate valve, rising stem, solid wedge, screwed-in bonnet, NPT or solder ends. CRN for all Canadian provinces and territories.

Working Pressure

- 150 PSI Saturated Steam
- 300 PSI Non-Shock Cold Working Pressure (CWP)

End Connection

- Solder
- Threaded (NPT)

Standard

- Conforms to MSS SP-80

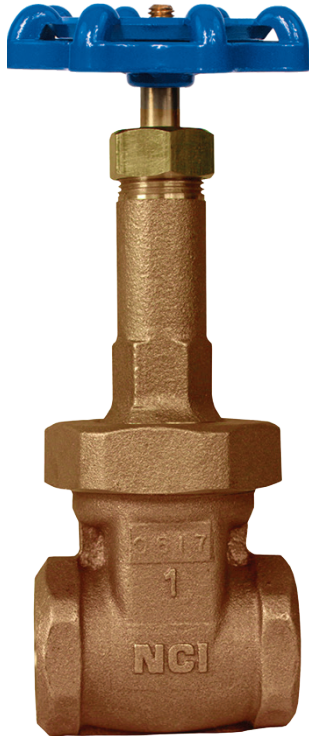
DIMENSIONS

SIZE DN		A		B		C				D		WEIGHT	
						THREADED ENDS		SOLDER ENDS		SOLDER ENDS			
mm	inch	mm	inch	mm	inch	mm	inch	mm	inch	mm	inch	lb	Kg
8	1/4"	53	2.09	126	4.96	46	1.81	46.0	1.81	30	1.18	0.71	0.32
10	3/8"	53	2.09	126	4.96	46	1.81	46.0	1.81	27	1.06	0.68	0.31
15	1/2"	53	2.09	129	5.08	51	2.01	48.0	1.89	23	0.91	1.01	0.46
20	3/4"	71	2.80	159	6.26	55	2.17	61.0	2.40	23	0.91	1.59	0.72
25	1"	71	2.80	189	7.44	63	2.48	73.0	2.87	27	1.06	2.43	1.10
32	1 1/4"	78	3.07	219	8.62	71	2.80	79.0	3.11	30	1.18	3.31	1.50
40	1 1/2"	90	3.54	246	9.69	73	2.87	88.0	3.46	32	1.26	4.96	2.25
50	2"	108	4.25	301	11.85	83	3.27	105.0	4.13	37	1.46	7.05	3.20
65	2 1/2"	150	5.91	369	14.53	108	4.25	-	-	-	-	12.79	5.80
80	3"	150	5.91	416	16.38	117	4.61	-	-	-	-	18.78	8.52

MATERIAL SPECIFICATIONS

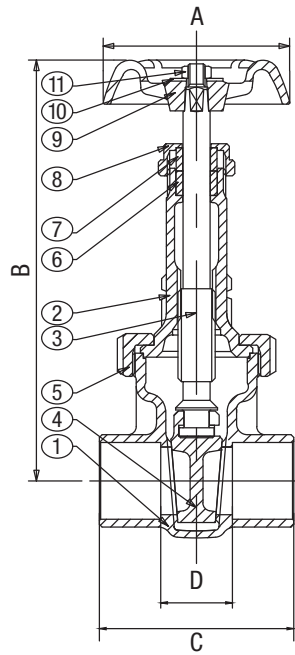
NO.	PART NAME	MATERIAL	STANDARD
1	Body	Bronze	ASTM B62 C83600
2	Bonnet	Bronze	ASTM B62 C83600
3	Stem	Bronze	ASTM B62 C83600
4	Wedge	Bronze	ASTM B62 C83600
5	Packing	Graphite	-
6	Gland	Brass	B124 C37700
7	Packing Nut (2-1/2" & 3")	Bronze	ASTM B62 C83600
	Packing Nut (1/4" - 2")	Brass	B124 C37700
8	Handwheel	Cast Iron	ASTM A126
9	Identification Plate	Aluminum	--
10	Handwheel Nut	Stainless Steel	ANSI 304

© 2018 NCI Canada Inc., Oakville, ON, Canada. All rights reserved. All valves information and its contents hereof are proprietary to NCI Canada Inc. Any unauthorized reproduction or disclosure, in whole or in part is strictly prohibited. All valves materials, images and data sheets in this catalogue / brochure is for general information and shall not be used for specific performance data and material selection without first consulting with NCI Canada Inc. NCI Canada reserves the right to change the enclosed valves information without notice. NCI Canada does not accept any liability or damages arising from the use of any valve information within this document. All trademarks and registered trademarks are owned by their respective companies.

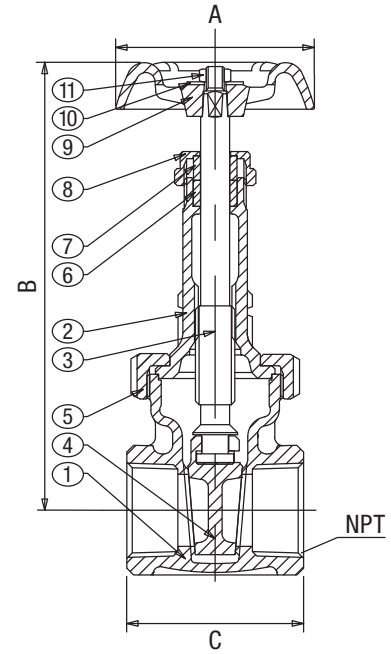


CRN

Solder (C x C)



Threaded (NPT x NPT)



GTVA-(T/S)BZ2333U Product Description

Class 150 bronze gate valve, rising stem, solid wedge, union bonnet, NPT or solder ends. CRN for all Canadian provinces and territories.

Working Pressure

- 150 PSI Saturated Steam
- 300 PSI Non-Shock Cold Working Pressure (CWP)

End Connection

- Solder
- Threaded (NPT)

Standard

- Conforms to MSS SP-80

DIMENSIONS													
SIZE DN		A		B		C				D		WEIGHT	
						THREADED ENDS		SOLDER ENDS		SOLDER ENDS			
mm	inch	mm	inch	mm	inch	mm	inch	mm	inch	mm	inch	lb	Kg
10	3/8"	53	2.09	126	4.96	46	1.81	46	1.81	27	1.06	0.68	0.31
15	1/2"	53	2.09	129	5.08	51	2.01	51	2.01	23	0.91	1.01	0.46
20	3/4"	71	2.80	159	6.26	55	2.17	55	2.17	23	0.91	1.59	0.72
25	1"	71	2.80	189	7.44	63	2.48	63	2.48	27	1.06	2.43	1.10
32	1 1/4"	78	3.07	219	8.62	71	2.80	71	2.80	30	1.18	3.31	1.50
40	1 1/2"	90	3.54	246	9.69	73	2.87	73	2.87	32	1.26	4.96	2.25
50	2"	108	4.25	301	11.85	83	3.27	83	3.27	37	1.46	7.05	3.20

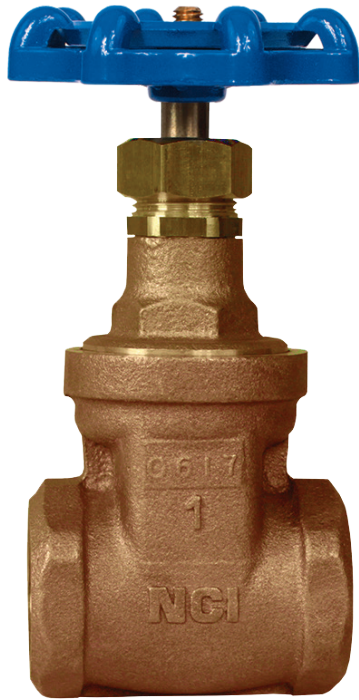
MATERIAL SPECIFICATIONS			
NO.	PART NAME	MATERIAL	STANDARD
1	Body	Bronze	ASTM B62 C83600
2	Union	Bronze	ASTM B62 C83600
3	Stem	Bronze	ASTM B62 C83600
4	Wedge	Bronze	ASTM B62 C83600
5	Union Ring	Bronze	ASTM B62 C83600
6	Packing	Graphite	-
7	Gland	Brass	B124 C37700
8	Packing Nut (2-1/2" & 3")	Bronze	ASTM B62 C83600
	Packing Nut (1/4" - 2")	Brass	B124 C37700
9	Handwheel	Cast Iron	ASTM A126
10	Identification Plate	Aluminum	-
11	Handwheel Nut	Stainless steel	ANSI 304

© 2018 NCI Canada Inc., Oakville, ON, Canada. All rights reserved. All valves information and its contents hereof are proprietary to NCI Canada Inc. Any unauthorized reproduction or disclosure, in whole or in part is strictly prohibited. All valves materials, images and data sheets in this catalogue / brochure is for general information and shall not be used for specific performance data and material selection without first consulting with NCI Canada Inc. NCI Canada reserves the right to change the enclosed valves information without notice. NCI Canada does not accept any liability or damages arising from the use of any valve information within this document. All trademarks and registered trademarks are owned by their respective companies.

GTVB-(T/S)BZ2333

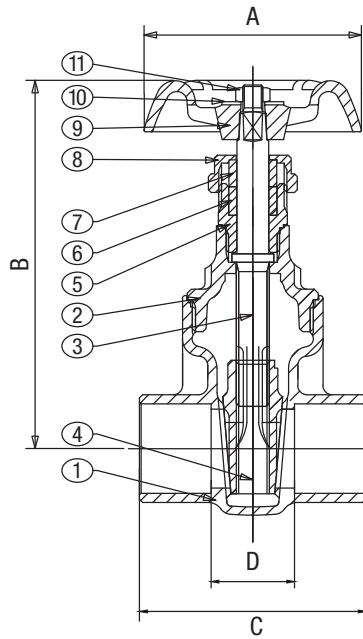
Class 150 | Bronze Gate Valve

Bronze Body | Solid Wedge | Non-Rising Stem | Screwed-in Bonnet

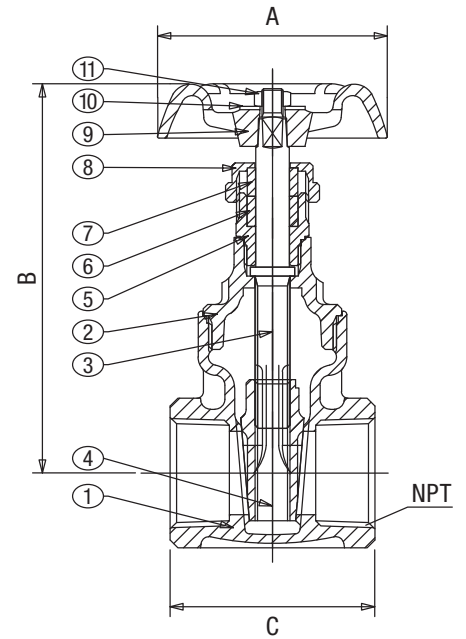


CRN

Solder (C x C)



Threaded (NPT x NPT)



GTVB-(T/S)BZ2333 Product Description

Class 150 bronze gate valve, non-rising stem, solid wedge, screwed-in bonnet, NPT or solder ends. CRN for all Canadian provinces and territories.

Working Pressure

- 150 PSI Saturated Steam
- 300 PSI Non-Shock Cold Working Pressure (CWP)

End Connection

- Solder
- Threaded (NPT)

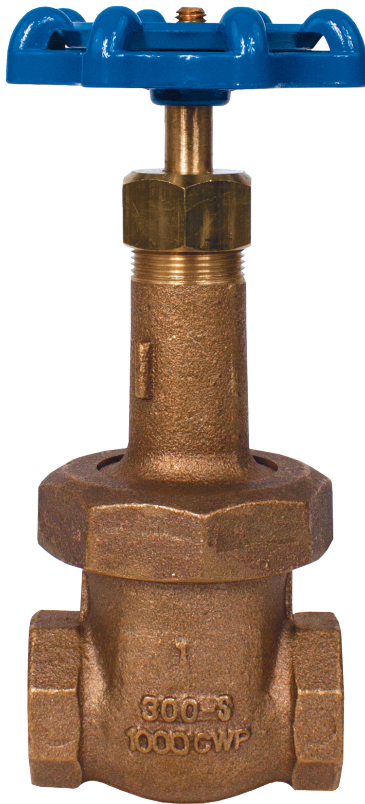
Standard

- Conforms to MSS SP-80

DIMENSIONS													
SIZE DN		A		B		C				D		WEIGHT	
						THREADED ENDS		SOLDER ENDS		SOLDER ENDS			
mm	inch	mm	inch	mm	inch	mm	inch	mm	inch	mm	inch	lb	Kg
8	1/4"	53	2.09	75	2.95	46	1.81	46	1.81	27	1.06	0.79	0.36
10	3/8"	53	2.09	75	2.95	46	1.81	46	1.81	27	1.06	0.77	0.35
15	1/2"	53	2.09	82	3.23	51	2.01	48	1.89	23	0.91	1.04	0.47
20	3/4"	71	2.80	95	3.74	55	2.17	61	2.40	23	0.91	1.32	0.60
25	1"	71	2.80	118	4.65	63	2.48	73	2.87	27	1.06	2.03	0.92
32	1 1/4"	78	3.07	144	5.67	71	2.80	79	3.11	30	1.18	3.11	1.41
40	1 1/2"	90	3.54	166	6.54	73	2.87	88	3.46	32	1.26	4.23	1.92
50	2"	108	4.25	190	7.48	83	3.27	105	4.13	37	1.46	6.00	2.72
65	2 1/2"	150	5.91	235	9.25	108	4.25	-	-	-	-	12.39	5.62
80	3"	150	5.91	251	9.88	117	4.61	-	-	-	-	17.39	7.89

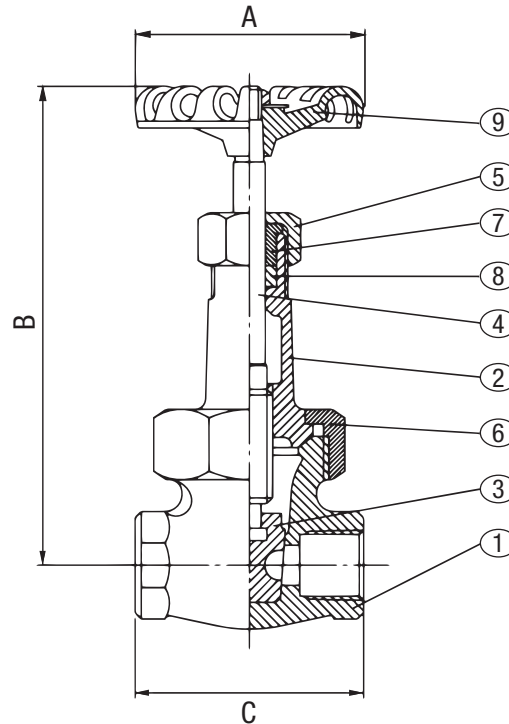
MATERIAL SPECIFICATIONS			
NO.	PART NAME	MATERIAL	STANDARD
1	Body	Bronze	ASTM B62 C83600
2	Bonnet	Bronze	ASTM B62 C83600
3	Stem	Bronze	ASTM B62 C83600
4	Wedge	Bronze	ASTM B62 C83600
5	Stuffing Box	Brass	B124 C37700
6	Packing Ring	Graphite	-
7	Gland	Brass	B124 C37700
8	Packing Nut (2-1/2" & 3")	Bronze	ASTM B62 C83600
	Packing Nut (1/4" - 2")	Brass	B124 C37700
9	Handwheel	Cast Iron	ASTM A126
10	Identification Plate	Aluminum	-
11	Handwheel Nut	Stainless steel	ANSI 304

© 2018 NCI Canada Inc., Oakville, ON, Canada. All rights reserved. All valves information and its contents hereof are proprietary to NCI Canada Inc. Any unauthorized reproduction or disclosure, in whole or in part is strictly prohibited. All valves materials, images and data sheets in this catalogue / brochure is for general information and shall not be used for specific performance data and material selection without first consulting with NCI Canada Inc. NCI Canada reserves the right to change the enclosed valves information without notice. NCI Canada does not accept any liability or damages arising from the use of any valve information within this document. All trademarks and registered trademarks are owned by their respective companies.



CRN

Threaded (NPT x NPT)



GTVA-TBZ3333U Product Description

Class 300 bronze gate valve, rising stem, solid wedge, union bonnet, NPT ends. CRN for all Canadian provinces and territories.

Working Pressure

- 300 PSI Saturated Steam
- 1000 PSI Non-Shock Cold Working Pressure (CWP)

End Connection

- Threaded (NPT)

Standard

- Conforms to MSS SP-80

SIZE DN		DIMENSIONS							
		A		B		C		WEIGHT	
mm	inch			mm	inch	mm	inch	lb	Kg
8	1/4"	55	2.17	126	4.96	54	2.13	-	-
10	3/8"	55	2.17	128	5.04	54	2.13	1.11	0.50
15	1/2"	63	2.48	162	6.38	60	2.36	2.10	0.95
20	3/4"	70	2.76	177	6.97	69	2.72	2.95	1.34
25	1"	90	3.54	211	8.31	80	3.15	4.34	1.97
32	1 1/4"	90	3.54	248	9.76	94	3.70	6.87	3.12
40	1 1/2"	100	3.94	282	11.10	105	4.13	9.54	4.34
50	2"	125	4.92	345	13.58	127	5.00	15.58	7.08

MATERIAL SPECIFICATIONS			
NO.	PART NAME	MATERIAL	STANDARD
1	Body	Bronze	ASTM B61-C92200
2	Bonnet	Bronze	ASTM B61-C92200
3	Wedge	Bronze	ASTM B62 C83600
4	Stem	Bronze	ASTM B62 C83600
5	Packing Nut (1/4"- 1-1/4")	Bronze	ASTM B16-C36000
	Packing Nut (1-1/2"- 2")	Brass	ASTM B62 C83600
6	Union Ring	Bronze	ASTM B61-C92200
7	Gland	Bronze	ASTM B16-C36000
8	Packing	Graphite	-
9	Handwheel	Aluminum	-

© 2018 NCI Canada Inc., Oakville, ON, Canada. All rights reserved. All valves information and its contents hereof are proprietary to NCI Canada Inc. Any unauthorized reproduction or disclosure, in whole or in part is strictly prohibited. All valves materials, images and data sheets in this catalogue / brochure is for general information and shall not be used for specific performance data and material selection without first consulting with NCI Canada Inc. NCI Canada reserves the right to change the enclosed valves information without notice. NCI Canada does not accept any liability or damages arising from the use of any valve information within this document. All trademarks and registered trademarks are owned by their respective companies.

GTVB-TBZ3333U

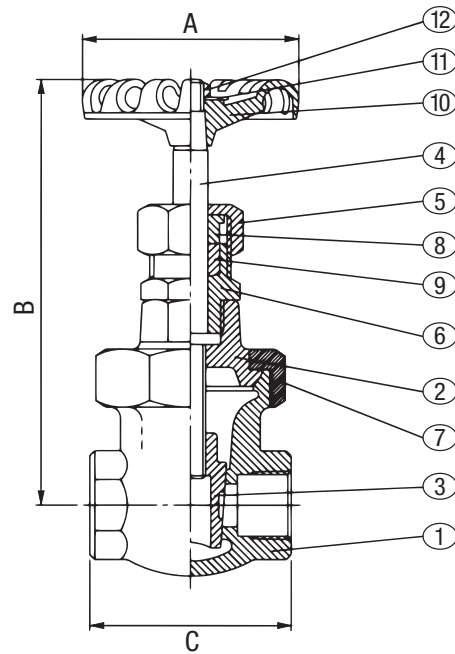
Class 300 | Bronze Gate Valve

Bronze Body | Non-Rising Stem | Integral Seat | Union Bonnet



CRN

Threaded (NPT x NPT)



GTVB-TBZ3333U Product Description

Class 300 bronze gate valve, non-rising stem, solid wedge, union bonnet, NPT ends. CRN for all Canadian provinces and territories.

Working Pressure

- 300 PSI Saturated Steam
- 1000 PSI Non-Shock Cold Working Pressure (CWP)

End Connection

- Threaded (NPT)

Standard

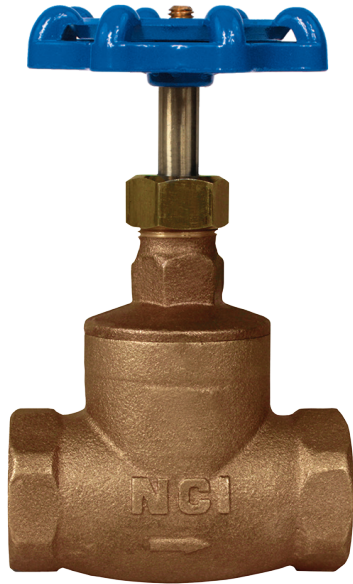
- Conforms to MSS SP-80

DIMENSIONS									
SIZE DN		A		B		C		WEIGHT	
mm	inch	mm	inch	mm	inch	mm	inch	lb	Kg
8	1/4"	55	2.17	103	4.06	54	2.13	-	-
10	3/8"	55	2.17	103	4.06	54	2.13	1.11	0.50
15	1/2"	63	2.48	126	4.96	60	2.36	2.10	0.95
20	3/4"	70	2.76	144	5.67	69	2.72	2.95	1.34
25	1"	90	3.54	164	6.46	80	3.15	4.34	1.97
32	1 1/4"	90	3.54	185	7.28	94	3.70	6.87	3.12
40	1 1/2"	100	3.94	201	7.91	105	4.13	9.54	4.34
50	2"	125	4.92	236	9.29	127	5.00	15.58	7.08

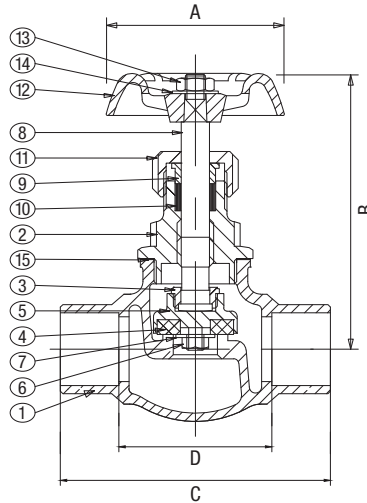
MATERIAL SPECIFICATIONS			
NO.	PART NAME	MATERIAL	STANDARD
1	Body	Bronze	ASTM B61-C92200
2	Bonnet	Bronze	ASTM B61-C92200
3	Wedge	Bronze	ASTM B62 C83600
4	Stem	Bronze	ASTM B62 C83600
5	Packing Nut (1/4"- 1-1/4")	Bronze	ASTM B16-C36000
	Packing Nut (1-1/2"- 2")	Bronze	ASTM B62 C83600
6	Stuffing Box (1/4"- 1-1/4")	Bronze	ASTM B16-C36000
	Stuffing Box (1-1/2"- 2")	Bronze	ASTM B62 C83600
7	Union Ring	Bronze	ASTM B61-C92200
8	Gland	Bronze	ASTM B16-C36000
9	Packing	Graphite	-
10	Handwheel	Aluminum	-
11	Name Plate	Aluminum	-

© 2018 NCI Canada Inc., Oakville, ON, Canada. All rights reserved. All valves information and its contents hereof are proprietary to NCI Canada Inc. Any unauthorized reproduction or disclosure, in whole or in part is strictly prohibited. All valves materials, images and data sheets in this catalogue / brochure is for general information and shall not be used for specific performance data and material selection without first consulting with NCI Canada Inc. NCI Canada reserves the right to change the enclosed valves information without notice. NCI Canada does not accept any liability or damages arising from the use of any valve information within this document. All trademarks and registered trademarks are owned by their respective companies.

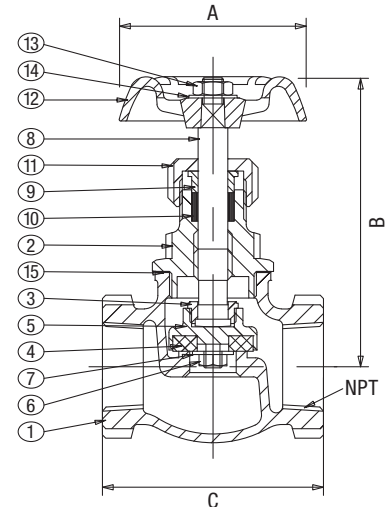
CRN



Solder (C x C)



Threaded (NPT x NPT)



GLBA-(T/S)BZ2360 Product Description

Class 150 bronze globe valve, PTFE renewable disc, integral seat, screwed-in bonnet, NPT or solder ends. CRN for all Canadian provinces and territories.

Working Pressure

- 150 PSI Saturated Steam
- 300 PSI Non-Shock Cold Working Pressure (CWP)

End Connection

- Solder
- Threaded (NPT)

Standard

- Conforms to MSS SP-80

DIMENSIONS											
SIZE DN	A		B		C		D		WEIGHT		
	mm	inch	mm	inch	mm	inch	mm	inch	lb	Kg	
8	1/4"	53	2.09	100	3.94	52	2.05	-	-	0.88	0.40
10	3/8"	53	2.09	100	3.94	52	2.05	-	-	0.86	0.39
15	1/2"	53	2.09	101	3.98	62	2.44	52	2.05	1.19	0.54
20	3/4"	71	2.80	115	4.53	74	2.91	60	2.36	1.43	0.65
25	1"	78	3.07	125	4.92	90	3.54	72	2.83	1.98	0.90
32	1 1/4"	78	3.07	150	5.91	100	3.94	80	3.15	3.48	1.58
40	1 1/2"	97	3.82	159	6.26	115	4.53	93	3.66	4.54	2.06
50	2"	108	4.25	191	7.52	136	5.35	114	4.49	7.30	3.31
65	2 1/2"	150	5.91	220	8.66	166	6.54	-	-	96.80	5.90
80	3"	198	7.80	255	10.04	190	7.48	-	-	110.20	10.30

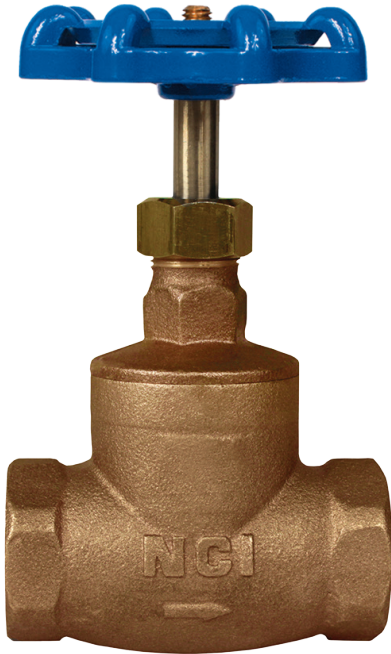
MATERIAL SPECIFICATIONS			
NO.	PART NAME	MATERIAL	STANDARD
1	Body	Bronze	ASTM B62 C83600
2	Bonnet	Bronze	ASTM B62 C83600
3	Disc Stem Ring	Brass	B124 C37700
4	Disc Ring	PTFE	-
5	Disc Holder	Bronze	ASTM B62 C83600
6	Nut	Bronze	ASTM B62 C83600
7	Washer (Sizes 1/4" - 2" only)	Brass	B124 C37700
8	Stem	Brass	B124 C37700
9	Gland	Brass	B124 C37700
10	Packing	Graphite	-
11	Packing Nut (1/4" - 2")	Brass	B124 C37700
	Packing Nut (2-1/2" - 3")	Bronze	ASTM B62 C83600
12	Handwheel	Cast Iron	ASTM A126
13	Handwheel Nut	Brass	B124 C37700
14	Identification Plate	Aluminum	-
15	Gasket (2 1/2")	Graphite	-
	Gasket (3")	Stainless Steel	ANSI 304

© 2018 NCI Canada Inc., Oakville, ON, Canada. All rights reserved. All valves information and its contents hereof are proprietary to NCI Canada Inc. Any unauthorized reproduction or disclosure, in whole or in part is strictly prohibited. All valves materials, images and data sheets in this catalogue / brochure is for general information and shall not be used for specific performance data and material selection without first consulting with NCI Canada Inc. NCI Canada reserves the right to change the enclosed valves information without notice. NCI Canada does not accept any liability or damages arising from the use of any valve information within this document. All trademarks and registered trademarks are owned by their respective companies.

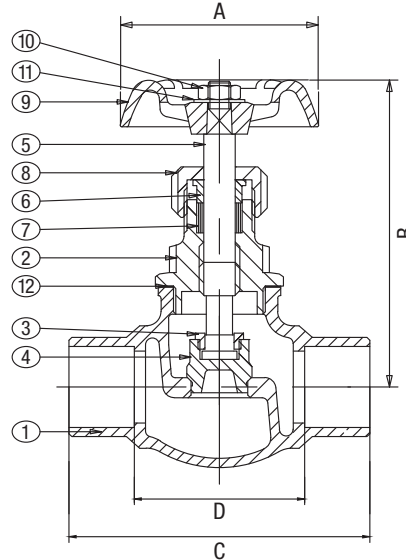
GLBA-(T/S)BZ2330

Class 150 | Bronze Globe Valve

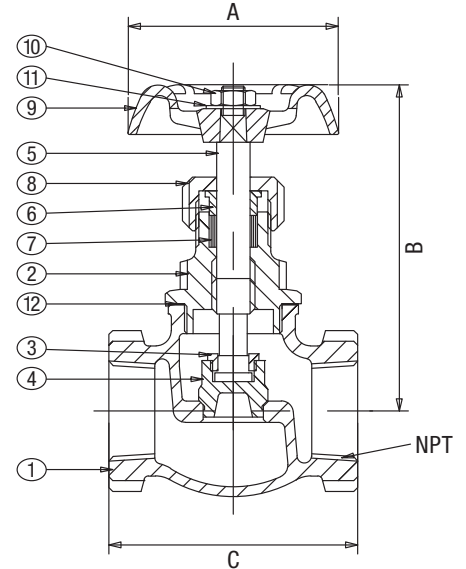
Bronze Body | Metal Disc | Integral Seat | Screwed-in Bonnet



Solder (C x C)



Threaded (NPT x NPT)



CRN

GLBA-(T/S)BZ2330 Product Description

Class 150 bronze globe valve, renewable metal disc, integral seat, screwed-in bonnet, NPT or solder ends. CRN for all Canadian provinces and territories.

Working Pressure

- 150 PSI Saturated Steam
- 300 PSI Non-Shock Cold Working Pressure (CWP)

End Connection

- Solder
- Threaded (NPT)

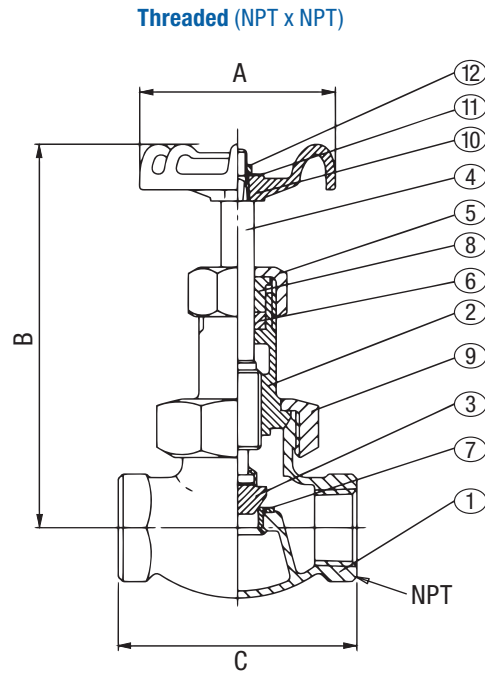
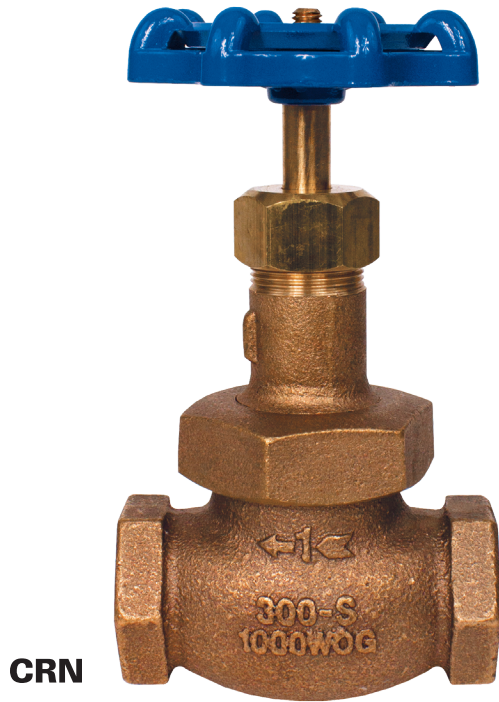
Standard

- Conforms to MSS SP-80

DIMENSIONS											
SIZE DN		A		B		C		D		WEIGHT	
								SOLDER ENDS			
mm	inch	mm	inch	mm	inch	mm	inch	mm	inch	lb	Kg
8	1/4"	53	2.09	100	3.94	52	2.05	-	-	0.88	0.40
10	3/8"	53	2.09	100	3.94	52	2.05	-	-	0.86	0.39
15	1/2"	53	2.09	101	3.98	62	2.44	52	2.05	1.19	0.54
20	3/4"	71	2.80	115	4.53	74	2.91	60	2.36	1.43	0.65
25	1"	78	3.07	125	4.92	90	3.54	72	2.83	1.98	0.90
32	1 1/4"	78	3.07	150	5.91	100	3.94	80	3.15	3.48	1.58
40	1 1/2"	97	3.82	159	6.26	115	4.53	93	3.66	4.54	2.06
50	2"	108	4.25	191	7.52	136	5.35	114	4.49	7.30	3.31
65	2 1/2"	150	5.91	220	8.66	166	6.54	-	-	96.80	5.90
80	3"	198	7.80	255	10.04	190	7.48	-	-	110.20	10.30

MATERIAL SPECIFICATIONS			
NO.	PART NAME	MATERIAL	STANDARD
1	Body	Bronze	ASTM B62 C83600
2	Bonnet	Bronze	ASTM B62 C83600
3	Disc Stem Ring	Brass	B124 C37700
4	Disc	Bronze	ASTM B62 C83600
5	Stem	Brass	B124 C37700
6	Gland	Brass	B124 C37700
7	Packing	Graphite	-
8	Packing Nut (1/4"- 2-1/2")	Brass	B124 C37700
	Packing Nut (3")	Bronze	ASTM B62 C83600
9	Handwheel	Cast Iron	ASTM A126
10	Handwheel Nut	Brass	B124 C37700
11	Identification Plate	Aluminum	-
12	Gasket (2 1/2")	Graphite	-
	Gasket (3")	Stainless Steel	ANSI 304

© 2018 NCI Canada Inc., Oakville, ON, Canada. All rights reserved. All valves information and its contents hereof are proprietary to NCI Canada Inc. Any unauthorized reproduction or disclosure, in whole or in part is strictly prohibited. All valves materials, images and data sheets in this catalogue / brochure is for general information and shall not be used for specific performance data and material selection without first consulting with NCI Canada Inc. NCI Canada reserves the right to change the enclosed valves information without notice. NCI Canada does not accept any liability or damages arising from the use of any valve information within this document. All trademarks and registered trademarks are owned by their respective companies.



GLBA-TBZ3443U Product Description

Class 300 bronze globe valve, renewable stainless steel disc and seat ring, union bonnet, NPT ends. CRN for all Canadian provinces and territories.

Working Pressure

- 300 PSI Saturated Steam
- 1000 PSI Non-Shock Cold Working Pressure (CWP)

End Connection

- Threaded (NPT)

Standard

- Conforms to MSS SP-80

DIMENSIONS									
SIZE DN		A		B		C		WEIGHT	
mm	inch	mm	inch	mm	inch	mm	inch	lb	Kg
10	3/8"	63	2.48	117	4.61	60	2.36	1.18	0.54
15	1/2"	63	2.48	131	5.16	67	2.64	1.55	0.70
20	3/4"	80	3.15	146	5.75	81	3.19	2.31	1.05
25	1"	90	3.54	161	6.34	96	3.78	3.78	1.72
32	1 1/4"	100	3.94	178	7.01	108	4.25	5.20	2.36
40	1 1/2"	110	4.33	201	7.91	121	4.76	7.45	3.39
50	2"	125	4.92	233	9.17	145	5.71	12.52	5.69

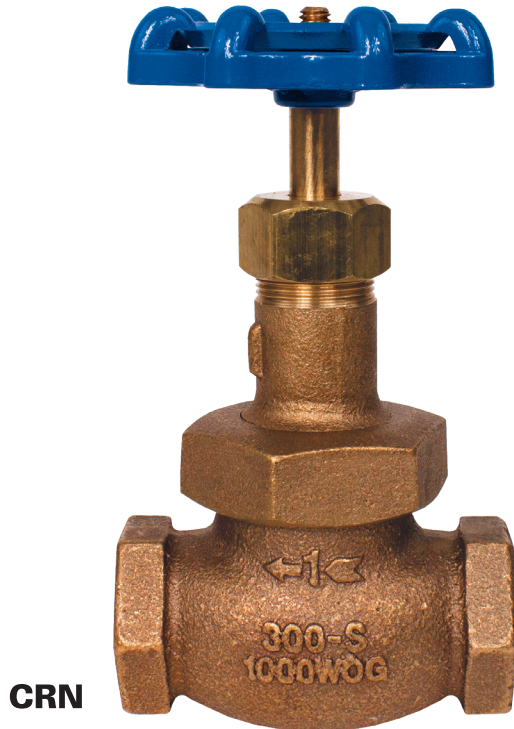
MATERIAL SPECIFICATIONS			
NO.	PART NAME	MATERIAL	STANDARD
1	Body	Bronze	ASTM B61-C92200
2	Bonnet	Bronze	ASTM B61-C92200
3	Disc	Stainless Steel	-
4	Stem	Bronze	ASTM B62 C83600
5	Packing Nut (1/4"- 1-1/4")	Bronze	ASTM B16-C36000
	Packing Nut (1-1/2"- 2")	Bronze	ASTM B62 C83600
6	Packing	Graphite	-
7	Seat Ring	Stainless Steel	-
8	Gland	Bronze	ASTM B16-C36000
9	Union Ring	Bronze	ASTM B61-C92200
10	Handwheel	Aluminum	-
11	Name Plate	Aluminum	-
12	Handwheel Nut	Steel	-

© 2018 NCI Canada Inc., Oakville, ON, Canada. All rights reserved. All valves information and its contents hereof are proprietary to NCI Canada Inc. Any unauthorized reproduction or disclosure, in whole or in part is strictly prohibited. All valves materials, images and data sheets in this catalogue / brochure is for general information and shall not be used for specific performance data and material selection without first consulting with NCI Canada Inc. NCI Canada reserves the right to change the enclosed valves information without notice. NCI Canada does not accept any liability or damages arising from the use of any valve information within this document. All trademarks and registered trademarks are owned by their respective companies.

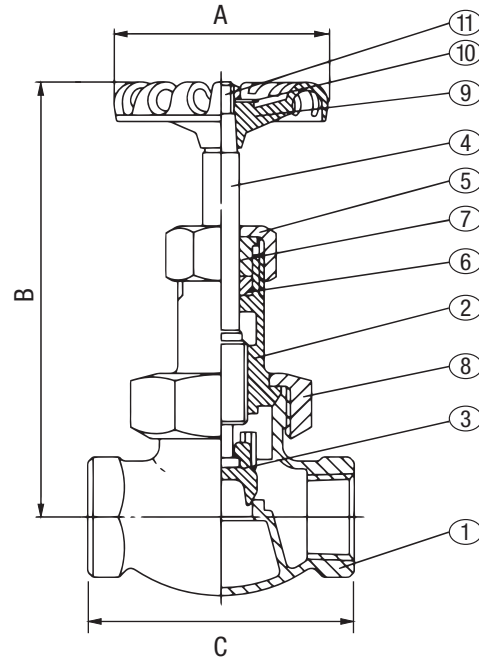
GLBA-TBZ3333U

Class 300 | Bronze Globe Valve

Bronze Body | Metal Disc | Integral Seat | Union Bonnet



Threaded (NPT x NPT)



GLBA-TBZ3333U Product Description

Class 300 bronze globe valve, renewable metal disc, integral seat, union bonnet, NPT ends. CRN for all Canadian provinces and territories.

Working Pressure

- 300 PSI Saturated Steam
- 1000 PSI Non-Shock Cold Working Pressure (CWP)

End Connection

- Threaded (NPT)

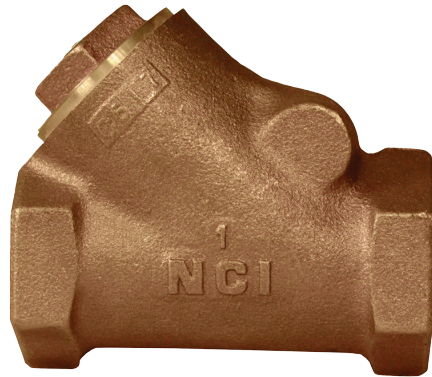
Standard

- Conforms to MSS SP-80

DIMENSIONS									
SIZE DN		A		B		C		WEIGHT	
mm	inch	mm	inch	mm	inch	mm	inch	lb	Kg
8	1/4"	55	2.17	106	4.17	55	2.17	-	-
10	3/8"	63	2.48	125	4.92	60	2.36	1.18	0.54
15	1/2"	63	2.48	131	5.16	67	2.64	1.55	0.70
20	3/4"	70	2.76	146	5.75	81	3.19	2.31	1.05
25	1"	80	3.15	160	6.30	96	3.78	3.78	1.72
32	1 1/4"	90	3.54	177	6.97	108	4.25	5.20	2.36
40	1 1/2"	110	4.33	204	8.03	121	4.76	7.45	3.39
50	2"	125	4.92	236	9.29	145	5.71	12.52	5.69

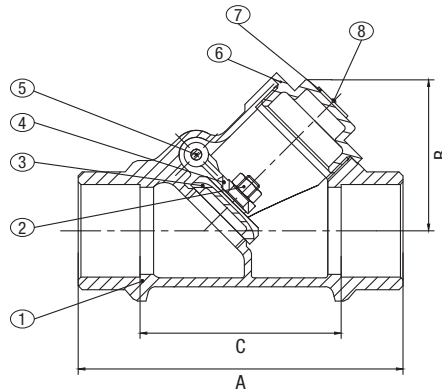
MATERIAL SPECIFICATIONS			
NO.	PART NAME	MATERIAL	STANDARD
1	Body	Bronze	ASTM B61-C92200
2	Bonnet	Bronze	ASTM B61-C92200
3	Disc	Bronze	ASTM B62 C83600
4	Stem	Bronze	ASTM B62 C83600
5	Packing Nut (1/4"- 1-1/4")	Bronze	ASTM B16-C36000
	Packing Nut (1-1/2"- 2")	Bronze	ASTM B62 C83600
6	Packing	Graphite	-
7	Gland	Bronze	ASTM B16-C36000
8	Union Ring	Bronze	ASTM B61-C92200
9	Handwheel	Aluminum	-
10	Name Plate	Aluminum	-
11	Handwheel Nut	Steel	-

© 2018 NCI Canada Inc., Oakville, ON, Canada. All rights reserved. All valves information and its contents hereof are proprietary to NCI Canada Inc. Any unauthorized reproduction or disclosure, in whole or in part is strictly prohibited. All valves materials, images and data sheets in this catalogue / brochure is for general information and shall not be used for specific performance data and material selection without first consulting with NCI Canada Inc. NCI Canada reserves the right to change the enclosed valves information without notice. NCI Canada does not accept any liability or damages arising from the use of any valve information within this document. All trademarks and registered trademarks are owned by their respective companies.

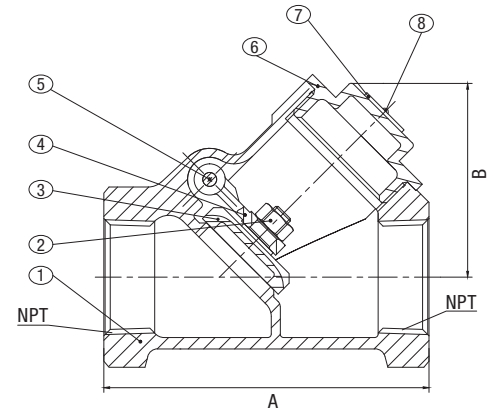


CRN

Solder (C x C)



Threaded (NPT x NPT)



CKVA-(T/S)BZ2331 Product Description

Class 150 bronze swing check valve, Y-pattern design, regrindable integral seat, bronze disc, NPT or solder ends. CRN for all Canadian provinces and territories.

Working Pressure

- 150 PSI Saturated Steam
- 300 PSI Non-Shock Cold Working Pressure (CWP)

End Connection

- Solder
- Threaded (NPT)

Standard

- Conforms to MSS SP-80

- Install 5 pipe diameters minimum downstream from pump discharge or change in direction to avoid flow turbulence.
- May be installed in both horizontal and vertical position with upward flow or in any intermediate position.
- **Warning: DO NOT use for reciprocating Air Compressor Service.**

SIZE DN		DIMENSIONS									
		A				B		C		WEIGHT	
		THREADED ENDS		SOLDER ENDS				SOLDER ENDS			
mm	inch	mm	inch	mm	inch	mm	inch	mm	inch	lb	Kg
8	1/4"	54	2.13	60	2.36	37	1.46	44	1.73	0.57	0.26
10	3/8"	54	2.13	63	2.48	37	1.46	44	1.73	0.50	0.25
15	1/2"	62	2.44	75	2.95	43	1.69	50	1.97	0.86	0.39
20	3/4"	76	2.99	98	3.86	52	2.05	60	2.36	1.36	0.62
25	1"	94	3.70	126	4.96	65	2.56	80	3.15	2.35	1.07
32	1 1/4"	110	4.33	139	5.47	76	2.99	90	3.54	3.35	1.65
40	1 1/2"	126	4.96	156	6.14	89	3.50	100	3.94	5.63	2.56
50	2"	152	5.98	190	7.48	108	4.25	122	4.80	8.91	4.05
65	2 1/2"	186	7.32	220	8.66	134	5.28	145	5.71	14.08	6.40
80	3"	218	8.58	251.2	9.89	160	6.30	166	6.54	20.46	9.30

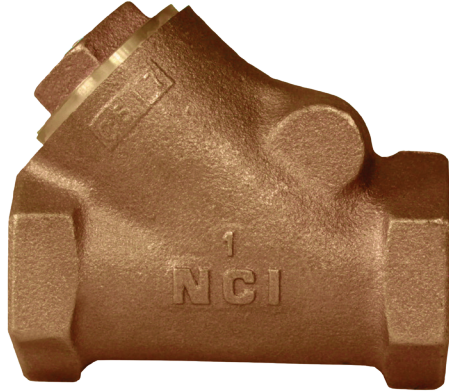
MATERIAL SPECIFICATIONS			
NO.	PART NAME	MATERIAL	STANDARD
1	Body	Bronze	ASTM B62 C83600
2	Nut	Stainless Steel	ANSI 304
3	Disc	Bronze	ASTM B62 C83600
4	Hinge	Bronze	ASTM B62 C83600
5	Hinge Pin	Stainless Steel	ANSI 304
6	Cap	Bronze	ASTM B62 C83600
7	ID Plate	Aluminum	-
8	Drive Pin	Steel-Electro Brassed	-

© 2018 NCI Canada Inc., Oakville, ON, Canada. All rights reserved. All valves information and its contents hereof are proprietary to NCI Canada Inc. Any unauthorized reproduction or disclosure, in whole or in part is strictly prohibited. All valves materials, images and data sheets in this catalogue / brochure is for general information and shall not be used for specific performance data and material selection without first consulting with NCI Canada Inc. NCI Canada reserves the right to change the enclosed valves information without notice. NCI Canada does not accept any liability or damages arising from the use of any valve information within this document. All trademarks and registered trademarks are owned by their respective companies.

CKVA-(T/S)BZ2361

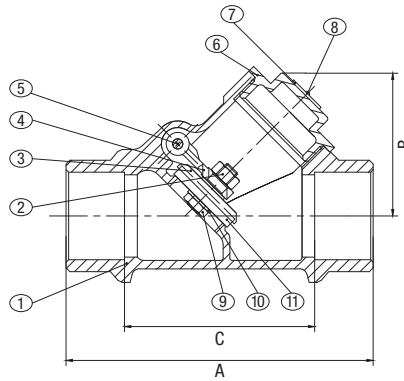
Class 150 | Bronze Check Valve

Bronze Body | PTFE Disc | Integral Seat | Y-Pattern

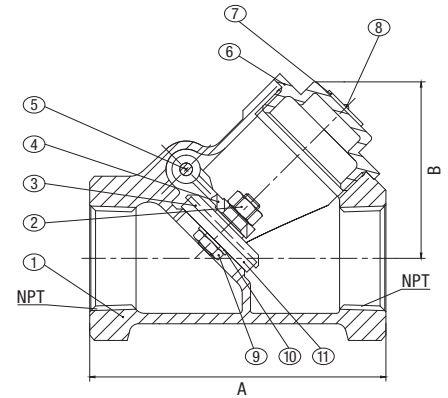


CRN

Solder (C x C)



Threaded (NPT x NPT)



CKVA-(T/S)BZ2361 Product Description

Class 150 bronze swing check valve, Y-pattern design, regrindable integral seat, PTFE disc, NPT or solder ends. CRN for all Canadian provinces and territories.

Working Pressure

- 150 PSI Saturated Steam
- 300 PSI Non-Shock Cold Working Pressure (CWP)

End Connection

- Solder
- Threaded (NPT)

Standard

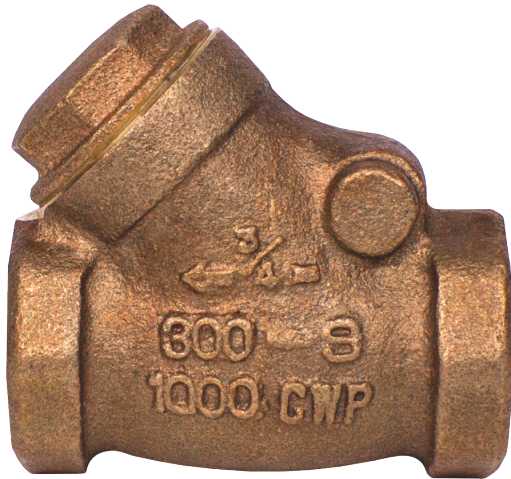
- Conforms to MSS SP-80

- Install 5 pipe diameters minimum down downstream from pump discharge or change in direction to avoid flow turbulence.
- May be installed in both horizontal and vertical position with upward flow or in any intermediate position.
- **Warning: DO NOT use for reciprocating Air Compressor Service.**

DIMENSIONS											
SIZE DN		A				B		C		WEIGHT	
		THREADED ENDS		SOLDER ENDS				SOLDER ENDS			
mm	inch	mm	inch	mm	inch	mm	inch	mm	inch	lb	Kg
8	1/4"	54	2.13	60	2.36	37	1.46	44	1.73	0.57	0.26
10	3/8"	54	2.13	63	2.48	37	1.46	44	1.73	0.50	0.25
15	1/2"	62	2.44	75	2.95	43	1.69	50	1.97	0.86	0.39
20	3/4"	76	2.99	98	3.86	52	2.05	60	2.36	1.36	0.62
25	1"	94	3.70	126	4.96	65	2.56	80	3.15	2.35	1.07
32	1 1/4"	110	4.33	139	5.47	76	2.99	90	3.54	3.35	1.65
40	1 1/2"	126	4.96	156	6.14	89	3.50	100	3.94	5.63	2.56
50	2"	152	5.98	190	7.48	108	4.25	122	4.80	8.91	4.05
65	2 1/2"	186	7.32	220	8.66	134	5.28	145	5.71	14.08	6.40
80	3"	218	8.58	251.2	9.89	160	6.30	166	6.54	20.46	9.30

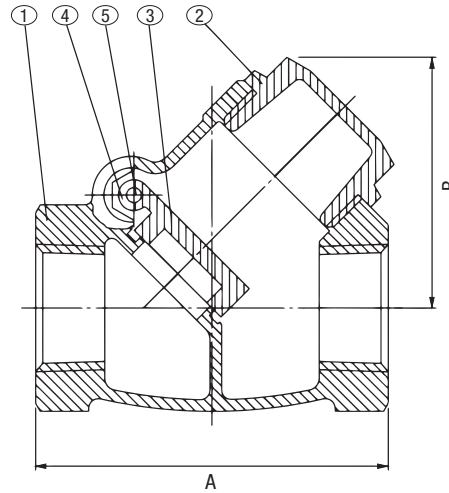
MATERIAL SPECIFICATIONS			
NO.	PART NAME	MATERIAL	STANDARD
1	Body	Bronze	ASTM B62 C83600
2	Nut	Brass	ASTM B16 C36000
3	Disc Holder	Bronze	ASTM B62 C83600
4	Hinge	Bronze	ASTM B62 C83600
5	Hinge Pin	Stainless Steel	ANSI 304
6	Cap	Bronze	ASTM B62 C83600
7	ID Plate	Aluminum	-
8	Drive Pin	Steel-ElectroBrassed	-
9	Nut	Brass	ASTM B16 C36000
10	Washer	Brass	B124 C37700
11	Disc	PTFE	-

© 2018 NCI Canada Inc., Oakville, ON, Canada. All rights reserved. All valves information and its contents hereof are proprietary to NCI Canada Inc. Any unauthorized reproduction or disclosure, in whole or in part is strictly prohibited. All valves materials, images and data sheets in this catalogue / brochure is for general information and shall not be used for specific performance data and material selection without first consulting with NCI Canada Inc. NCI Canada reserves the right to change the enclosed valves information without notice. NCI Canada does not accept any liability or damages arising from the use of any valve information within this document. All trademarks and registered trademarks are owned by their respective companies.



CRN

Threaded (NPT x NPT)



CKVA-TBZ3330 Product Description

Class 300 bronze swing check valve, Y-pattern design, regrindable integral seat, bronze disc, NPT ends. CRN for all Canadian provinces and territories.

Working Pressure

- 300 PSI Saturated Steam
- 1000 PSI Non-Shock Cold Working Pressure (CWP)

End Connection

- Threaded (NPT)

Standard

- Conforms to MSS SP-80

- Install 5 pipe diameters minimum down downstream from pump discharge or change in direction to avoid flow turbulence.
- May be installed in both horizontal and vertical position with upward flow or in any intermediate position.
- **Warning: DO NOT use for reciprocating Air Compressor Service.**

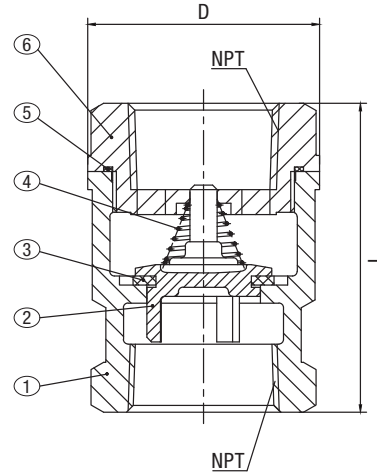
DIMENSIONS							
SIZE DN		A		B		WEIGHT	
mm	inch	mm	inch	mm	inch	lb	Kg
8	1/4"	55	2.17	40	1.57	-	-
10	3/8"	55	2.17	40	1.57	-	-
15	1/2"	64	2.52	45	1.77	0.77	0.35
20	3/4"	73	2.87	50	1.97	1.17	0.53
25	1"	89	3.50	65	2.56	1.98	0.90
32	1 1/4"	112	4.41	78	3.07	3.92	1.78
40	1 1/2"	118	4.65	88	3.46	4.39	2.00
50	2"	147	5.79	113	4.45	8.53	3.88

MATERIAL SPECIFICATIONS			
NO.	PART NAME	MATERIAL	STANDARD
1	Body	Bronze	ASTM B61-C92200
2	Bonnet	Bronze	ASTM B61-C92200
3	Disc	Bronze	ASTM B62 C83600
4	Plug	Bronze	ASTM B16-C36000
5	Hing Pin	Bronze	ASTM B16-C36000

© 2018 NCI Canada Inc., Oakville, ON, Canada. All rights reserved. All valves information and its contents hereof are proprietary to NCI Canada Inc. Any unauthorized reproduction or disclosure, in whole or in part is strictly prohibited. All valves materials, images and data sheets in this catalogue / brochure is for general information and shall not be used for specific performance data and material selection without first consulting with NCI Canada Inc. NCI Canada reserves the right to change the enclosed valves information without notice. NCI Canada does not accept any liability or damages arising from the use of any valve information within this document. All trademarks and registered trademarks are owned by their respective companies.



Threaded (NPT x NPT)



CKVB-TBZ2373/2363 Product Description

Class 150 bronze in-line lift check valve, Buna-N (BZ2373) or PTFE (BZ2363) disc, integral seat, stainless steel spring, NPT ends. CRN for all Canadian provinces and territories.

Working Pressure

- 150 PSI Saturated Steam (PTFE seat model only)
- 300 PSI Non-Shock Cold Working Pressure (CWP)

End Connection

- Threaded (NPT)

Standard

- Conforms to MSS SP-80

- Install 5 pipe diameters minimum down downstream from pump discharge or change in direction to avoid flow turbulence.
- May be installed in both horizontal and vertical position with upward flow or in any intermediate position.
- **Warning: DO NOT use for reciprocating Air Compressor Service.**

DIMENSIONS											
SIZE DN		D		L				B		WEIGHT	
				THREADED ENDS		SOLDER ENDS		SOLDER ENDS			
mm	inch	mm	inch	mm	inch	mm	inch	mm	inch	lb	Kg
15	1/2"	33	1.30	53	2.09	65	2.56	40	1.57	0.42	0.19
20	3/4"	41	1.61	60	2.36	80	3.15	42	1.65	0.64	0.29
25	1"	48	1.89	68	2.68	90	3.54	44	1.73	0.99	0.45
32	1 1/4"	58	2.28	79	3.11	100	3.94	51	2.01	1.46	0.66
40	1 1/2"	70	2.76	85	3.35	115	4.53	59	2.32	1.98	0.90
50	2"	82	3.23	98	3.86	138	5.43	70	2.76	3.31	1.50

MATERIAL SPECIFICATIONS			
NO.	PART NAME	MATERIAL	STANDARD
1	Body	Bronze	ASTM B62 C83600
2	Disc Holder	Bronze	ASTM B62 C83600
3	Seat Ring	NBR / PTFE	-
4	Spring	Stainless Steel	ANSI 304
5	Gasket	PTFE	-
6	Bonnet	Bronze	ASTM B62 C83600

© 2018 NCI Canada Inc., Oakville, ON, Canada. All rights reserved. All valves information and its contents hereof are proprietary to NCI Canada Inc. Any unauthorized reproduction or disclosure, in whole or in part is strictly prohibited. All valves materials, images and data sheets in this catalogue / brochure is for general information and shall not be used for specific performance data and material selection without first consulting with NCI Canada Inc. NCI Canada reserves the right to change the enclosed valves information without notice. NCI Canada does not accept any liability or damages arising from the use of any valve information within this document. All trademarks and registered trademarks are owned by their respective companies.

Commercial Butterfly Valve Index



C1546353



C1546355



B1546353



B1546355

Code Index

06 | C | 1 | 5 | 4 | 6 | 3 | 5 | 3
 ① ② ③ ④ ⑤ ⑥ ⑦ ⑧ ⑨

- 1 Size**
02 - 2"; 25 - 2 1/2"; 03 - 3"; 04 - 4"; 06 - 6"; 08 - 8";
10 - 10"; 12 - 12"
- 2 Body Style**
A - Wafer (ANSI 125/150); B - Wafer (ANSI 125 /
150) (PN10 / PN16); C - Lug (ANSI 125 / 150);
D - Double Flanged
- 3 Body Material**
1 - Cast Iron (A216B); 2 - Ductile Iron (A395);
3 - Carbon Steel; 4 - 316SS (A315CF8M)
- 4 Pressure Rating**
2 - 285 PSI; 3 - 275 PSI; 4 - 250 PSI; 5 - 200 PSI;
8 - 125 PSI
- 5 Disc Material**
2 - Nickel Plated Ductile Iron; 3 - Aluminium Bronze;
4 - 316SS (A351CF8M); 5 - Alloy 20; 6 - Monel;
7 - Hastelloy C; 8 - Nylon Coated Ductile Iron;
9 - PTFE Coated 316SS
- 6 Shaft Material**
1 - 416SS/413SS; 4 - 316SS; 5 - 17-4PH SS;
6 - 416SS
- 7 Bushing Material**
0 - Bronze; 3 - PTFE; 4 - RTFE+316SS
- 8 Seat/Liner**
1 - Buna-N; 4 - EPDM (NSF61); 5 - EPDM; 6 - Viton;
7 - RTFE; 8 - Hypalon; 9 - EPDM backed PTFE
- 9 Actuator**
3 - Lever Handle; 5 - Gear Operator; 6 - Pneumatic
Actuator; 9 - Electric Actuator; C - Buried Gear /
2" Nut; U - Chain Wheel; X - Bear Shift;

© 2018 NCI Canada Inc., Oakville, ON, Canada. All rights reserved. All valves information and its contents hereof are proprietary to NCI Canada Inc. Any unauthorized reproduction or disclosure, in whole or in part is strictly prohibited. All valves materials, images and data sheets in this catalogue / brochure is for general information and shall not be used for specific performance data and material selection without first consulting with NCI Canada Inc. NCI Canada reserves the right to change the enclosed valves information without notice. NCI Canada does not accept any liability or damages arising from the use of any valve information within this document. All trademarks and registered trademarks are owned by their respective companies.

C154635(3/5)

Class 125 | Cast-Iron Butterfly Valve

Cast-Iron Body | Lug Style

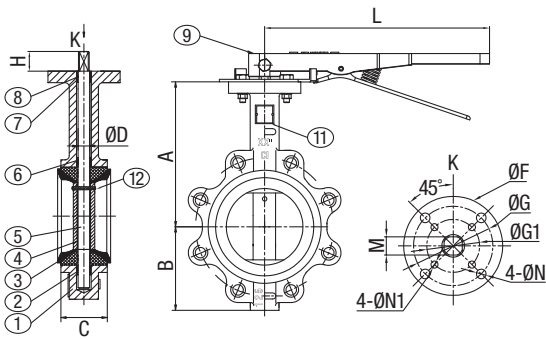
Lever Handle



Gear Operator



MATERIAL SPECIFICATIONS			
NO.	PART NAME	QTY	STANDARD
1	Body	1	ASTM A126 B
2	Lower Bushing	1	PTFE
3	Seat Ring	1	EPDM
4	Disc	1	ASTM A351 CF8M
5	Stem	1	ASTM A582 TYPE 416
6	Bushing I	1	PTPE
7	Bushing II	2	PTFE
8	O-Ring	1	NBR
11	Name Plate	1	SS304
12	Pin	1	ASTM A276 TYPE SS316



C154635(3/5) Product Description

200 PSI cast iron body lug style butterfly valves are manufactured with a 316 stainless steel disc and a 416 stainless steel stem. Lever operated (2" - 8") and gear operated (6" - 12"). The lever handle is lockable.

Working Pressure

- 125S, 200 WOG
- 2"-12" 200 PSI
- 14"-24" 150 PSI

Face to Face Dimensions

- MSS-SP-67-W1/W2

Standard

- Conforms to MSS SP-67

DIMENSIONS

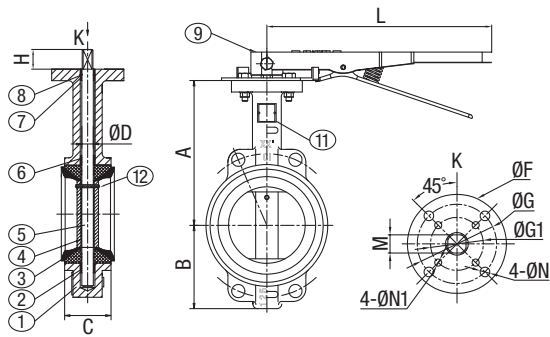
SIZE	A	B	C	H	ØF	ØG	4-ØN	ØG1	4-ØN1	ØD	M	L	L1	WEIGHT (LEVER OPERATED) LB KG	WEIGHT (GEAR OPERATED) LB KG		
2"	6.34	3.15	1.69	1.26	3.62	2.76	0.39	1.97	0.28	0.50	0.43	10.28	6.02	9.26	4.20	16.976	7.70
2.5"	6.89	3.50	1.81	1.26	3.62	2.76	0.39	1.97	0.28	0.50	0.43	10.28	6.02	11.07	5.02	18.67	8.47
3"	7.13	3.74	1.81	1.26	3.62	2.76	0.39	1.97	0.28	0.50	0.43	10.28	6.02	11.93	5.41	19.423	8.81
4"	7.87	4.49	2.05	1.26	3.62	2.76	0.39	1.97	0.28	0.62	0.55	10.28	6.02	18.56	8.42	26.01	11.80
5"	8.39	5.00	2.20	1.26	4.92	4.02	0.47	2.76	0.39	0.74	0.55	14.33	9.25	23.70	10.75	38.691	17.55
6"	8.9	5.51	2.20	1.26	5.91	4.92	0.55	4.02	0.47	0.74	0.67	14.33	9.25	31.92	14.48	47.64	21.61
8"	10.24	6.89	2.36	3.31	5.91	4.92	0.55	4.02	0.47	0.87	0.87	14.33	9.25	43.52	19.74	57.98	26.30
10"	11.5	8.66	2.68	3.31	6.89	5.51	0.71	4.92	0.55	1.12	0.87	21.26	9.25	50.38	22.85	73.19	33.20
12"	13.27	10.04	3.07	3.35	6.89	5.51	0.71	4.92	0.55	1.24	0.87	21.26	9.09	80.91	36.70	101.41	46.00
14"	14.49	10.55	3.07	3.35	6.89	5.51	0.71	4.92	0.55	1.24	0.94	-	10.91	-	-	167.55	76.00
16"	15.75	12.52	4.02	4.92	6.89	5.51	0.71	4.92	0.55	1.31	1.06	-	9.57	-	-	244.71	111.00
18"	16.61	14.37	4.49	4.92	6.89	5.51	0.71	4.92	0.55	1.49	1.06	-	9.57	-	-	295.42	134.00
20"	18.86	14.09	5.00	4.92	6.89	5.51	0.71	4.92	0.55	1.62	1.26	-	9.57	-	-	348.33	158.00
24"	22.13	19.29	6.06	5.39	8.27	6.50	0.87	5.51	0.71	1.99	1.42	-	11.65	-	-	606.27	275.00

© 2018 NCI Canada Inc., Oakville, ON, Canada. All rights reserved. All valves information and its contents hereof are proprietary to NCI Canada Inc. Any unauthorized reproduction or disclosure, in whole or in part is strictly prohibited. All valves materials, images and data sheets in this catalogue / brochure is for general information and shall not be used for specific performance data and material selection without first consulting with NCI Canada Inc. NCI Canada reserves the right to change the enclosed valves information without notice. NCI Canada does not accept any liability or damages arising from the use of any valve information within this document. All trademarks and registered trademarks are owned by their respective companies.

Lever Handle



Gear Operator



MATERIAL SPECIFICATIONS			
NO.	PART NAME	QTY	STANDARD
1	Body	1	ASTM A126 B
2	Lower Bushing	1	PTFE
3	Seat Ring	1	EPDM
4	Disc	1	ASTM A351 CF8M
5	Stem	1	ASTM A582 TYPE 416
6	Bushing I	1	PTFE
7	Bushing II	2	PTFE
8	O-Ring	1	NBR
11	Name Plate	1	SS304
12	Pin	1	ASTM A276 TYPE SS316

B154635(3/5) Product Description

200 PSI cast iron body wafer style butterfly valves are manufactured with a 316 stainless steel disc and a 416 stainless steel stem. Lever operated (2" - 8") and gear operated (6" - 12"). The lever handle is lockable.

Working Pressure

- 125S, 200 WOG
- 2"-12" 200 PSI
- 14"-24" 150 PSI

Face to Face Dimensions

- MSS-SP-67-W1/W2

Standard

- Conforms to MSS SP-67

DIMENSIONS																	
SIZE	A	B	C	H	ØF	ØG	4-ØN	ØG1	4-ØN1	ØD	M	L	L1	WEIGHT (LEVER OPERATED) LB KG		WEIGHT (GEAR OPERATED) LB KG	
2"	6.34	3.15	1.69	1.26	3.62	2.76	0.39	1.97	0.28	0.50	0.43	10.28	6.02	7.65	3.47	15.15	6.87
2.5"	6.89	3.50	1.81	1.26	3.62	2.76	0.39	1.97	0.28	0.50	0.43	10.28	6.02	9.63	4.37	17.42	7.90
3"	7.13	3.74	1.81	1.26	3.62	2.76	0.39	1.97	0.28	0.50	0.43	10.28	6.02	10.38	4.71	17.86	8.10
4"	7.87	4.49	2.05	1.26	3.62	2.76	0.39	1.97	0.28	0.62	0.55	10.28	6.02	12.61	5.72	20.13	9.13
5"	8.39	5.00	2.20	1.26	4.92	4.02	0.47	2.76	0.39	0.74	0.55	14.33	9.25	21.45	9.73	25.79	11.70
6"	8.90	5.51	2.20	1.26	5.91	4.92	0.55	4.02	0.47	0.74	0.67	14.33	9.25	24.87	11.28	27.89	12.65
8"	10.24	6.89	2.36	3.31	5.91	4.92	0.55	4.02	0.47	0.87	0.87	14.33	9.25	35.41	16.06	42.11	19.10
10"	11.50	8.66	2.68	3.31	6.89	5.51	0.71	4.92	0.55	1.12	0.87	21.26	9.25	44.31	20.10	65.70	29.80
12"	13.27	10.04	3.07	3.35	6.89	5.51	0.71	4.92	0.55	1.24	0.87	21.26	9.09	72.31	32.80	94.36	42.80
14"	14.49	10.55	3.07	3.35	6.89	5.51	0.71	4.92	0.55	1.24	0.94	-	10.91	-	-	145.50	66.00
16"	15.75	12.52	4.02	4.92	6.89	5.51	0.71	4.92	0.55	1.31	1.06	-	9.57	-	-	169.76	77.00
18"	16.61	14.37	4.49	4.92	6.89	5.51	0.71	4.92	0.55	1.49	1.06	-	9.57	-	-	227.08	103.00
20"	18.86	14.09	5.00	4.92	6.89	5.51	0.71	4.92	0.55	1.62	1.26	-	9.57	-	-	268.96	122.00
24"	22.13	19.29	6.06	5.39	8.27	6.50	0.87	5.51	0.71	1.99	1.42	-	11.65	-	-	485.02	220.00

© 2018 NCI Canada Inc., Oakville, ON, Canada. All rights reserved. All valves information and its contents hereof are proprietary to NCI Canada Inc. Any unauthorized reproduction or disclosure, in whole or in part is strictly prohibited. All valves materials, images and data sheets in this catalogue / brochure is for general information and shall not be used for specific performance data and material selection without first consulting with NCI Canada Inc. NCI Canada reserves the right to change the enclosed valves information without notice. NCI Canada does not accept any liability or damages arising from the use of any valve information within this document. All trademarks and registered trademarks are owned by their respective companies.

Butterfly Valve Engineering Data

Valve Seating Torques

VALVE SIZE	(ΔP :PSI)					
	ΔP=50	ΔP=75	ΔP=100	ΔP=150	ΔP=200	ΔP=250
	WET/DRY	WET/DRY	WET/DRY	WET/DRY	WET/DRY	WET/DRY
2"	12.3/19.7	12.7/20.2	13/20.8	13.9/22.1	15.1/24.2	27.1/43.4
2.5"	13/24.6	13.4/25.4	13.8/26.1	15.4/29.2	17.2/32.7	33.9/54.2
3"	19.8/37.5	20.4/38.7	21/39.9	21.7/41.1	23.1/43.7	40.7/65.1
4"	31.2/57.1	33.1/60.5	34.9/63.8	37.1/67.8	39.8/72.8	54.2/86.7
5"	48.9/85.1	51.4/89.3	53.8/93.8	57.9/101	61.9/108	94.9/151.8
6"	75.9/134	80.2/141	84.5/149	93.9/165	102/174	149.1/238.6
8"	137/236	145/250	154/264	173/297	192/330	257.6/412.2
10"	215/365	232/394	249/423	286/486	323/549	406.7/650.7
12"	314/512	343/559	371/605	429/699	490/799	583/932.8
14"	401/601	434/650	466/699	550/825	625/969	813.5/1627
16"	499/748	565/848	632/947	755/1133	846/1307	1084.6/2169.2
18"	653/1002	742/1113	831/1246	1012/1518	1131/1787	1423.6/2847.2
20"	837/1256	965/1447	1093/1639	1350/2025	1431/2288	1762.5/2525
24"	1308/1963	1494/2241	1679/2519	2111/3166	2301/3711	1965.9/3931.8
28"	2639/4235	2825/4375	3010/4515	3272/4908	-	-
30"	3200/4800	3344/5016	3487/5231	3768/5650	-	-
32"	3663/5813	3813/5958	3963/6103	4308/6462	-	-
36"	4590/6885	4752/7127	4913/7369	5257/7886	-	-
40"	7788/11682	8078/12116	8367/12550	8926/13389	-	-
42"	7881/11821	8157/12335	8433/12649	9024/13536	-	-
48"	10915/16449	11324/17025	11733/17600	12555/18833	-	-

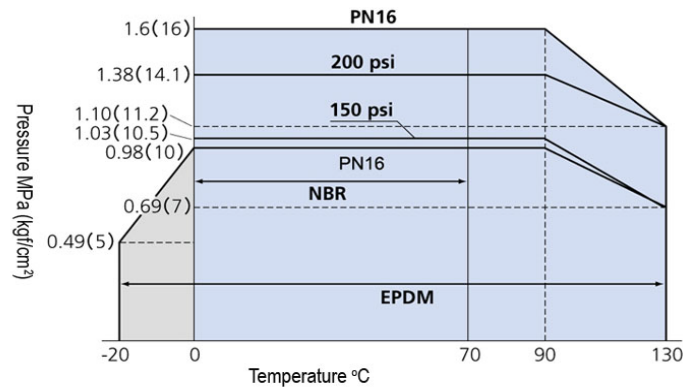
Cv Values - Valve Sizing Coefficients

SIZE	(US-GPM@Δ1P)								
	10°	20°	30°	40°	50°	60°	70°	80°	90°
2"	0.1	5	12	15	27	44	70	105	115
2.5"	0.2	8	20	25	45	75	119	178	196
3"	0.3	12	22	39	70	116	183	275	302
4"	0.5	17	36	78	139	230	364	546	600
5"	0.8	29	61	133	237	392	620	930	1022
6"	2.0	45	95	205	366	605	958	1437	1579
8"	3.0	89	188	408	727	1202	1903	2854	3136
10"	4.0	151	320	694	1237	2049	3240	4859	5430
12"	5.0	234	495	1072	1911	3162	5005	7507	8250
14"	6.0	338	715	1549	2761	4568	7230	10844	11917
16"	8.0	464	983	2130	3797	6282	9942	14913	16388
18"	11.0	615	1302	2822	5028	8320	13168	19752	21705
20"	14.0	791	1647	3628	6465	10698	16931	25396	27908
22"	16.8	949	1976	4353	7758	12837	20317	30475	33576
24"	22.0	1222	2587	5605	9989	16528	26157	39236	43116

Kv Values

SIZE	(M³/H ΔP)								
	10°	20°	30°	40°	50°	60°	70°	80°	90°
2"	0.09	4.28	10.28	12.85	23.14	37.70	59.98	89.97	98.54
2.5"	0.17	6.86	17.14	21.42	38.56	64.27	101.97	152.53	167.95
3"	0.26	10.28	18.85	33.42	59.98	99.40	156.81	235.65	258.78
4"	0.43	14.57	30.85	66.84	119.11	197.09	311.91	467.87	514.14
5"	0.69	24.85	52.27	113.97	203.08	335.90	531.28	796.92	875.75
6"	1.71	38.56	81.41	175.66	313.62	518.42	820.91	1231.36	1353.04
8"	2.57	76.26	161.10	349.61	622.96	1029.99	1630.68	2445.59	2687.23
10"	18.00	129.39	274.21	594.69	1059.98	1755.78	2776.35	4163.67	4652.96
12"	36.00	200.51	424.16	918.59	1637.53	2709.51	4288.77	6432.73	7069.41
14"	112.00	289.63	612.68	1327.34	2365.90	3914.31	6195.37	9292.20	10211.65
16"	159.00	397.60	842.33	1825.19	3253.64	5383.03	8519.28	12778.92	14042.84
18"	200.00	526.99	1115.68	2418.17	4308.48	7129.39	11283.63	16925.45	18598.97
20"	260.00	677.81	1411.31	3108.83	5539.85	9167.10	14508.14	21761.78	23914.31
22"	301.00	813.20	1693.23	3730.08	6647.81	11000.00	17409.60	26113.97	28771.21
24"	345.00	1047.13	2216.80	4802.91	8559.55	14162.81	22413.88	33621.25	36946.02

Pressure Temperature Chart



© 2018 NCI Canada Inc., Oakville, ON, Canada. All rights reserved. All valves information and its contents hereof are proprietary to NCI Canada Inc. Any unauthorized reproduction or disclosure, in whole or in part is strictly prohibited. All valves materials, images and data sheets in this catalogue / brochure is for general information and shall not be used for specific performance data and material selection without first consulting with NCI Canada Inc. NCI Canada reserves the right to change the enclosed valves information without notice. NCI Canada does not accept any liability or damages arising from the use of any valve information within this document. All trademarks and registered trademarks are owned by their respective companies.

Cast Iron Gate, Globe and Check Valve Index



GTVA-FCI-1333HW



GTVB-FCI-1333HW



GLBA-FCI-1333HW



CKVA-FCI1330

Code Index

GTVA | F | CI | 1 | 3 | 3 | 3 | HW
 ① | ② | ③ | ④ | ⑤ | ⑥ | ⑦ | ⑧

① Valve Category

GTVA - Gate Valves (**A** - OS&Y; **B** - N.R.S.)
GLBA - Globe Valves (**A** - Straight body; **B** - Angle body)
CKVA - Check Valves (**A** - Swing check; **B** - Lift check)

② Connection Style

B - Butt Weld; **C** - Combination; **F** - Flanged;
G - Grooved; **M** - Mechanical Joint, **P** - Push-on;
S - Socket Weld; **T** - Thread

③ Body Material

BS - Brass; **BZ** - Bronze; **CI** - Cast Iron; **CS** - Cast Steel;
DI - Ductile Iron; **FS** - Forged Steel; **SS** - Stainless Steel

④ Pressure Rating

12 - 125 PSI; **2** - 150 PSI; **3** - 300 PSI; **5** - 250 PSI;
7 - 350 PSI; **8** - 800 PSI

⑤ Seat Material

0 - Brass; **1** - Ductile Iron; **2** - Cast Iron; **3** - Bronze;
4 - Stainless Steel; **5** - EPDM; **6** - PTFE; **7** - BUNA N;
8 - Polyamide; **9** - Viton

⑥ Disc Material

0 - Brass; **1** - Ductile Iron; **2** - Cast Iron; **3** - Al.Bronze;
4 - Stainless Steel; **5** - EPDM; **6** - PTFE

⑦ Stem/Bushing Material

0 - Brass; **1** - Stainless Steel; **2** - 1-4PH; **3** - Bronze

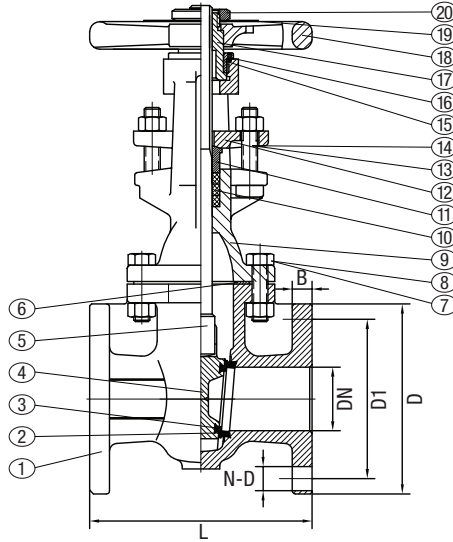
⑧ Accessories

HW - Handwheel; **SN** - Square Nut; **GB** - Gear box;
MA - Motor Actuator; **PA** - Pneumatic Actuator

GTVA-FCI1333-HW

Class 125 | Cast Iron Gate Valve

Cast Iron Body | Flanged Ends | OS&Y Type



MATERIAL SPECIFICATIONS			
NO.	PART NAME	MATERIAL	STANDARD
1	Body	Cast Iron	ASTM A126 B
2	Seat Ring	Cast Bronze	ASTM B62
3	Wedge Seat Ring	Cast Bronze	ASTM B62
4	Wedge	Cast Iron	ASTM A126 B
5	Stem	Brass	ASTM B16
6	Body Gasket	Graphite	NON ASBESTOS
7	Bolts	Steel	ASTM A307 B
8	Nuts	Steel	ASTM A307 B
9	Bonnet	Cast Iron	ASTM A126 B
10	Packing	Graphite	NON ASBESTOS
11	Packing Gland	Cast Brass	ASTM B16
12	Gland Follower	Ductile Iron	ASTM A536
13	Bolts	Steel	ASTM A307 B
14	Nuts	Steel	ASTM A307 B
15	Wedge Nut	Cast Brass	ASTM B16
16	Screws	Steel	ASTM A307 B
17	Yoke Bushing Nut	Cast Iron	ASTM A126 B
18	Handwheel	Cast Iron	ASTM A126 B
19	Identification Plate	Aluminum	COMMERCIAL

GTVA-FCI1333-HW Product Description

Class 125 rated (200 CWP) iron body gate valve with flanged ends. Rising stem gate valves, solid wedge body, bolted bonnet with an outside screw and yoke (OS&Y) design.

Working Pressure

- 125S, 200 WOG
- 2"-12" 200 PSI
- 14"-24" 150 PSI

Face to Face Dimensions

- Conforms to ANSI B16.10 (125 Lb).

Standard

- Conforms to MSS SP-70

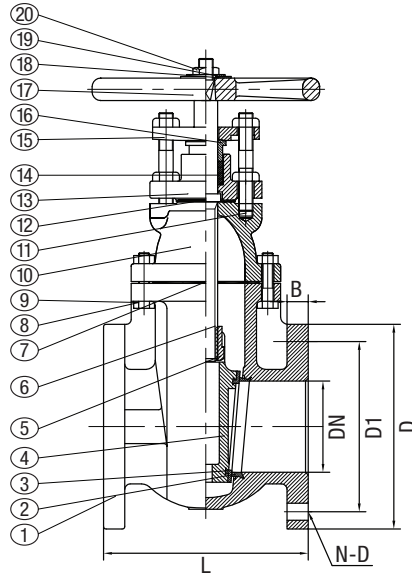
SIZE DN	mm	51	63.5	76	102	127	152	203	254	305	356	406	457	508	610
	inch	2	2.5	3	4	5	6	8	10	12	14	16	18	20	24
L	mm	177.8	190.5	203.2	228.6	254.0	266.7	292.1	330.2	355.6	381.0	406.0	432.0	457.0	508.0
	inch	7.00	7.50	8.00	9.00	10.00	10.50	11.50	13.00	14.00	15.00	15.98	17.01	17.99	20.00
D	mm	152.0	178.0	191.0	229.0	254.0	279.0	343.0	406.0	483.0	533.0	597.0	635.0	699.0	813.0
	inch	5.98	7.01	7.52	9.02	10.00	10.98	13.50	15.98	19.02	20.98	23.50	25.000	27.52	32.01
D1	mm	120.7	139.7	152.4	190.5	215.9	241.3	298.5	362.0	431.8	476.3	539.8	577.9	635.0	749.3
	inch	4.75	5.50	6.00	7.50	8.50	9.50	11.75	14.25	17.00	18.75	21.25	22.75	25.00	29.50
B	mm	15.80	17.50	19.00	23.90	23.90	25.40	28.50	30.20	31.80	35.00	36.60	39.70	42.90	47.70
	inch	0.62	0.69	0.75	0.94	0.94	1.00	1.12	1.19	1.25	1.38	1.44	1.56	1.69	1.88
N-D	mm	4-19	4-19	4-19	8-19	8-22	8-22	8-22	12-25	12-25	12-29	16-29	16-32	20-32	20-35
	inch	4-0.75	4-0.75	4-0.75	8-0.75	8-0.875	8-0.875	8-0.875	12-1	12-1	12-1.125	16-1.125	16-1.25	20-1.25	20-1.375
WEIGHT	lb	30.20	44.09	54.67	83.78	127.87	152.12	242.51	396.83	551.16	932.55	1139.79	1615.99	2023.84	2799.87
	Kg	13.7	20.0	24.8	38.0	58.0	69.0	110.0	180.0	250.0	423.0	517.0	733.0	918.0	1270.0

© 2018 NCI Canada Inc., Oakville, ON, Canada. All rights reserved. All valves information and its contents hereof are proprietary to NCI Canada Inc. Any unauthorized reproduction or disclosure, in whole or in part is strictly prohibited. All valves materials, images and data sheets in this catalogue / brochure is for general information and shall not be used for specific performance data and material selection without first consulting with NCI Canada Inc. NCI Canada reserves the right to change the enclosed valves information without notice. NCI Canada does not accept any liability or damages arising from the use of any valve information within this document. All trademarks and registered trademarks are owned by their respective companies.

Class 125 | Cast Iron Gate Valve

Cast Iron Body | Flanged Ends | Non-Rising Stem

GTVB-FCI1333-HW



MATERIAL SPECIFICATIONS

NO.	PART NAME	MATERIAL	STANDARD
1	Body	Cast Iron	ASTM A126 B
2	Seat Ring	Cast Bronze	ASTM B62
3	Wedge Seat Ring	Cast Bronze	ASTM B62
4	Wedge	Cast Iron	ASTM A126 B
5	Stem Nut	Cast Brass	ASTM B16
6	Stem	Brass	ASTM B16
7	Body Gasket	Graphite	NON ASBESTOS
8	Bolts	Steel	ASTM A307 B
9	Nuts	Steel	ASTM A307 B
10	Bonnet	Cast Iron	ASTM A126 B
11	Gland Follower Bolt	Steel	ASTM A307 B
12	Stuffing Box Gasket	Graphite	NON ASBESTOS
13	Stuffing Box	Cast Iron	ASTM A126 B
14	Packing	Graphite	NON ASBESTOS
15	Packing Gland	Cast Brass	ASTM B16
16	Gland Follower	Ductile Iron	ASTM A536
17	Handwheel	Cast Iron	ASTM A126 B
18	Identification Plate	Aluminum	COMMERCIAL
19	Washer	Steel	ASTM A307 B
20	Nut	Steel	ASTM A307 B

GTVB-FCI1333-HW Product Description

Class 125 rated (200 CWP) iron body gate valve with flanged ends. Our non-rising stem gate valves are bolted bonnet with a non-rising stem design. Solid wedge iron body gate valve is bronze mounted.

Working Pressure

- 125S, 200 WOG
- 2"-12" 200 PSI
- 14"-24" 150 PSI

Face to Face Dimensions

- Conforms to ANSI B16.10 (125 Lb).

Standard

- Conforms to MSS SP-70

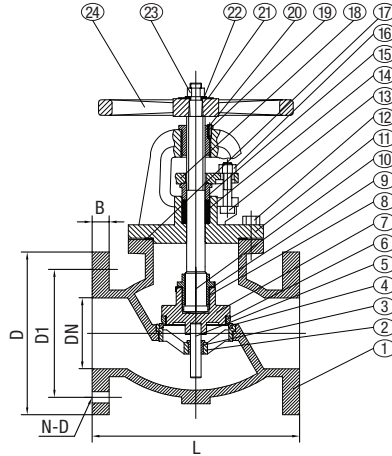
SIZE DN	mm	51	63.5	76	102	127	152	203	254	305	356	406	457	508	610
	inch	2	2 ½	3	4	5	6	8	10	12	14	16	18	20	24
L	mm	177.8	190.5	203.2	228.6	254.0	266.7	292.1	330.2	355.6	381.0	406.0	432.0	457.0	508.0
	inch	7.00	7.50	8.00	9.00	10.00	10.50	11.50	13.00	14.00	15.00	15.98	17.01	17.99	20.00
D	mm	152.0	178.0	191.0	229.0	254.0	279.0	343.0	406.0	483.0	533.0	597.0	635.0	699.0	813.0
	inch	5.98	7.01	7.52	9.02	10.00	10.98	13.50	15.98	19.02	20.98	23.50	25.00	27.52	32.01
D1	mm	120.70	139.70	152.40	190.50	215.90	241.30	298.50	362.00	431.80	476.30	539.80	577.90	635.00	749.30
	inch	4.75	5.50	6.00	7.50	8.50	9.50	11.75	14.25	17.00	18.75	21.25	22.75	25.00	29.50
B	mm	15.80	17.50	19.00	23.90	23.90	25.40	28.50	30.20	31.80	35.00	36.60	39.70	42.90	47.70
	inch	0.62	0.69	0.75	0.94	0.94	1.00	1.12	1.19	1.25	1.38	1.44	1.56	1.69	1.88
N-D	mm	4-19	4-19	4-19	8-19	8-22	8-22	8-22	12-25	12-25	12-29	16-29	16-32	20-32	20-35
	inch	4-0.75	4-0.75	4-0.75	8-0.75	8-0.875	8-0.875	8-0.875	12-1	12-1	12-1.125	16-1.125	16-1.25	20-1.25	20-1.375
WEIGHT	lb	30.42	41.45	49.38	84.22	133.16	155.43	224.87	372.58	473.99	828.94	1018.53	1549.85	1990.77	2469.17
	Kg	13.8	18.8	22.4	38.2	60.4	70.5	102.0	169.0	215.0	376.0	462.0	703.0	903.0	1120.0

© 2018 NCI Canada Inc., Oakville, ON, Canada. All rights reserved. All valves information and its contents hereof are proprietary to NCI Canada Inc. Any unauthorized reproduction or disclosure, in whole or in part is strictly prohibited. All valves materials, images and data sheets in this catalogue / brochure is for general information and shall not be used for specific performance data and material selection without first consulting with NCI Canada Inc. NCI Canada reserves the right to change the enclosed valves information without notice. NCI Canada does not accept any liability or damages arising from the use of any valve information within this document. All trademarks and registered trademarks are owned by their respective companies.

GLBA-FCI1333-HW

Class 125 | Cast Iron Globe Valve

Cast Iron Body | Flanged Ends | Renewable Seat & Disc*



MATERIAL SPECIFICATIONS			
NO.	PART NAME	MATERIAL	STANDARD
1	Body	Cast Iron	ASTM A126 B
2	Seat	Cast Bronze	ASTM B62
3	Gland Guide	Brass	ASTM B16
4	Seat Ring	Cast Bronze	ASTM B62
5	Stem Guide	Brass	ASTM B16
6	Disc Ring	Cast Bronze	ASTM B62
7	Disc	Cast Iron	ASTM A126 B
8	Swivel Nut	Cast Brass	ASTM B16
9	Gasket	Brass	ASTM B16
10	Stem	Brass	ASTM B16
11	Bonnet	Cast Iron	ASTM A126 B
12	Bolts	Steel	ASTM A307 B
13	Bolts	Steel	ASTM A307 B
14	Packing	Graphite	NON ASBESTOS
15	Packing Gland	Cast Brass	ASTM B16
16	Nuts	Steel	ASTM A307 B
17	Body Gasket	Graphite	NON ASBESTOS
18	Gland Follower	Ductile Iron	ASTM A536
19	Screws	Steel	ASTM A307 B
20	Stem Nut	Cast Bronze	ASTM B62
21	Identification Plate	Aluminum	COMMERCIAL
22	Washer	Steel	ASTM A307 B
23	Nut	Steel	ASTM A307 B
24	Handwheel	Cast Iron	ASTM A126 B

GLBA-FCI1333-HW Product Description

Class 125 rated (200 CWP) iron body globe valve with flanged ends, bolted bonnet and are bronze mounted. Meets MSS SP-85 standards and has a renewable disc and seat*.

Working Pressure

- 125S, 200 WOG

Face to Face Dimensions

- Conforms to ANSI B16.10 (125 Lb).

Standard

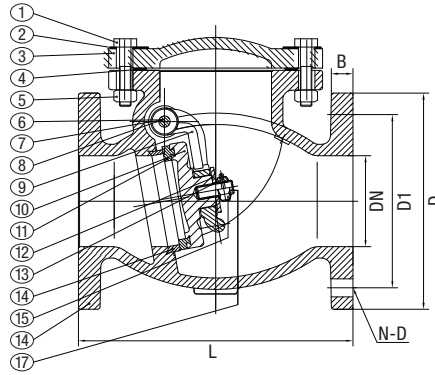
- Conforms to MSS SP-85

SIZE	DN	mm	51	63.5	76	102	127	152	203	254	305
		inch	2	2 ½	3	4	5	6	8	10	12
L	mm	203	216	241	292	330	356	495	622	698	
	inch	8.0	8.5	9.5	11.5	13.0	14.0	19.5	24.5	27.5	
D	mm	152	178	191	229	254	279	343	406	483	
	inch	6.0	7.0	7.5	9.0	10.0	11.0	13.5	16.0	19.0	
D1	mm	120.7	139.7	152.4	190.5	215.9	241.3	298.5	362	431.8	
	inch	4.8	5.5	6.0	7.5	8.5	9.5	11.8	14.3	17.0	
B	mm	15.8	17.5	19	23.9	23.9	25.4	28.5	30.2	31.8	
	inch	0.62	0.69	0.75	0.94	0.94	1.00	1.12	1.19	1.25	
N-D	mm	4-19	4-19	4-19	8-19	8-22	8-22	8-22	12-25	12-25	
	inch	4-3/4	4-3/4	4-3/4	8-3/4	8-7/8	8-7/8	8-7/8	12-1	12-1	
WEIGHT	lb	42.990	47.399	57.320	90.389	133.380	191.802	310.851	480.607	630.521	
	Kg	19.50	21.5	26.00	41.0	60.5	87.0	141.0	218	286	

* With Proper Machining Capabilities.

* Not to be used for reciprocation air compressor applications.

© 2018 NCI Canada Inc., Oakville, ON, Canada. All rights reserved. All valves information and its contents hereof are proprietary to NCI Canada Inc. Any unauthorized reproduction or disclosure, in whole or in part is strictly prohibited. All valves materials, images and data sheets in this catalogue / brochure is for general information and shall not be used for specific performance data and material selection without first consulting with NCI Canada Inc. NCI Canada reserves the right to change the enclosed valves information without notice. NCI Canada does not accept any liability or damages arising from the use of any valve information within this document. All trademarks and registered trademarks are owned by their respective companies.



MATERIAL SPECIFICATIONS			
NO.	PART NAME	MATERIAL	STANDARD
1	Bolts	Steel	ASTM A307 B
2	Identification Plate	Aluminum	COMMERCIAL
3	Bonnet	Cast Iron	ASTM A126 B
4	Body Gasket	Graphite	NON ASBESTOS
5	Nuts	Steel	ASTM A307 B
6	Side Plug	Brass	ASTM B16
7	Gasket	Fiber	NON ASBESTOS
8	Hanger Pin	Brass	ASTM B16
9	Hanger	Ductile Iron	ASTM A536
10	Disc	Cast Iron	ASTM A126 B
11	Disc Ring	Cast Bronze	ASTM B62
12	Washer	Steel	ASTM A307 B
13	Split Pin	Stainless Steel	ASTM 420 S42000
14	Seat Ring	Cast Bronze	ASTM B62
15	Nut	Steel	ASTM A307 B
16	Body	Cast Iron	ASTM A126 B
17	Bolt	Steel	ASTM A307 B

CKVA-FCI1330 Product Description

Class 125 rated (200 CWP) iron body check valve with flanged ends, bolted bonnet and are bronze mounted. Meets MSS-SP71 standards and has a renewable disc and seat*.

Working Pressure

• 125S, 200 WOG

Face to Face Dimensions

• Conforms to ANSI B16.10 (125 Lb).

Standard

• Conforms to MSS SP-71

- Install 5 pipe diameters minimum down downstream from pump discharge or change in direction to avoid flow turbulence.
- May be installed in both horizontal and vertical position with upward flow or in any intermediate position.

SIZE	DN	mm	51	63.5	76	102	127	152	203	254	305
		inch	2	2 ½	3	4	5	6	8	10	12
L	mm	203.2	215.9	241.3	292.1	330.2	355.6	495.3	622.3	698.5	
	inch	8.0	8.5	9.5	11.5	13.0	14.0	19.5	24.5	27.5	
D	mm	152	178	191	229	254	279	343	406	483	
	inch	6.0	7.0	7.5	9.0	10.0	11.0	13.5	16.0	19.0	
D1	mm	120.7	139.7	152.4	190.5	215.9	241.3	298.5	362	431.8	
	inch	4.8	5.5	6.0	7.5	8.5	9.5	11.8	14.3	17.0	
B	mm	15.8	17.5	19	23.9	23.9	25.4	28.5	30.2	31.8	
	inch	0.62	0.69	0.75	0.94	0.94	1.00	1.12	1.19	1.25	
N-D	mm	4-19	4-19	4-19	8-19	8-22	8-22	8-22	12-25	12-25	
	inch	4-3/4	4-3/4	4-3/4	8-3/4	8-7/8	8-7/8	8-7/8	12-1	12-1	
WEIGHT	lb	25.35	38.14	46.30	79.37	121.25	156.53	266.76	432.11	639.34	
	Kg	11.50	17.3	21.0	36.0	55.0	71.0	121.0	196	290	

* With Proper Machining Capabilities.

* Not to be used for reciprocation air compressor applications.

© 2018 NCI Canada Inc., Oakville, ON, Canada. All rights reserved. All valves information and its contents hereof are proprietary to NCI Canada Inc. Any unauthorized reproduction or disclosure, in whole or in part is strictly prohibited. All valves materials, images and data sheets in this catalogue / brochure is for general information and shall not be used for specific performance data and material selection without first consulting with NCI Canada Inc. NCI Canada reserves the right to change the enclosed valves information without notice. NCI Canada does not accept any liability or damages arising from the use of any valve information within this document. All trademarks and registered trademarks are owned by their respective companies.

Terms

BLV - Ball Valve

BFV - Butterfly Valve

BRZ. - Bronze

B.W. - Butt-Weld

°C - Degree Celsius

C.I. - Cast Iron (Gray Iron)

C.S. - Carbon Steel

CWP - Cold Working Pressure

D.I. - Ductile Iron

°F - Degree Fahrenheit

FF. FLG. - Flat Face Flange

N.R.S. - Non-Rising Stem

O.D. - Outside Diameter

OS&Y - Outside Screw & Yoke

PSI - Pounds Per Square Inch

RF. FLG. - Raised Face Flange

SB - Screw-in Bonnet

Spec. - Specification

S.S. - Stainless Steel

STD - Standard

S.W. - Socket-weld

SWP - Steam Working Pressure

Temp - Temperature

Thrd - Threaded

WOG - Water-Oil-Gas Service

WWP - Water Working Pressure

Standards

ANSI - American National Standards Institute

ASME - American Society of Mechanical Engineering

API - American Petroleum Institute

ASTM - American Society for Testing Material

AWWA - American Water Works Association

CSA - Canadian Standards Association

FM - Factory Mutual Fire Insurance Companies

MSS - Manufacturers Standardization Society of the Valve and Fittings Industry

NACE - The National Association of Corrosion Engineers

NFPA - National Fire Protection Association

NSF - National Sanitation Foundation, NSF/ANSI 61 Standard 61 for Potable Water Service

UL - Underwriters' Laboratories Inc.

ULC - Underwriters' Laboratories of Canada

UPC - Unified Plumbing Code by IAPMO

Pressure and Temperature Rating

Carbon Steel

A105 (A216 WCB CARBON STEEL)						
TEMP. (°F)	WORKING PRESSURE IN PSIG BY CLASS					
	150	300	600	900	1500	2500
-20 to 100	285	740	1480	2220	3705	6170
200	260	675	1350	2025	3375	5625
300	230	655	1315	1970	3280	5470
400	200	635	1270	1900	3170	5280
500	170	600	1200	1795	2995	4990
600	140	550	1095	1640	2735	4560
650	125	535	1075	1610	2685	4475
700	110	535	1065	1600	2665	4440
750	95	505	1010	1510	2520	4200
800	80	410	825	1235	2060	3430
850	65	270	535	805	1340	2230
900	50	170	345	515	860	1430
950	35	105	205	310	515	860
1000	20	50	105	155	260	430

Table from ANSI B16.34

Stainless Steel

A182 - F316 (A351 CF8M, CF3M STAINLESS STEEL)						
TEMP. (°F)	WORKING PRESSURE IN PSIG BY CLASS					
	150	300	600	900	1500	2500
-20 to 100	275	742	1440	2160	3600	6000
200	240	620	1240	1860	3095	5160
300	215	560	1120	1680	2795	4666
400	195	515	1030	1540	2570	4280
500	170	480	955	1435	2390	3980
600	140	450	905	1355	2255	3760
650	125	445	890	1330	2220	3700
700	110	430	865	1295	2160	3600
750	95	425	845	1270	2110	3520
800	80	415	830	1245	2075	3460
850	65	405	810	1215	2030	3320
900	50	395	790	1180	1970	3280
950	35	385	775	1160	1930	3220
1000	20	365	720	1090	1820	3030

Table from ANSI B16.34

Bronze Alloy

ASTM B62 AND B61 BRONZE ALLOY				
TEMP. (°F)	PRESSURE CLASS BY MATERIAL AND END STYLE			
	ASTM B62		ASTM B61	
	1252,3	1503	2003	3003
	Thread	Thread	Thread	Thread
-20 to 100	200	300	400	600
200	185	270	375	560
250	170	240	350	525
300	155	210	325	490
350	140	180	300	450
400	--	--	275	410
406	1251	1501	--	--
450	120	145	250	375
500	--	--	225	340
550	--	--	200	300

Table from MSS SP-80
 1. Some Codes (i.e. ASME BPVC, Section 1) limit the rating temperature of indicated material to 406°F.
 2. Buna-N disc valves limited to 180°F temperature.
 3. PTFE disc valves limited to 450°F temperature.
 4. The Pressure & temperature ratings of Solder end valves vary with the solder & the size.

Cast and Ductile Iron

CAST IRON AND DUCTILE IRON						
TEMP. (°F)	PRESSURE CLASS BY MATERIAL AND VALVE SIZE					
	Cast Iron					Ductile Iron
	Class 125			Class 250		Class 150
	2"-12"	14"-24"	30"-48"	2"-12"	14"-24"	2"-12"
-20 to 100	200	150	150	500	300	285
150	200	150	--	500	300	243
200	190	135	115	460	280	235
225	180	130	100	440	270	--
250	175	125	85	415	260	225
275	170	120	65	395	250	--
300	165	110	50	375	240	215
325	155	105	--	355	230	--
350	150	100	--	335	220	210
375	145	--	--	315	210	--
400	140	--	--	290	200	200
425	130	--	--	270	--	--
450*	125	--	--	250	--	185
500	--	--	--	--	--	170
550	--	--	--	--	--	155
600	--	--	--	--	--	140
650	--	--	--	--	--	125

The temperature shown for the corresponding rating shall be the material temperature of the pressure rating parts. It shall be assumed that the metal temperature will be the temperature of the contained fluid. Use of a pressure rating at a metal temperature other than that of the contained fluid shall be the responsibility of the user.
 1. Buna-N disc valves limited to 180 °F or PTFE disc valves limited to 450°F; * Maximum temperature for bronze trim or PTFE.

Cross Reference Chart

IRON GATE, GLOBE AND CHECK VALVES

NCI	NIBCO	CRANE	JENKINS	KITZ	RED & WHITE
Cast Iron Gate Valves (Class 125)					
GTVA-FCI1333-HW	F-617	465 1/2	454J	72	421JA
GTVB-FCI1333-HW	F-619	461	452J	75	415JA
Cast Iron Globe Valves (Class 125)					
GLBA-FCI1333-HW	F-718-B	351	2342J	76	400JA
Cast Iron Check Valves (Class 125)					
CKVA-FCI1330	T-918-B / F-918-B	372 / 373	588J / 587J	78	435JA

BRONZE, GATE, GLOBE AND CHECK VALVES

NCI	NIBCO	CRANE	JENKINS	KITZ	RED & WHITE
Bronze Gate Valves (Class 125, Class 150, Class 300)					
GTVA-(T/S)BZ2333	T/S-111, T/S-131	428, 1322, 431	810J, 813J, 2810J	24, 44, 25	
GTVB-(T/S)BZ2333	T/S113 & T/S-133	438, 1324, 437	310J, 313J, 2310J	40, 41, 46	280A, 281A
GTVA-(T/S)BZ2333U	T/S-134	431UB	47CUJ	42	298
GTVA-TBZ3333U	T-174A			37	
Bronze Globe Valves (Class 125, Class 150, Class 300)					
GLBA-T-BZ2360	T-235-Y	7TF	106BJ	9	221
GLBA-S-BZ2360	S-235-Y	1310	106BPJ	10	222
GLBA-T-BZ2330					
GLBA-S-BZ2330					
GLBA-TBZ3333U	T-276-A				
GLBA-TBZ3443U	T-276-AP	382P	592J	17S	
Bronze Check Valves (Class 125, Class 150, Class 300)					
CKVB-T-BZ2373	T-480-Y	29	119		
CKVB-S-BZ2373	S-480-Y				
CKVA-T-BZ2331	T-433-B	137	4092J	29	238
CKVA-S-BZ2331	S-433-B	1342	4093J	30	
CKVA-T-BZ2361	T-433-Y	141T	4475TJ		
CKVA-S-BZ2361	S-433-Y				
CKVA-T-BZ3330	T-473-B, T473-Y	76E	4962J		360

© 2018 NCI Canada Inc., Oakville, ON, Canada. All rights reserved. All valves information and its contents hereof are proprietary to NCI Canada Inc. Any unauthorized reproduction or disclosure, in whole or in part is strictly prohibited. All valves materials, images and data sheets in this catalogue / brochure is for general information and shall not be used for specific performance data and material selection without first consulting with NCI Canada Inc. NCI Canada reserves the right to change the enclosed valves information without notice. NCI Canada does not accept any liability or damages arising from the use of any valve information within this document. All trademarks and registered trademarks are owned by their respective companies.

BRONZE AND BRASS BALL VALVES

NCI	NIBCO	CRANE	JENKINS	KITZ	RED & WHITE	MAS
Bronze Ball Valves (2 Piece & 3 Piece Body)						
TFP-620	T-585-70			71		
SFP-620	S-585-70			32		
TFP-620-LL	T-585-70-LL			77C		
SFP-620-LL	S-585-70-LL					
TFP-620-SS	T-585-70-66	9302S				
SFP-620-SS	S-585-70-66	9322S				
TFP-630	T-590-Y			82		
SFP-630	S-590-Y					
Brass Ball Valves (2 Piece & 3 Piece Body)						
TFP600		F9201	201J	58	5044A	B3
SFP600		F9202	202J	59	5049A	B4
TFP601				58		
SFP601				59		
TFP601S			201SJ	68M		B3SS
SFP601S			202SJ	69M		B4SS
TFP600HC				68C	5046	
SFP600HC				69C		
TFP600D				68D	5050	B3D
SFP600D				69D		B4D

IRON BUTTERFLY VALVES

NCI (CI) / FLOW+ (DI)	NIBCO (CI/DI)	BRAY	CENTERLINE	CRANE	JENKINS	KITZ
Butterfly Valves (Wafer Style - 200 PSI)						
XX-B1546353	N200137LH / WD20203	30-SEL	L200W-E-SS-L	42SSZBL	2221ELJ	5132-EL
XX-B1546355	N200137GO / WD20205	30-SEG	L200W-E-SS-G	42SSZG	2221EGJ	5132-EG
XX-B2245353	N200147LH / WD21203	30-SBL	L200W-B-SS-L	42SSBL	2221BLJ	5132-BL
XX-B2245355	B200147GO / WD21205	30-SBG	L200W-B-SS-G	42SSBG	2221BGJ	5132-BG
Butterfly Valves (Lug Style - 200 PSI)						
XX-B1546353 / XX-C2245353	N200137LH / WD20203	31-SEL	L200L-E-SS-L	44SSZL	2231ELJ	6132-EL
XX-B1546355 / XX-C2245355	N200137GO / WD20205	31-SEG	L200L-E-SS-G	44SSZG	2231EGJ	6132-EG
XX-C2245313	N200147LH / WD21203	31-SBL	L200L-B-SS-L	44SSBL	2231BLJ	6132-BL
XX-C2245315	B200147GO / WD21205	31-SBG	L200L-B-SS-G	44SSBG	2231BGJ	6132-BG

© 2018 NCI Canada Inc., Oakville, ON, Canada. All rights reserved. All valves information and its contents hereof are proprietary to NCI Canada Inc. Any unauthorized reproduction or disclosure, in whole or in part is strictly prohibited. All valves materials, images and data sheets in this catalogue / brochure is for general information and shall not be used for specific performance data and material selection without first consulting with NCI Canada Inc. NCI Canada reserves the right to change the enclosed valves information without notice. NCI Canada does not accept any liability or damages arising from the use of any valve information within this document. All trademarks and registered trademarks are owned by their respective companies.

Quality Products by NCI Canada Inc.

Fire Protection Valves

- FP. Brass and Bronze Ball Valves
- FP. Bronze Gate, Globe and Check valves
- FP. Iron Gate Valves and Indicator Posts
- FP. Resilient Seat Gate Valves
- FP. Butterfly Valves
- FP. Check valves



Metal Fittings

- Grooved Couplings and Fittings
- Press System
- H.P. Copper Fittings for ACR applications
- Schedule 40, 80 and XXH Seamless Steel Nipples
- Schedule 40 Welded Steel Nipples
- Bronze Fittings and Brass Nipples
- Weld Outlets



Commercial and Industrial Valves

- Brass and Bronze Ball Valves
- Bronze Gate, Globe and Check Valves
- Cast Iron Gate, Globe and Check valves
- Commercial Butterfly Valves
- Gas Ball Valves
- Carbon Steel and Stainless Steel Ball Valves
- Carbon Steel and Stainless Steel Gate, Globe and Check Valves
- Double Door and Silent Check valves
- Y-Strainers and Basket Strainers

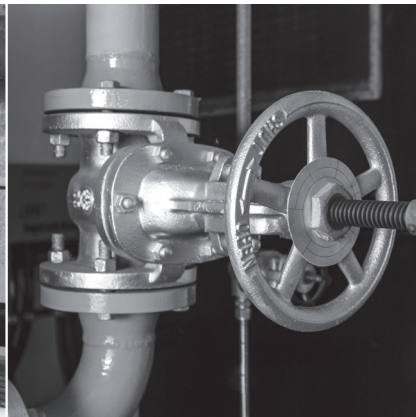
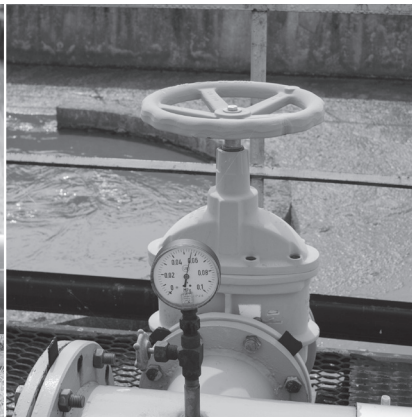
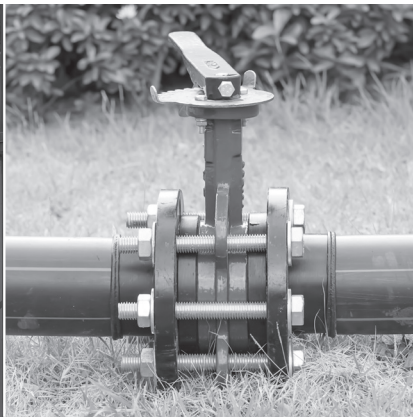


Plastic Pipe, Valves and Fittings

- ABS Fittings
- PVC Schedule 40 & 80 Valves and Fittings
- CPVC-CTS Pipe and Fittings
- CPVC Schedule 80 Valves and Fittings
- PP Schedule 80 Pipe, Valves and Fittings
- PVDF Schedule 80 Pipe, Valves and Fittings
- Flexible Couplings and Connectors
- PVC & Nylon Insert Fittings



NCI Canada is an authorized distributor of the following premium brands:



For more information, visit us at NCICanada.com



Central Region Headquarters

2305 Wyecroft Road
Oakville, Ontario Canada L6L 6R2

Western Region Office & Warehouse

7136-56 Avenue NW
Edmonton, Alberta T6B 1E4

Local: (905) 727-5545
Toll-Free: (800) 268-3509
Fax: (905) 727-4088
Email: sales@ncicanada.com